

Yolculuk Bizimle Başlar!

DOMETIC Whale

BABARVY ALKO Eberspächer

LIPPERT truma indelB

THULE SWEDEN victron energy BLUE POWER

SOLARA CBE Fischer Panda

THETFORD ARANA

COMET SMART • EQUIPMENT • SOLUTIONS ACRYFORM PLASTOFORM autoterm

POLYPLASTIC Linetech ECOFLOW Bio

ABL SANJO ilse REICH jokon Competence in Lighting

FIAMMA EP Kampa



Markalar üzerine tıklayarak ilgili kataloğa ulaşabilirsiniz.



WATER

[Electric Pumps](#)

[Manuel Pumps](#)

[Plumbing](#)

[Water System Accessories](#)

[Taps](#)

EASI-SLIDE

[Easi-Slide Sockets](#)

HEAT

[Space Heating](#)

[Water Heating](#)

[Control Panels](#)

SPARES

[Spares](#)



At Whale, we pride ourselves on our ability to offer our full range of products to a wide range of vehicle makes and models. Whether you own a caravan, motorhome, camper van or are undertaking a van conversion, Whale can help you - even if your vehicle was not originally equipped with Whale, many of our products can be retrofitted, providing the perfect upgrade.

Whether you are looking to upgrade your water pumps, free up some additional space in your leisure vehicle with a new underfloor space heater, or reduce the time taken to heat up your hot water, Whale has a range of options to help you.

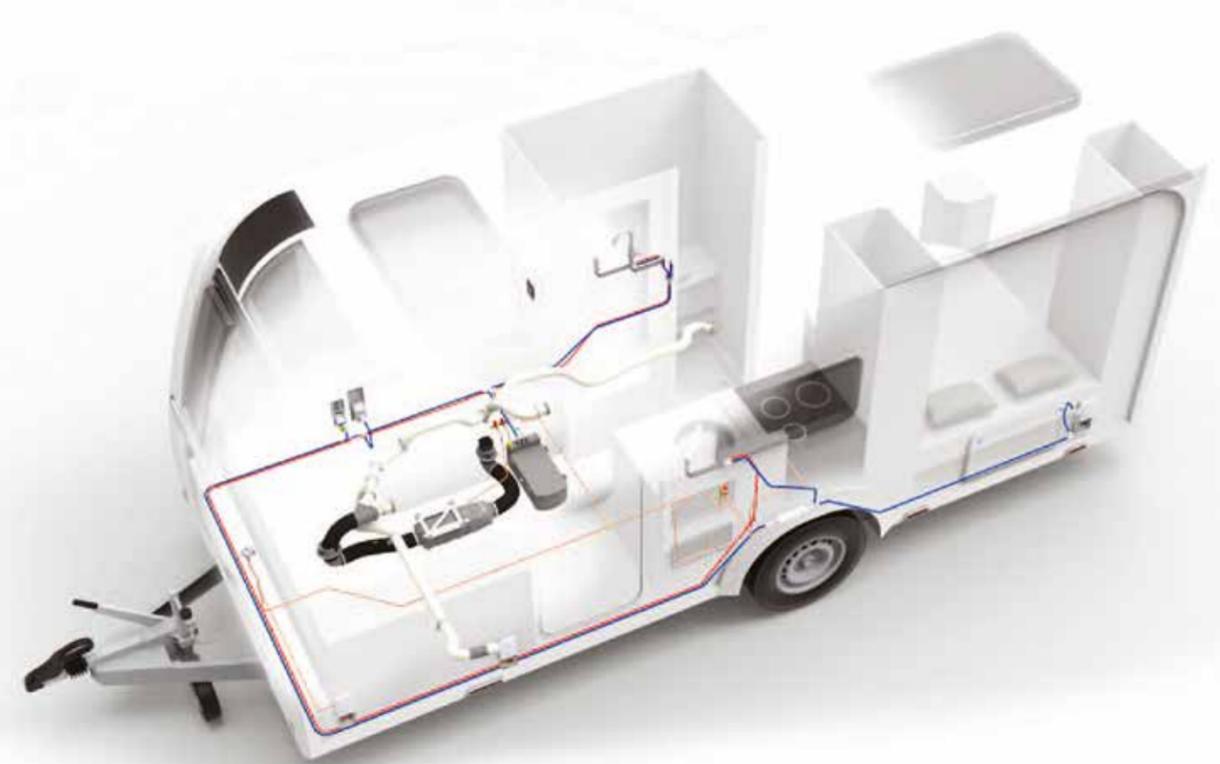
CARAVAN



MOTORHOME



INTERNAL PRODUCT LAYOUT



VAN CONVERSION



CAMPERVAN

**WATER**[Electric Pumps](#)[Manuel Pumps](#)[Plumbing](#)[Water System
Accessories](#)[Taps](#)**EASI-SLIDE**[Easi-Slide Sockets](#)**HEAT**[Space Heating](#)[Water Heating](#)[Control Panels](#)**SPARES**[Spares](#)**WATER SYSTEMS**

For decades, Whale have been leading the way with water pumps and supply products, including manual and electric pumps, plumbing and accessories, all manufactured to the highest quality standards. Whether you are camping off grid or on a fully serviced pitch, you can enjoy your freedom knowing you have a Whale product onboard.

WATER

[Electric Pumps](#)

[Manuel Pumps](#)

[Plumbing](#)

[Water System Accessories](#)

[Taps](#)

EASI-SLIDE

[Easi-Slide Sockets](#)

HEAT

[Space Heating](#)

[Water Heating](#)

[Control Panels](#)

SPARES

[Spares](#)

SUBMERSIBLE PUMP RANGE

OUR MOST LIGHTWEIGHT, HIGH PERFORMANCE, ELECTRIC IMPELLER PUMPS ARE IDEAL FOR PUMPING WATER FROM AN EXTERNAL CONTAINER OR ONBOARD WATER TANK.

- ▶ Operates with a microswitched tap, pressure switch or with a separate switch
- ▶ Suitable for use with both pressure switch and microswitch systems
- ▶ Simple, compact and economical solution
- ▶ Higher flow rates, long life, very quiet with low power consumption
- ▶ An inexpensive way to update a manual system to an electric system
- ▶ One, two or three outlets - there are options available for all your requirements

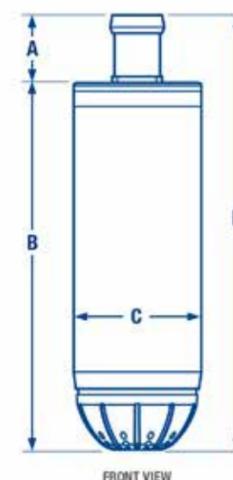
Model	Standard	Premium		High Flow
PART NUMBER	GP1002	GP1352	GP1354	GP1652
Weight	0.15kg (0.3 lbs)			
Voltage	12V d.c.	12V d.c.	24V d.c.	12V d.c.
Fuse Size	5 amp automotive		3 amp automotive	5 amp automotive
Cable Length	1m (3ft)			
Hose Connection	Suitable for 10 mm (3/8") or 13 mm (1/2") Flexible Hose			
Plumbing Connection	WU1211 (Stem Adaptor 11mm - 12 mm) see page 37			
Materials	Pump Body: ABS, Seals: Nitrile®, Strainer: Polypropylene, Impeller: PBT, Cable: PVC			

PART NUMBER	Performance			
	GP1002	GP1352	GP1354	GP1652
Max Discharge Head	Flow rate / Current draw at 12V d.c.		Flow rate / Current draw at 12V d.c.	
0 m (0ft)	10.3 ltrs/min (2.4 amps)	13.2 ltrs/min (3.6 amps)	15.8 ltrs/min (3.8 amps)	
1 m (3ft)	8.0 ltrs/min (2.2 amps)	11.7 ltrs/min (3.3 amps)	14.8 ltrs/min (3.7 amps)	
3 m (9ft)	5.7 ltrs/min (2.0 amps)	9.7 ltrs/min (2.9 amps)	12.8 ltrs/min (3.5 amps)	

Please note: Pump performance may vary depending on the plumbing system and restrictions on outlets in your leisure vehicle.



	A	B	C	D
Standard	20mm (3/4")	88mm (3 3/8")	36mm (1 3/8")	108mm (4 1/4")
Premium/High Flow	20mm (3/4")	109mm (4 3/8")	36mm (1 3/8")	129mm (5 1/8")





WATER

[Electric Pumps](#)

[Manuel Pumps](#)

[Plumbing](#)

[Water System Accessories](#)

[Taps](#)

EASI-SLIDE

[Easi-Slide Sockets](#)

HEAT

[Space Heating](#)

[Water Heating](#)

[Control Panels](#)

SPARES

[Spares](#)

INLINE BOOSTER PUMP RANGE

OUR HIGH PERFORMANCE ELECTRIC IMPELLER PUMPS ARE FITTED INLINE TO A VEHICLE'S PIPEWORK TO BOOST FLOW RATE.

- ▶ Simple, compact and low-cost
- ▶ Low power consumption and very quiet
- ▶ Extra flow for multiple outlets
- ▶ Fits unsupported into pipework neatly
- ▶ Operates with a microswitched tap, pressure switch or with a separate switch

Designed for use inline above a submersible electric pump (see page 12) or a manual foot pump (see page 34)

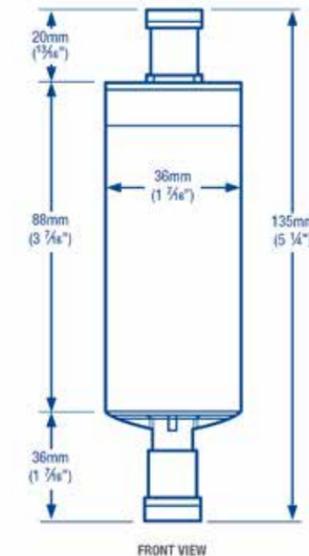
Model	Inline Premium		Inline High Flow
PART NUMBER	GP1392	GP1394	GP1692
Weight	0.15kg (0.3 lbs)		
Voltage	12V d.c.	24V d.c.	12V d.c.
Fuse Size	5 amp automotive	3 amp automotive	5 amp automotive
Cable Length	1m (3ft)		
Hose Connection	Suitable for 10 mm (3/8") or 13 mm (1/2") Bore Hose		
Plumbing Connection	WU1211 (Stem Adaptor 11mm - 12 mm) see page 37		
Materials	Pump Body: ABS, Seal: Nitrile®, PBT		

	Performance		
PART NUMBER	GP1392	GP1394	GP1692
Max Discharge Head	Flow rate / Current draw at 12V d.c.		Flow rate / Current draw at 12V d.c.
0 m (0ft)	13.2 ltrs/min (3.6 amps)	13.2 ltrs/min (1.8 amps)	15.7 ltrs/min (3.8 amps)
1 m (3ft)	11.7 ltrs/min (3.3 amps)	11.7 ltrs/min (1.6 amps)	14.7 ltrs/min (3.7 amps)
3 m (9ft)	9.7 ltrs/min (2.9 amps)	9.7 ltrs/min (1.45 amps)	12.7 ltrs/min (3.5 amps)

Please note: Pump performance may vary depending on the plumbing system and restrictions on outlets in your leisure vehicle.



INLINE BOOSTER PUMP



WATER





WATER

[Electric Pumps](#)

[Manuel Pumps](#)

[Plumbing](#)

[Water System Accessories](#)

[Taps](#)

EASI-SLIDE

[Easi-Slide Sockets](#)

HEAT

[Space Heating](#)

[Water Heating](#)

[Control Panels](#)

SPARES

[Spares](#)

WATERMASTER® EXTERIOR WATER PUMP RANGE

THE WATERMASTER EXTERIOR WATER PUMP RANGE SIMPLIFIES THE CONNECTION FROM AN OUTSIDE WATER CONTAINER INTO YOUR LEISURE VEHICLE.

- ▶ Operates with a microswitched tap, pressure switch or with a separate switch
- ▶ Suitable for microswitch or pressurised systems
- ▶ Choice of flow rate to suit either one outlet or a system with two or more outlets including a shower
- ▶ Incorporates an anti air-locking pump enhancing the performance of the Whale water system
- ▶ Easy fit plug stays secure and hosts a built-in hose holder
- ▶ Extra flexible hose
- ▶ Protected electrics
- ▶ High quality dust cover
- ▶ Safety strainer

Model	Watermaster Exterior Water Pump
PART NUMBER	EP1612, EP1622, EP1642
Weight	0.5kg (1.0 lbs)
Fuse Size	5 amp automotive
Materials	Pump Body: ABS, Seals: Nitrile® Strainer: Polypropylene, Impeller: Stainless Steel/Unfil lled PP, Cable: PVC, Grease Seal: Nitrile®, Wire: PVC insulated copper, Hose: PVC, Plug: PBT or ABS (EP1642 only)

	Performance
PART NUMBER	EP1612, EP1622, EP1642
Max Discharge Head	Flow rate / Current draw at 12V d.c.
0 m (0ft)	15.8 ltrs/min (3.8 amps)
1 m (3ft)	14.8 ltrs/min (3.7 amps)
3 m (9ft)	12.8 ltrs/min (3.5 amps)

Please note: Pump performance may vary depending on the plumbing system and restrictions on outlets in your leisure vehicle.

EASI-PUSH - EP1612



COMPATIBLE WITH WHALE WATER SOCKETS

EASI-SQUEEZE - EP1622



COMPATIBLE WITH TRUMA® CRYSTAL II SOCKETS

EASI-PRESS - EP1642



COMPATIBLE WITH TRUMA® ULTRAFLOW SOCKETS



WATER

Electric Pumps

Manuel Pumps

Plumbing

Water System Accessories

Taps

EASI-SLIDE

Easi-Slide Sockets

HEAT

Space Heating

Water Heating

Control Panels

SPARES

Spares

WATERMASTER® IC PUMP CONTROLLER KIT

THE WATERMASTER IC UNIT INTELLIGENTLY CONTROLS THE SUBMERSIBLE PUMP FOR TROUBLE FREE OPERATION AND PEACE OF MIND. NEVER ADJUST YOUR PRESSURE SWITCH AGAIN!

- ▶ Stops the pump pulsating at high voltages
- ▶ Stops the pump running continuously at low voltages
- ▶ Detects when the water container has run dry and turns pump off
- ▶ Surge damper no longer required
- ▶ Protects and prolongs the submersible pump
- ▶ Helps lengthen battery life
- ▶ Built-in fault diagnostics system
- ▶ Service free, one-step calibration process

KIT INCLUDES:

- ▶ Watermaster IC unit
- ▶ Watermaster High Flow submersible pump

Model	Watermaster Pump Controller (with Intelligent Control)
PART NUMBER	EP1632
Weight	0.65kg (1.4 lbs)
Voltage	Voltage range 9.5V d.c. to 14.5V d.c. (normal operation) / Voltage range 8.5V d.c. to 9.5V d.c. (limited operation)
Fuse Size	5 amp / automotive
Materials	Pump body: ABS, Seals: Nitrile®, Strainer: Polypropylene, Impeller: PBT, Cable: PVC, Seal: Nitrile®, Wire: PVC insulated copper, Hose: PVC, Plug: PBT, Watermaster IC: Polycarbonate
Nominal Current	Operating 3.7 amps, Standby 0.007 amps
Operating Temperature Range	3°C to 40°C
Storage Temperature Range	-30°C to 60°C
Accessories	WF1230 – 12mm inline water filter

	Performance
Max Discharge Head	Flow rate / Current draw at 12V d.c.
0 m (0ft)	15.8 ltrs/min (3.8 amps)
1 m (3ft)	14.8 ltrs/min (3.7 amps)
3 m (9ft)	12.8 ltrs/min (3.5 amps)



WHALE WATERMASTER IC IS COMPATIBLE WITH AND EASILY RETROFITTED TO A WHALE WATERMASTER PRESSURE SWITCH SOCKET AND A WHALE WATERMASTER HIGH FLOW PUMP (EP1612) ONLY.

WATER

Electric Pumps

Manuel Pumps

Plumbing

Water System Accessories

Taps

EASI-SLIDE

Easi-Slide Sockets

HEAT

Space Heating

Water Heating

Control Panels

SPARES

Spares

WATERMASTER® MAINS WATER HOOK-UP

THE EASY WAY TO CONNECT YOUR LEISURE VEHICLE TO MAINS WATER ON SERVICED PITCHES. SIMPLY HOOK UP FOR A CONSTANT WATER SUPPLY WITHOUT CARRYING HEAVY CONTAINERS, DRAINING YOUR BATTERY OR RUNNING DRY.

- ▶ Suitable for use with caravans and motorhomes with either microswitch or pressure switch systems
- ▶ Built-in factory set pressure regulator that regulates mains water pressure to nominal 1.5 bar (max. 1.8 bar)
- ▶ Unique Easi-Push Plug Connector
- ▶ Safe and reliable water supply
- ▶ Lay flat hose for easy storage

KIT INCLUDES:

- ▶ 7.5m lay flat hose
- ▶ Whale plug
- ▶ Tap to hose connector
- ▶ Plug adaptor compatible with Truma® Ultraflow Sockets

Model	Watermaster Mains
PART NUMBER	EM9433
Weight	0.9kg (1.91 lbs)
Hose Length	7.5m (23ft)
Hose Connections	3/4" bsp threaded
Max. Mains Water Supply Pressure	8 bar (116 psi)
Materials	Plug: NB275, EPDM 70, PBT, Stainless Steel. Hose: PVC



WATER



WATER

Electric Pumps

Manuel Pumps

Plumbing

Water System Accessories

Taps

EASI-SLIDE

Easi-Slide Sockets

HEAT

Space Heating

Water Heating

Control Panels

SPARES

Spares

PORTABLE PUMP KIT

THE VERSATILE SELF-VENTING PORTABLE PUMP KIT MAKES ELECTRICAL CONNECTION EVEN EASIER AND CAN BE USED IN A VARIETY OF APPLICATIONS INCLUDING FILLING AN ONBOARD TANK OR WASHING DOWN A CAR, CARAVAN, MOTORHOME, CAMPERVAN OR BOAT.

- ▶ Simple to use
- ▶ Great performance and low voltage pump
- ▶ Easy to maintain with a wipe clean hose and nozzle
- ▶ Suitable for cold and warm water, diesel, light oils and water-based fluids including most water based pesticides

KIT INCLUDES:

- ▶ Low voltage High Flow submersible pump
- ▶ Nozzle with adjustable on/off, fine spray or a jet of water
- ▶ 3.75m (12.5 ft) food quality clear hose
- ▶ 3.75m (12.5 ft) cable with battery clips and cigar lighter connector

Model	Portable Pump Kit
PART NUMBER	GP1642
Weight	0.7kg (1.5 lbs)
Voltage	12V d.c.
Fuse Size	5 amp automotive
Power Connection	Crocodile Clips and Cigar Light Plug
Materials	Stainless Steel, Nitrile®, PVC, Polypropylene, ABS

Performance	Flow Rate / Current Draw
0 m (0ft)	15.8 ltrs/min (3.8 amps)
3 m (9ft)	12.8 ltrs/min (3.5 amps)

Please Note: If the Portable Pump Kit has been used for diesel transfer you must not re-use for water or any other liquid transfer. Portable Pump Kit is not suitable for petrol.



TYPICAL APPLICATIONS



PUMPING DIESEL



WASH DOWN



FILLING ONBOARD TANK



WATER

Electric Pumps

Manuel Pumps

Plumbing

Water System Accessories

Taps

EASI-SLIDE

Easi-Slide Sockets

HEAT

Space Heating

Water Heating

Control Panels

SPARES

Spares

SUPERFIL PUMP KIT

THE WHALE SUPERFIL WATER PUMP IS THE EASY PORTABLE SOLUTION TO FILL ONBOARD TANKS OR CONTAINERS FROM AN EXTERNAL SUPPLY.

- ▶ Easy to use
- ▶ Compact for storage
- ▶ Reliable 13 ltrs/min flow rate submersible pump

KIT INCLUDES:

- ▶ 12V d.c. Premium Flow submersible pump
- ▶ 1.5m black easy to store, non-kink hose and 1.38m cable
- ▶ Two pin plug and 12V d.c. socket for installation

Model	Superfil Pump Kit
PART NUMBER	GP1332
Weight	0.15kg (0.3 lbs)
Voltage	12V d.c.
Fuse Size	5 amp automotive
Pump	Submersible
Materials	Pump Body: ABS, Seals: Nitrile® Impeller: Stainless Steel, Hose: PVC and Polypropylene

Performance	Flow Rate / Current Draw
0 m (0ft)	13.2 ltrs/min (1.8 amps)
3 m (9ft)	9.7 ltrs/min (1.45 amps)





WATER

[Electric Pumps](#)

[Manuel Pumps](#)

[Plumbing](#)

[Water System Accessories](#)

[Taps](#)

EASI-SLIDE

[Easi-Slide Sockets](#)

HEAT

[Space Heating](#)

[Water Heating](#)

[Control Panels](#)

SPARES

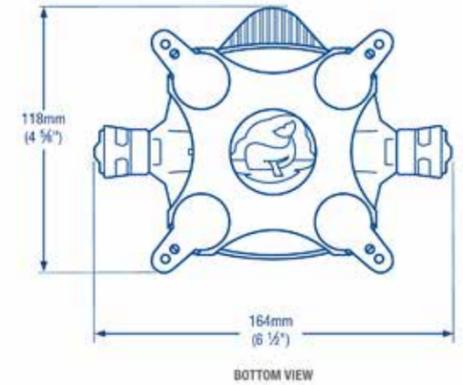
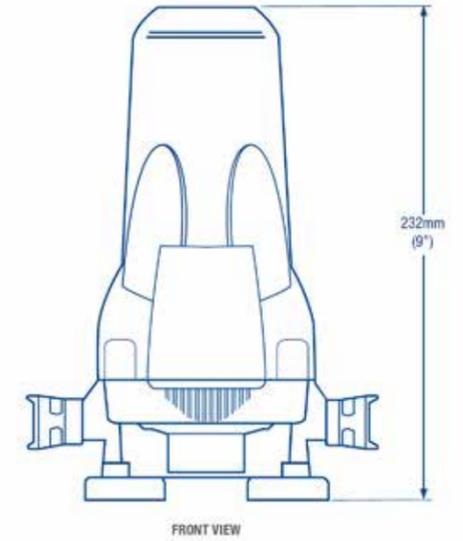
[Spares](#)

WATERMASTER® ONBOARD WATER PUMP

THE WATERMASTER ONBOARD PUMP DELIVERS A SMOOTH, CONSISTENT FLOW OF WATER TO YOUR LEISURE VEHICLE AND CAN RUN DRY WITHOUT DAMAGE.

- ▶ Vertically mounted to fit into tight spaces
- ▶ Quick Connect 12mm ports for faster installation
- ▶ Rubber feet to absorb vibrations
- ▶ Fully sealed, protective motor housing

Model	Watermaster Onboard
PART NUMBER	FP0814
Weight	1.48kg (3.2 lbs)
Voltage	12V d.c.
Fuse Size	5 amp automotive
Open Flow Rate	8 ltrs/min
Cut Out Pressure	2 bar (30psi)
Current Draw	4 amps
Inlet/Outlet Size	Whale® Quick Connect™ 12 mm Female
Hose Connections	For 1/2" flexible hose use WU1282 (supplied with pump) For 3/8" flexible hose use WU1280 (not supplied with pump)
Semi-rigid Pipework System Connections	For Whale Quick Connect 12mm NO ADAPTOR REQUIRED 12mm semi-rigid pipe WX7112 (not supplied with pump)
Materials	Glass-filled Polypropylene, Monprene® Nitrile®, Stainless Steel
Max. Wire Size	2.5 mm ² (13AWG)
Max. Discharge Head	20 m (66 ft)
Max. Suction Lift	3 m (10 ft)
Service Kits	Microswitch Kit AK1317, Full head service kit AK1318 Strainer replacement AK1320



Please note: Pump performance may vary depending on the plumbing system and restrictions on outlets in your leisure vehicle.



WATER

[Electric Pumps](#)

[Manuel Pumps](#)

[Plumbing](#)

[Water System Accessories](#)

[Taps](#)

EASI-SLIDE

[Easi-Slide Sockets](#)

HEAT

[Space Heating](#)

[Water Heating](#)

[Control Panels](#)

SPARES

[Spares](#)

AQUASMART

THE AUTOMATIC FRESHWATER PRESSURE PUMP THAT OFFERS BETTER ALL-ROUND FLOW RATES TO YOUR LEISURE VEHICLE FOR SUPERIOR SHOWERING.

- ▶ Self-priming pump, pressure switch and carbon filter (WF3000) all-in-one unit
- ▶ Compatible with Whale Watermaster, Truma Crystal II® and Truma Ultraflow sockets
- ▶ Upgrades existing microswitch / pressure switch systems
- ▶ Runs dry without damage
- ▶ Easily replaceable carbon filter which removes nasty tastes and impurities

KIT INCLUDES:

- ▶ Fresh Water Pump FP0814
- ▶ Fresh Water Filter to socket connector UH0814
- ▶ Fresh Water Filter WF3000



Fresh Water Pump - FP0814



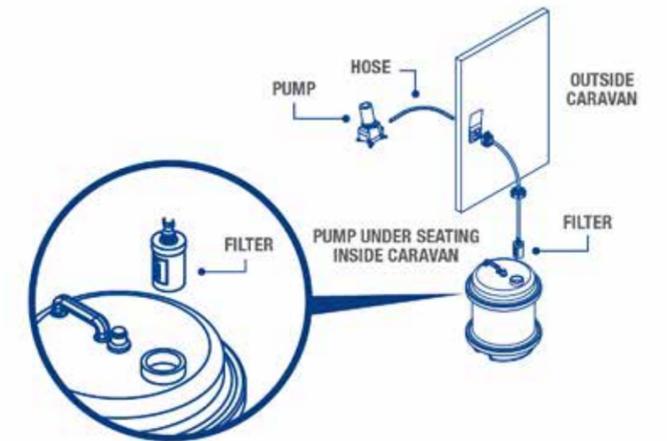
Fresh Water Filter to socket connector - UH0814

Fresh Water Filter (WF3000)



Easy change filter

Please note: This is NOT a bacterial filter



WATER

**WATER**[Electric Pumps](#)[Manuel Pumps](#)[Plumbing](#)[Water System Accessories](#)[Taps](#)**EASI-SLIDE**[Easi-Slide Sockets](#)**HEAT**[Space Heating](#)[Water Heating](#)[Control Panels](#)**SPARES**[Spares](#)**WHALE FILTER WITH EASI-PRESS PLUG**

EXTERIOR WATER CONNECTION WITH FILTER FOR USE WITH WATER SYSTEMS FEATURING ONBOARD PUMPS. SIMPLE TO INSTALL, MADE FOR TRUMA ULTRAFLOW SOCKETS.

- ▶ Silverised Carbon Filter removes unpleasant tastes and smells, filters 3000 litres
- ▶ Easy Installation, simply twist to replace
- ▶ Handy Hose Holder to keep pump off the ground when refilling water
- ▶ Unique Whale Easi-Press™ secure connection and release
- ▶ Protective Plug Cover ensures seal is protected and prevents o-rings from drying out when stored

Model	Whale Filter with Easi-Press™ Plug
PART NUMBER	UH0042
Materials	Hose: PVC; Handset: ABS, Nitrile; Filter: PP, Carbon filter, Nitrile

Please note: This product is designed for use with water only. These filters are not designed for removing bacteria and should not be used on water supplies of an unknown bacteria quality.



WATER



WATER

[Electric Pumps](#)

[Manuel Pumps](#)

[Plumbing](#)

[Water System Accessories](#)

[Taps](#)

EASI-SLIDE

[Easi-Slide Sockets](#)

HEAT

[Space Heating](#)

[Water Heating](#)

[Control Panels](#)

SPARES

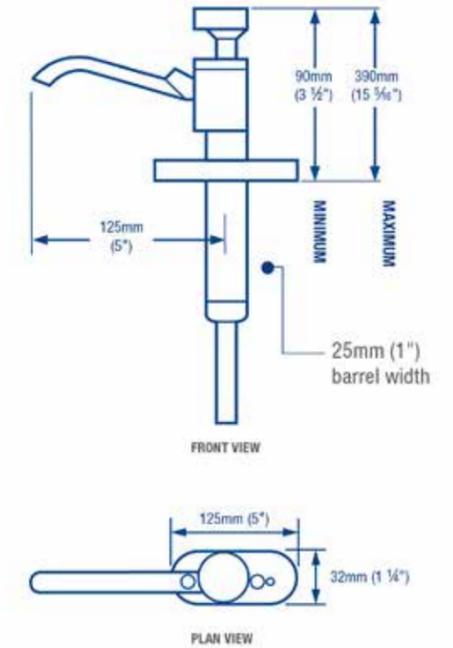
[Spares](#)

V PUMP

WHALE'S VERTICAL SELF-PRIMING HAND PUMP, IDEAL FOR APPLICATIONS WHERE SPACE IS LIMITED.

- ▶ Angled spout and adjustable height provide various options for installation
- ▶ Narrow mounting base allows installation for use between two sinks
- ▶ Extended spout makes for easy filling of containers
- ▶ Delivers a smooth flow on each stroke
- ▶ Useful as a back-up pump for electric freshwater systems

Model	V Pump
PART NUMBER	GP0650
Weight	0.26kg (0.6 lbs)
Hose Connections	Suitable for Quick Connect 15 mm Plumbing and 13 mm (1/2") Flexible Hose
Materials	Pump Body: Acetal, Pump Barrel: Anodized Aluminium Alloy, Seals: Neoprene, Nitrile®, Fasteners: Stainless Steel
Max. Discharge Head	4 m (13 ft)
Max. Suction Lift	3 m (10 ft)
Flow Rate	8 ltrs/min



WATER



WATER

Electric Pumps

Manuel Pumps

Plumbing

Water System Accessories

Taps

EASI-SLIDE

Easi-Slide Sockets

HEAT

Space Heating

Water Heating

Control Panels

SPARES

Spares

BABYFOOT® PUMP

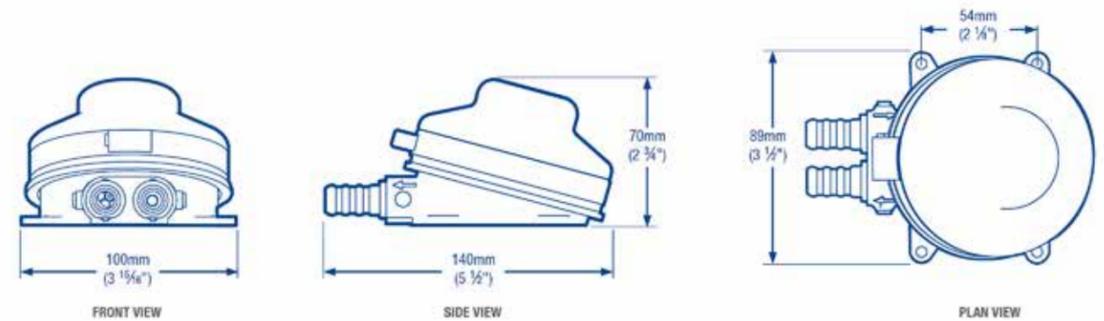
SELF-PRIMING, COMPACT FOOT OPERATED WATER PUMP
DESIGNED FOR EASY INSTALLATION AND SMOOTH OPERATION.

- ▶ Ideal for installation where space is limited
- ▶ Angled design ensures more comfortable operation
- ▶ Ideal as a priming pump for use with Whale Inline electric booster pumps (see page 14)
- ▶ Suitable for pumping freshwater and saltwater

Model	Babyfoot Pump
PART NUMBER	GP4618
Weight	0.3kg (0.7 lbs)
Hose Connections	Suitable for 13 mm (½") Flexible Hose
Materials	Pump Body: Nylon, Ports: Acetal, Seals: Neoprene, Fasteners: Stainless Steel
Max. Discharge Head	3 m (10 ft)
Max. Suction Lift	1.5 m (5 ft)
Flow Rate	8 ltrs/min



WARNING
NOTE: NOT FOR USE IN PRESSURIZED SYSTEMS





WATER

[Electric Pumps](#)

[Manuel Pumps](#)

[Plumbing](#)

[Water System Accessories](#)

[Taps](#)

EASI-SLIDE

[Easi-Slide Sockets](#)

HEAT

[Space Heating](#)

[Water Heating](#)

[Control Panels](#)

SPARES

[Spares](#)

QUICK CONNECT PLUMBING SYSTEM

WHALE QUICK CONNECT FITTINGS PROVIDE FAST AND SIMPLE INSTALLATION, ENSURING HIGH INTEGRITY, RELIABLE, PLUMBING SYSTEM SOLUTIONS, SPECIFICALLY DESIGNED FOR USE IN MOBILE APPLICATIONS.

SAVE TIME AND MONEY BY USING WHALE QUICK CONNECT

- ▶ No pipe inserts or collet clips required, reducing part count, cost and installation time
- ▶ No special tools required to make a watertight connection
- ▶ 10 Year Warranty for peace of mind

RELIABLE AND DURABLE

- ▶ Unique 'Double Gripper' design provides secure lifelong pipework retention even at excessive pressures
- ▶ Innovative 'cage collet' eliminates leaks where fittings are installed close to tight bends
- ▶ High integrity single piece moulding improves the strength of the fittings
- ▶ Outer sleeve incorporates collet cover, preventing accidental pipework release
- ▶ Pipework includes measured cut marks, designed to be a visual guide to ensure that fittings are pushed fully home

WHALE QUICK CONNECT SEMI-RIGID PIPEWORK

- ▶ No pipe inserts required
- ▶ Whale Quick Connect color coded semi-rigid pipework is available in 12mm Medium Density Polyethylene (MDPE)
- ▶ The pipework's flexibility enables tight bends to be formed, reducing fittings and installation time
- ▶ Whale Quick Connect semi-rigid pipework offers the integrity of metal, but the usability of plastic, and is fully tested and recommended for use with the complete range of Whale fittings.

MINIMUM BEND RADII RECOMMENDATIONS

All grades of Whale Quick Connect semi-rigid pipework are flexible and can be bent into a tight radius to facilitate easy installation. This reduces the number of fittings required and the total cost of the water system.

Minimum Bend Radius	
Quick Connect 12mm Pipework	75mm

Materials	
Whale Quick Connect Fittings	Glass-Filled Polypropylene
Whale Quick Connect Pipework	Polyethylene

Maximum Operating Conditions	Maximum Pressure	Maximum Temperature
Hot Water	6 bar (90 psi)	65°C (150°F)
Cold Water	12 bar (180 psi)	20°C (68°F)

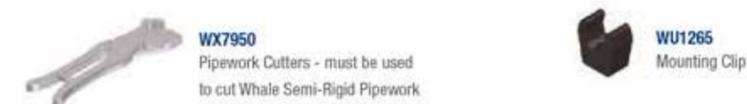
QUICK CONNECT FITTINGS 12MM



COLOUR CODED TUBING



TOOLS



Note: All brass connectors are lead-free.



WATER

[Electric Pumps](#)

[Manuel Pumps](#)

[Plumbing](#)

[Water System Accessories](#)

[Taps](#)

EASI-SLIDE

[Easi-Slide Sockets](#)

HEAT

[Space Heating](#)

[Water Heating](#)

[Control Panels](#)

SPARES

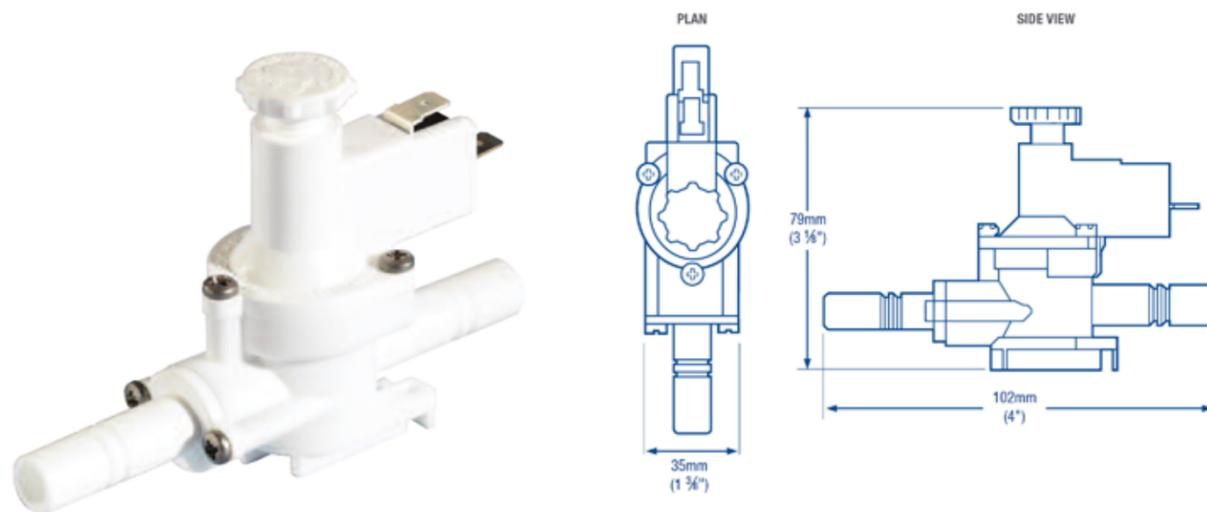
[Spares](#)

INLINE PRESSURE SWITCH

FITTING AN INLINE PRESSURE SWITCH ALLOWS REGULATION OF THE PRESSURE IN YOUR LEISURE VEHICLE'S WATER SYSTEM. IT CAN BE USED WITH EITHER SUBMERSIBLE OR INLINE SELF VENTING PUMPS.

- ▶ Adjustable cut in / cut out pressure setting
- ▶ Suitable for installation into 12mm Whale Quick Connect or 1/2" flexible hose systems
- ▶ Controls the pump turning it on and off by sensing changes in water system pressure
- ▶ Recommended for use with Whale submersible and inline booster pumps (see pages 12-15)

Model	Inline Pressure Switch
PART NUMBER	WU7207
Weight	0.063 kg (0.14 lbs)
Hose Connections	Suitable for Whale Quick Connect 12 mm and 10 mm (3/8") Flexible Hose
Materials	Body: Acetal, Seals and Valves: Nitrile®, EPDM Spring: Phosphor Bronze, Fasteners: Stainless Steel
Current Rating	10 amp: 12 V d.c. systems, 5 amp: 24 V d.c. systems
Maximum Pressure	2 bar (30 psi)



AQUASOURCE CLEAR WATER FILTER

INLINE, SILVERISED CARBON FILTERS DESIGNED TO REMOVE UNPLEASANT TASTES AND SMELLS FROM YOUR WATER SUPPLY. SIMPLE TO INSTALL AND MAINTENANCE FREE.

- ▶ Can be mounted vertically or horizontally
- ▶ Suitable for use with Whale Quick Connect and flexible pipework
- ▶ Change after one full season or every 4500 litres
- ▶ Installed in the freshwater plumbing pipework, usually under the sink

Model	Aquasource Clear Water Filter
PART NUMBER	WF1230
Pipe System Used	Quick Connect 12 mm
Fitting Requirement	Connects Directly Using Whale Quick Connect 12 mm Fittings Stainless Steel Hose Clips
Maximum Pressure	4 bar (60 psi)

Please note: This product is designed for use with water only. These filters are not designed for removing bacteria and should not be used on water supplies of an unknown bacteria quality.





WATER

[Electric Pumps](#)

[Manuel Pumps](#)

[Plumbing](#)

[Water System Accessories](#)

[Taps](#)

EASI-SLIDE

[Easi-Slide Sockets](#)

HEAT

[Space Heating](#)

[Water Heating](#)

[Control Panels](#)

SPARES

[Spares](#)

AQUASMART WATER FILTER

SILVERISED CARBON FILTER FOR USE WITH ONBOARD AQUASMART PUMP SYSTEM.
DESIGNED TO REMOVE UNPLEASANT TASTES AND SMELLS FROM YOUR WATER SUPPLY.
SIMPLE TO INSTALL AND MAINTENANCE FREE

- ▶ Simply lift out of water container and twist off / on to replace
- ▶ Allow filter to sink to bottom of water container before use
- ▶ Change after 30 days of usage or every 3000 litres

See pages 28-29 for system over all view.

Model	Aquasmart Water Filter
PART NUMBER	WF3000
Weight	0.08kg
Hose Connection	1/4" BSP Male

Please note: This product is designed for use with water only. These filters are not designed for removing bacteria and should not be used on water supplies of an unknown bacteria quality.

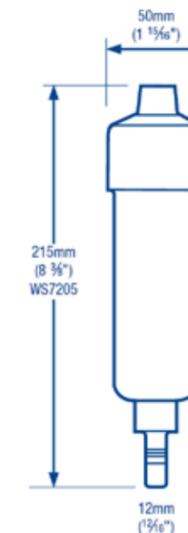


SURGE DAMPER

SMOOTHS WATER FLOW, AND HELPS REDUCE NOISE AND PULSATIONS IN YOUR WATER SYSTEM.

- ▶ Protects the pressure switch in pressurised systems
- ▶ Suitable for installation into soft hose system
- ▶ Supplied complete with mounting clips
- ▶ Designed to be mounted in a vertical position
- ▶ Connects directly inline to Whale Quick Connect Plumbing

Model	Surge Damper
PART NUMBER	WS7205
Pipe System Used	Quick Connect 12 mm
Fitting Requirement	Connects Directly Using Whale Quick Connect 12 mm Fittings Stainless Steel Hose Clips
Capacity	150 ml (1/4" pint)
Maximum Pressure	4 bar (60 psi)



WATER



WATER

Electric Pumps

Manuel Pumps

Plumbing

Water System Accessories

Taps

EASI-SLIDE

Easi-Slide Sockets

HEAT

Space Heating

Water Heating

Control Panels

SPARES

Spares

ONE WAY VALVE

ONE WAY VALVES ARE INSTALLED TO PREVENT THE WATER IN YOUR SYSTEM FROM FLOWING IN THE WRONG DIRECTION.

- ▶ Available in Plastic and Chromed Brass
- ▶ Ideal for use with electric submersible pumps (see page 12)

Model	One Way Valves		
PART NUMBER	FV1227	FV1235	FV1300
Weight	0.04 kg (0.9 lbs)	0.22 kg (0.5 lbs)	0.02kg
Hose Connections	Suitable for 13 mm (½") Flexible Hose		Suitable for 12mm Quick Connect Connect semi rigid piping & fittings
Materials	Body: ABS / Chromed Brass, Spring: Phosphor Bronze, Seal: Nitrile®		Body: PP 20%GF, Valve: Monprene o-ring - Nitrile®



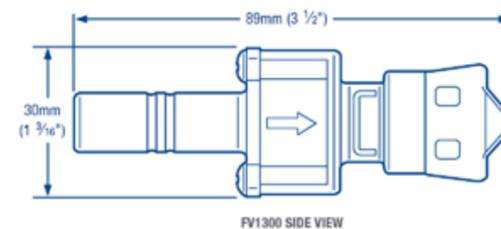
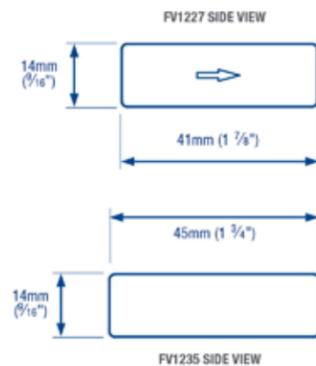
FV1227



FV1235



FV1300



ELECTRIC SOLENOID VALVE

THE SOLENOID VALVE IS USED FOR CONTROLLING PORTABLE WATER AND IS IDEAL FOR REDIRECTING THE WATER FLOW FOR ONBOARD TANK FILLING.

- ▶ Can be connected to existing 12 mm plumbing
- ▶ Fitted with 12 mm Whale Quick Connect fittings for direct connection
- ▶ Valves remains closed until 12V d.c. is applied

Model	Electric Solenoid Valves
PART NUMBER	WU1273
Hose Connections	½" BSP Male
Weight	0.21kg (0.46 lbs)





WATER

Electric Pumps

Manuel Pumps

Plumbing

Water System Accessories

Taps

EASI-SLIDE

Easi-Slide Sockets

HEAT

Space Heating

Water Heating

Control Panels

SPARES

Spares

ELEGANCE TAP / FAUCET RANGE

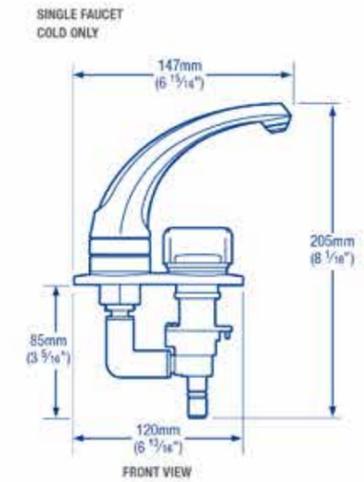
ENJOY A CHOICE OF BOTH HOT AND COLD WATER IN YOUR LEISURE VEHICLE WITH WHALE'S RANGE OF SIMPLE, LIGHTWEIGHT FAUCET AND COMBINATION SHOWER UNITS.

- ▶ Ideal for use with Pressure Switch or Microswitch Systems including all types of manual and electric pump supply systems.
- ▶ Ideal for tight spaces with easy installation
- ▶ Robust ABS construction
- ▶ Connects to Whale Quick Connect 12 mm pipework or ½" hose connections
- ▶ Standard and extended spout models available
- ▶ For systems operating at up to 2.4 bar (35 psi)
- ▶ Mixer tap standard outlet comes with combined tap and shower outlet (see page 45)

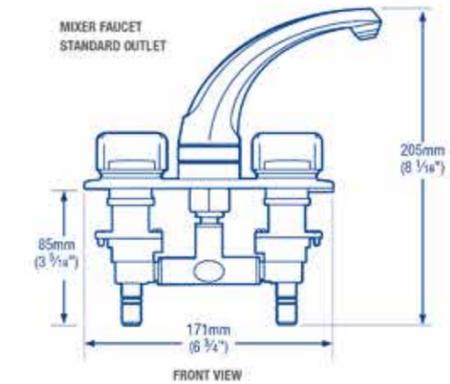
Model	Elegance Tap / Faucet Range					
PART NUMBER	RT1010	RT1210	RT2010	RT2210	RT2007	RT2498
Description	Single Tap Cold Only		Mixer Tap Standard Outlet		Mixer Tap Long Outlet	Mixer Combination Faucet/Shower
Colour	White					
Hose Connections	12 mm	½" Threaded	12 mm	½" Threaded	12 mm	½" Threaded
Materials	Body: ABS, Spout and Valves: Acetal, Seals: Neoprene					
Base Plate (mm)	13 mm x 55 mm (4 7/8" x 2 1/8")	13 mm x 55 mm (4 7/8" x 2 1/8")	164 mm x 55 mm (6 7/8" x 2 1/8")	171 mm x 62 mm (6 3/4" x 2 1/2")	164 mm x 55 mm (6 7/8" x 2 1/8")	171 mm x 62 mm (6 3/4" x 2 1/2")
Depth Beneath Surface	92 mm (3 5/8")	60 mm (2 3/8")	92 mm (3 5/8")	60 mm (2 3/8")	92 mm (3 5/8")	80mm (3 1/8")
Connection to Quick Connect 15 mm	WU1512	WX1532	WU1512	WX1532	WU1512	WX1532
Connection to 10 mm (3/8") Flexible Hose	WU1280 WU1204	Not Applicable	WU1280 WU1204	Not Applicable	WU1280 WU1204	Not Applicable
Connection to 13 mm (1/2") Flexible Hose	WU1282 WU1204	WX1532 WX1584	WU1282 WU1204	WX1532 WX1584	WU1282 WU1204	WX1532 WX1584



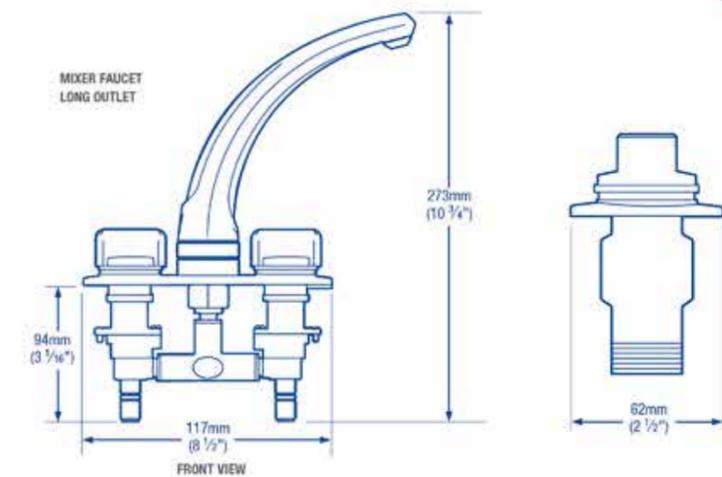
RT1010 / RT1210



RT2010 / RT2210



RT2007



WATER



WATER

[Electric Pumps](#)

[Manuel Pumps](#)

[Plumbing](#)

[Water System Accessories](#)

[Taps](#)

EASI-SLIDE

[Easi-Slide Sockets](#)

HEAT

[Space Heating](#)

[Water Heating](#)

[Control Panels](#)

SPARES

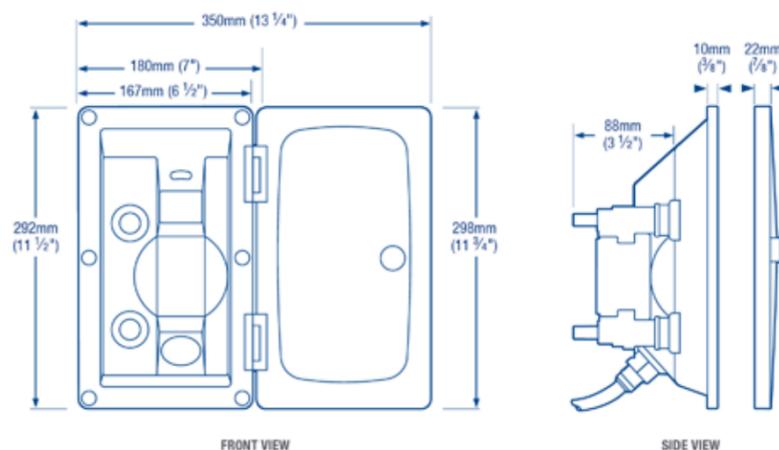
[Spares](#)

SWIM'N'RINSE EXTERNAL SHOWER

THE PERFECT SOLUTION FOR EASY WASH DOWN OUTSIDE YOUR LEISURE VEHICLE. THIS LIGHTWEIGHT, MIXER SHOWER WITH UNIQUE ON/OFF HANDSET CONTROL HELPS CONSERVE WATER, ALLOWING YOU TO ONLY USE WHAT YOU NEED, WHEN YOU NEED IT.

- ▶ Available with or without cover
- ▶ Extra long 2.1 m (7 ft) hose to fit in convenient locations
- ▶ Handset design allows water to be set to the desired temperature
- ▶ Mounting hole 125 mm (4 15/16") X 250 mm (9 7/8")

Model	Swim'N'Rinse External Shower	
PART NUMBER	RT2648	RT2662
Description	Hot and Cold Mixer (no cover)	Hot and Cold Mixer (lockable cover included)
Colour	White	
Hose Connections	1/2" Male Threaded (BSP / NPT)	
Base Plate (mm)	167 mm (6 1/2") X 292 mm (11 1/2")	
Depth Beneath Surface	88 mm (3 1/2")	
Connection to Quick Connect 15 mm	WX1532 - Adaptor Female 1/2" - 15 mm	
Hose Length	2.1 m (7 ft)	

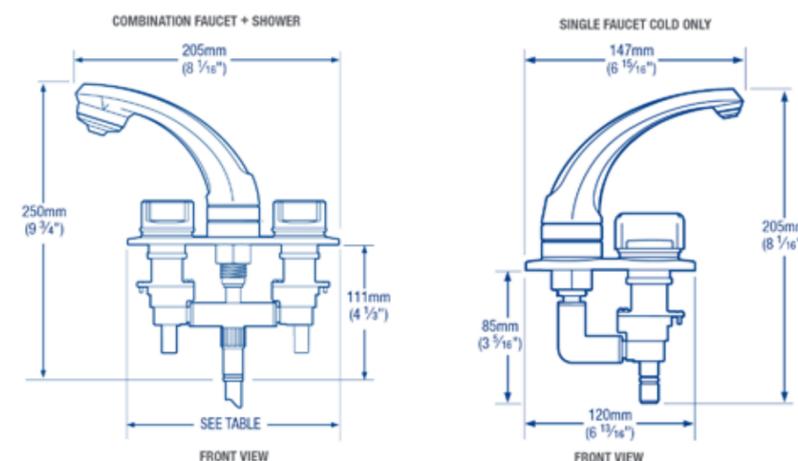


ELEGANCE COMBINATION MIXER SHOWER UNIT

USE THE ELEGANCE COMBINATION MIXER SHOWER UNIT AS A TAP AND A SHOWER. THE ADJUSTABLE HANDSET ENABLES YOU TO SET THE WATER IN YOUR LEISURE VEHICLE TO THE TEMPERATURE YOU NEED AND HELPS CONSERVE WATER.

- ▶ Ideal for use with Pressure Switch or Microswitch Systems where shower installation space is at a premium
- ▶ Retractable hose makes for neat storage when shower is not in use
- ▶ Water flow can be temporarily shut off at shower head to maintain mix setting
- ▶ One unit can be used as either a worktop mounted tap or a 'pull up style' shower
- ▶ 1.7 m (5' 7") long hose
- ▶ Connects directly to Whale Quick Connect 12 mm plumbing
- ▶ For systems operating at up to 2.4 bar (35 psi)

Model	Elegance Combination Mixer Shower Unit	
PART NUMBER	RT2500	RT1470B
Description	Mixer Combination Tap / Shower with Wall Bracket	Cold Only Combination Tap / Shower
Colour	White	
Base Plate (mm)	164 x 55 mm (6 7/16" x 2 1/4")	164 x 55 mm (6 7/16" x 2 1/4")
Depth Beneath Surface	108 mm (4 1/4")	80 mm (3 1/4")
Connection to Quick Connect 15 mm	WX1512	WX1532
Connection to 10 mm (3/8") Flexible Hose	WU1280 / WU1204	Not Applicable
Connection to 13 mm (1/2") Flexible Hose	WU1282 / WU1204	WX1532 / WX1584



EASI-SLIDE



HELPING YOU STAY CONNECTED

Whale have designed their range of Easi-Slide sockets to help end-users enjoy their outdoor experience more. Whale offers a wide range of sockets, including Water, Electric and Gas which means we have everything covered with our innovative sliding lid design.



WATER

[Electric Pumps](#)[Manuel Pumps](#)[Plumbing](#)[Water System
Accessories](#)[Taps](#)

EASI-SLIDE

[Easi-Slide Sockets](#)

HEAT

[Space Heating](#)[Water Heating](#)[Control Panels](#)

SPARES

[Spares](#)



WATER

[Electric Pumps](#)

[Manuel Pumps](#)

[Plumbing](#)

[Water System Accessories](#)

[Taps](#)

EASI-SLIDE

[Easi-Slide Sockets](#)

HEAT

[Space Heating](#)

[Water Heating](#)

[Control Panels](#)

SPARES

[Spares](#)

WATER IN SOCKET

THE EASY WAY TO SUPPLY YOUR VEHICLE WITH FRESH WATER.
INCLUDES SOCKETS FOR EXTERIOR SUBMERSIBLE PUMPS,
MAINS WATER HOOK UP OR ONBOARD WATER PUMP.
USE WITH COLD FRESHWATER ONLY.

Technical Information	
Water in Socket Part Numbers	Watermaster IC Socket - ES8005BR Watermaster Aquasmart Socket - ES6006B Microswitch Socket - ES6000 Pressure Switch Socket - ES6001
Easi-Slide Lid Part Numbers	AK1411B (Bulk Packaging) - Crisp White AK1411 (Retail) - Crisp White AK1412B (Bulk Packaging) - Soft Grey AK1412 (Retail) - Soft Grey AK1487B (Bulk Packaging) - Black
Voltage	12V d.c.
Weight	0.19kg (0.4 lbs)
Plumbing Connections	12mm male stem Whale Quick Connect
Materials	ABS, PP, EPDM, Nitrile, NBR, Stainless Steel
Compliance	IP45 rated when lid closed



IDEAL FOR USE WITH:



Whale Watermaster exterior water pump with Easi-Push Plug Product Code - EP1612



Whale Aquasmart Plug & Hose Product Code - UH0814. Only suitable with ES6006B



Whale Watermaster Mains Product Code - EM9433 (Retail)





WATER

Electric Pumps

Manuel Pumps

Plumbing

Water System Accessories

Taps

EASI-SLIDE

Easi-Slide Sockets

HEAT

Space Heating

Water Heating

Control Panels

SPARES

Spares

WATER OUT SOCKET

FOR HASSLE-FREE WASH DOWN, EASILY CONNECT WHALE'S DETACHABLE EXTERIOR COMPACT SHOWER WITH EASY-TO-USE TRIGGER. USE WITH COLD FRESHWATER ONLY.

Technical Information	
Water Out Socket Part Numbers	S04000C (Retail) S04000B (Bulk Packaging)
Easi-Slide Lid Part Numbers	AK1411B (Bulk Packaging) - Crisp White AK1411 (Retail) - Crisp White AK1412B (Bulk Packaging) - Soft Grey AK1412 (Retail) - Soft Grey AK1481B (Bulk Packaging) - Black AK1454C (Retail) - Black
Weight	0.21kg (0.46 lbs)
Plumbing Connections	12mm Female
Materials	PP, ABS, Hostaform, Stainless Steel, NBR, Reinforced PVC
Compliance	IP45 rated when lid closed

IDEAL FOR USE WITH:



Whale Compact Shower with 2.6m hose Product Codes - S04100B (Bulk Packaging), S04100C (Retail)



ONBOARD TANK FILL SOCKET

DIRECTLY FILL YOUR ONBOARD WATER TANK WITH THE ONBOARD TANK FILL SOCKET. THE UNIQUE SECURE HOSE CLIP KEEPS THE PUMP IN PLACE DURING FILLING. THE TANK FILL DESIGN INCORPORATES A LOCK TO PROTECT YOUR WATER SUPPLY AND A VENTPIPE TO PREVENT AIRLOCKS. THE ONBOARD TANK FILL SOCKET IS SUITABLE FOR USE WITH ANY STANDARD HOSE AND SHOULD BE USED WITH COLD FRESHWATER ONLY.

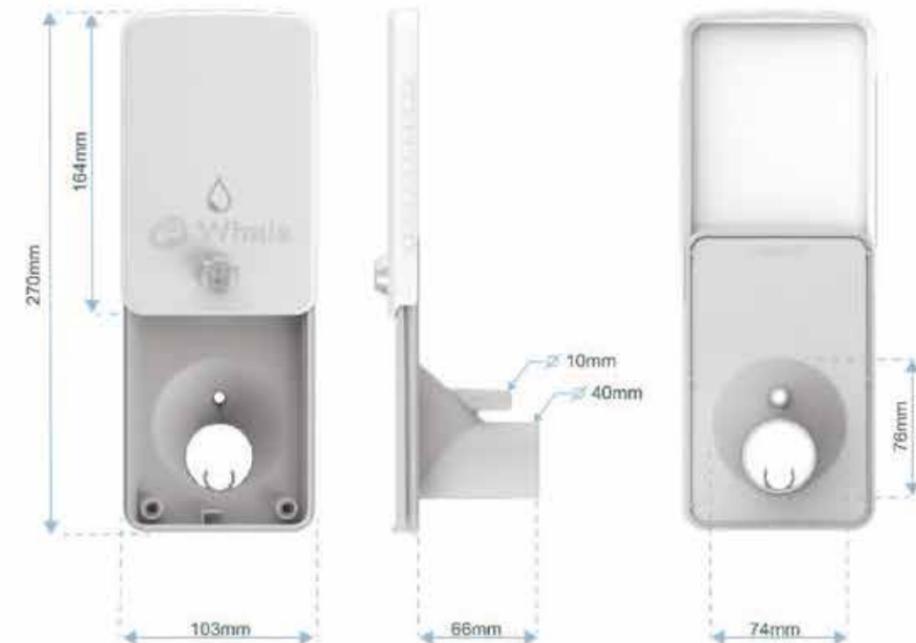
Technical Information	
Onboard Tank Fill Socket Part Numbers	S02000C (Retail) S02000B (Bulk Packaging)
Easi-Slide Lid Part Numbers	AK1432B (Bulk Packaging) - Crisp White AK1432C (Retail) - Crisp White AK1452B (Bulk Packaging) - Soft Grey AK1452C (Retail) - Soft Grey AK1485B (Bulk Packaging) - Black AK1455C (Retail) - Black
Weight	0.21kg (0.46 lbs)
Plumbing Connections	12mm Female
Materials	PP, ABS, Hostaform, Stainless Steel, NBR, Reinforced PVC
Compliance	IP45 rated when lid closed

IDEAL FOR USE WITH:



Whale Portable Pump Kit
Product Code - GP1642 (Retail)
See page 22

Superfil Pump Kit
Product Code - GP1333B (Bulk Packaging), GP1332 (Retail).
See page 24





WATER

[Electric Pumps](#)

[Manuel Pumps](#)

[Plumbing](#)

[Water System Accessories](#)

[Taps](#)

EASI-SLIDE

[Easi-Slide Sockets](#)

HEAT

[Space Heating](#)

[Water Heating](#)

[Control Panels](#)

SPARES

[Spares](#)

ONBOARD TANK FILL AND 12V SOCKET

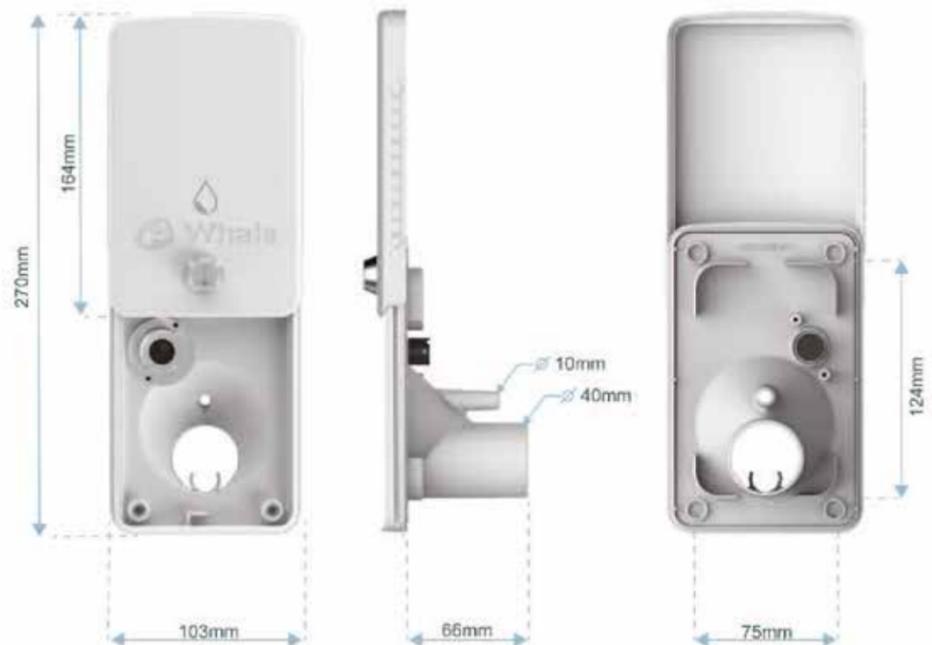
UNIQUE 2 IN 1 DESIGN INCLUDES A 12V PUMP POWER SUPPLY AND ONBOARD TANK FILL ALL IN ONE SOCKET. THE SECURE HOSE CLIP KEEPS THE PUMP IN PLACE DURING FILLING. THE ONBOARD TANK FILL + 12V POWER SOCKET INCORPORATES A LOCK TO PROTECT YOUR WATER SUPPLY AND A VENT PIPE ENSURING THE TANK IS VENTED AT ALL TIMES, PREVENTING AIRLOCKS. THIS SOCKET IS SUITABLE FOR USE WITH ANY STANDARD HOSE AND IS TO BE USED WITH COLD FRESHWATER ONLY.

Technical Information	
Onboard Tank Fill and 12V d.c. Socket Part Numbers	S02500C (Retail) Socket S02500B (Bulk Packaging)
Easi-Slide Lid Part Numbers	AK1432B (Bulk Packaging) – Crisp White AK1432C (Retail) – Crisp White AK1452B (Bulk Packaging) – Soft Grey AK1452C (Retail) – Soft Grey AK1485B (Bulk Packaging) – Black AK1455C (Retail) – Black
Voltage	12V d.c.
Weight	0.18kg (0.4 lbs)
Plumbing Connections	40mm DIA pipe, 10mm DIA bleed pipe
Materials	ABS, See EP1632
Compliance	IP45 rated when lid closed

IDEAL FOR USE WITH:



Superfil Pump Kit Product Code - GP1633



MAINS ELECTRIC IN SOCKET

THE WHALE MAINS ELECTRIC IN SOCKET ALLOWS YOU TO SAFELY HOOK UP 230V/16 AMP MAINS POWER TO YOUR LEISURE VEHICLE WHILE ONSITE.

Technical Information	
Mains Electric In Socket Part Numbers	S03100C (Retail) S03100B (Bulk Packaging)
Easi-Slide Lid Part Numbers	AK1429B (Bulk Packaging) – Crisp White AK1427C (Retail) – Crisp White AK1449B (Bulk Packaging) – Soft Grey AK1447C (Retail) – Soft Grey AK1482B (Bulk Packaging) – Black AK1454C (Retail) – Black
Electrical Spec	230V A.C. / 16 amp
Weight	0.26kg (0.57 lbs)
Electrical Connections	Hard wired to Power Distribution Unit (PDU), 3 core (brown, blue, yellow/green), 300/500V, 16 A min. 2.5mm CSA, 10mm OD. Plain annealed copper wire, PVC insulated
Compliance	Product complies with BS EN 60309 & IP55 rated when lid closed





WATER

[Electric Pumps](#)

[Manuel Pumps](#)

[Plumbing](#)

[Water System Accessories](#)

[Taps](#)

EASI-SLIDE

[Easi-Slide Sockets](#)

HEAT

[Space Heating](#)

[Water Heating](#)

[Control Panels](#)

SPARES

[Spares](#)

MAINS ELECTRIC OUT SOCKET

THIS EASY ACCESS MAINS OUTLET SOCKET INCLUDES A UK 3 PIN WHICH ALLOWS YOU TO HOOK UP ELECTRICAL APPLIANCES TO 13 AMP RATING SUCH AS POWER TOOLS, LIGHTING, TVS, OR GAMES CONSOLES. EASI-SLIDE LID CAN BE CLOSED COMPLETELY WHEN IN USE, WEATHERPROOFING THE UNIT AGAINST THE ELEMENTS.

Technical Information	
Mains Electric Out Socket Part Numbers	S03000C (Retail) S03000B (Bulk Packaging)
Easi-Slide Lid Part Numbers	AK1429B (Bulk Packaging) – Crisp White AK1427C (Retail) - Crisp White AK1449B (Bulk Packaging) – Soft Grey AK1447C (Retail) - Soft Grey AK1482B (Bulk Packaging) - Black AK1454C (Retail) - Black
Electrical Spec	230V A.C. / 13 amp
Weight	0.25kg (0.55 lbs)
Electrical Connections	JST plug (LP-03-1)
Compliance	Product complies with BS1363 and IP55 rated when lid closed



MULTIMEDIA 3 IN 1 SOCKET

ENTERTAINMENT ON THE GO WITH THE WHALE MULTIMEDIA SOCKET. SUPPLIES TV AERIAL AND SATELLITE AS WELL AS PROVIDING A 12V D.C. OUTLET SOCKET TO POWER OR CHARGE YOUR DEVICES.

Technical Information	
Mains Electric In Socket Part Numbers	S03500C (Retail) S03500B (Bulk Packaging)
Easi-Slide Lid Part Numbers	AK1430B (Bulk Packaging) – Crisp White AK1427C (Retail) - Crisp White AK1450B (Bulk Packaging) – Soft Grey AK1447C (Retail) - Soft Grey AK1483B (Bulk Packaging) - Black AK1454C (Retail) - Black
Voltage	12V d.c. / 10 amp
Weight	0.17kg (0.37 lbs)
Electrical Connections	12V – spade connectors SAT & TV – threaded coaxial connections
Compliance	IP55 rated when lid closed





WATER

[Electric Pumps](#)

[Manuel Pumps](#)

[Plumbing](#)

[Water System Accessories](#)

[Taps](#)

EASI-SLIDE

[Easi-Slide Sockets](#)

HEAT

[Space Heating](#)

[Water Heating](#)

[Control Panels](#)

SPARES

[Spares](#)

ISOLATOR SWITCH SOCKET

THE WHALE ISOLATOR SWITCH ALLOWS YOU TO CUT THE POWER TO YOUR APPLIANCES SAVING VALUABLE BATTERY LIFE.

Technical Information	
Isolator Switch Socket Part Numbers	S03200C (Retail) S03200B (Bulk Packaging)
Easi-Slide Lid Part Numbers	AK1431B (Bulk Packaging) – Crisp White AK1427C (Retail) - Crisp White AK1451B (Bulk Packaging) – Soft Grey AK1447C (Retail) - Soft Grey AK1484B (Bulk Packaging) - Black AK1454C (Retail) - Black
Voltage	12 V d.c. to max 24 V d.c.
Max Continuous Operating Current	500 amps, 5 Sec Max
Weight	0.25kg (0.55 lbs)
Electrical Connections	M8 threaded connections
Compliance	IP55 rated when lid closed



EXTERNAL BBQ OUTLET SOCKET

THE GAS BBQ OUTLET IS IDEAL FOR SUPPLYING BARBECUES USING YOUR LPG (PROPANE AND BUTANE) ONBOARD GAS SUPPLY. WITH SIMPLE ONE-HANDED OPERATION AND STRAIGHT FORWARD CONNECTION, EXTERNAL GAS APPLIANCES CAN BE QUICKLY CONNECTED TO THE GAS TAP. SAFETY COUPLING IS INCLUDED TO ENSURE THAT GAS CAN ONLY BE TURNED ON WHEN SAFETY COUPLING IS CONNECTED.

Technical Information	
External BBQ Socket Part Numbers	S01000C (Retail) S01000B (Bulk Packaging)
Easi-Slide Lid Part Numbers	AK1427B (Bulk Packaging) – Crisp White AK1427C (Retail) - Crisp White AK1447B (Bulk Packaging) – Soft Grey AK1447C (Retail) - Soft Grey AK1480B (Bulk Packaging) - Black AK1454C (Retail) - Black
Working Pressures	4 bar max, 30mbar nominal working pressure
Weight	0.39kg (0.86 lbs)
Supply System	LPG
Gas Connections	M14 x 1.5 threaded nut and compression olive for use with 8mm DIA gas pipe.
Compliance	Product complies with BS EN 1949 and IP55 rated when lid closed



WATER

[Electric Pumps](#)

[Manuel Pumps](#)

[Plumbing](#)

[Water System Accessories](#)

[Taps](#)

EASI-SLIDE

[Easi-Slide Sockets](#)

HEAT

[Space Heating](#)

[Water Heating](#)

[Control Panels](#)

SPARES

[Spares](#)

EASI-SLIDE LIDS

SUPPLIED SEPARATELY TO THE SOCKET, EASI-SLIDE LIDS ARE AVAILABLE IN 3 COLOUR OPTIONS; CRISP WHITE, SOFT GREY AND BLACK. EASY FIT REPLACEMENT LIDS ARE AVAILABLE TO REPLACE LOST OR BROKEN COVERS WITHOUT REMOVING THE ENTIRE SOCKET OR COMPROMISING THE SEAL.



Plain Lid (White)



Plain Lid (Grey)



Plain Lid (Black)



**WATER**[Electric Pumps](#)[Manuel Pumps](#)[Plumbing](#)[Water System
Accessories](#)[Taps](#)**EASI-SLIDE**[Easi-Slide Sockets](#)**HEAT**[Space Heating](#)[Water Heating](#)[Control Panels](#)**SPARES**[Spares](#)**WHALE HEAT**

For more than a decade, Whale have designed and manufactured market leading space and water heating solutions for recreational vehicles.

From heaters installed inside the vehicle, to our latest range of heaters installed under the vehicle, Whale can give you comfort by helping to provide fast, efficient, and controllable heat. Innovation is always at the heart of Whale products.

HEAT

**WATER**[Electric Pumps](#)[Manuel Pumps](#)[Plumbing](#)[Water System
Accessories](#)[Taps](#)**EASI-SLIDE**[Easi-Slide Sockets](#)**HEAT**[Space Heating](#)[Water Heating](#)[Control Panels](#)**SPARES**[Spares](#)**SPACE HEATING****SPACE HEATING**

Market leading space heating solutions.

From our popular and well loved Classic space heater range to our state of the art Heat Air range, Whale can help you enjoy freedom.

With a range of models to suit all vehicle types, Whale offers maximum comfort with minimum space and weight impact, and full control.

HEAT



WATER

[Electric Pumps](#)

[Manuel Pumps](#)

[Plumbing](#)

[Water System Accessories](#)

[Taps](#)

EASI-SLIDE

[Easi-Slide Sockets](#)

HEAT

[Space Heating](#)

[Water Heating](#)

[Control Panels](#)

SPARES

[Spares](#)

HEAT AIR GAS RANGE

WHALE'S HEAT AIR RANGE OF SPACE HEATERS ALLOWS USERS TO ENJOY THEIR FREEDOM BY OFFERING A LIGHTWEIGHT, POWERFUL AND COMPACT GAS HEATING SOLUTION FOR ALL TYPES OF LEISURE VEHICLE'S, PROVIDING COMFORT AND QUIET OPERATION.

- ▶ Underfloor installation giving you space where it matters most
- ▶ Fast heat up times
- ▶ Even distribution of heat throughout the vehicle
- ▶ Easy to use
- ▶ Range of options to suit your type of vehicle

KIT INCLUDES:

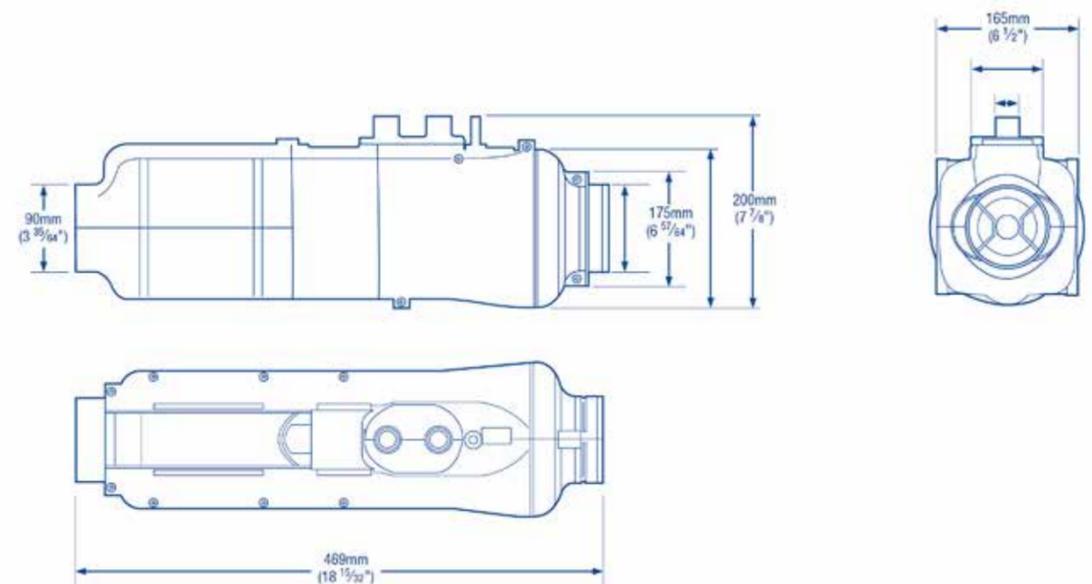
- ▶ Heat Air Model
- ▶ Coms Cable
- ▶ Control Panel
- ▶ Flue Kit
- ▶ Fixing Bracket (4 G and 5 GT only)



Heat Air 5 GT

GAS RANGE

		Heat Air Gas		
		3 GT	4 G	5 GT
Model				
PART NUMBER		SETSL3511A	SETSL5511A	SETSL6511A
	CE	2797/20		2797/19
Conformity	ECE R122		E13 122R-000174	
	ECE R10		E11 10R-10791	
	Ingress Protection	IP45		
Gas	Type	Butane/Propane 30mbar – CAT I3B/P (30)		
	Heat Input [kW]	1.4, 3.3	1.5, 3.2, 4.7	1.8, 4.7, 6.0
	Consumption [g/h]	109, 239	109, 233, 342	131, 342, 436
	Voltage [V]	10.1 to 15.9		
Electric 12V d.c.	Current Draw Range [A]	0.6 to 2.5	0.6 to 4.5	0.6 to 6.5
	Current Draw Average [A]	1.8	1.4	1.1
	Standby [A]	0.008		
	Rated Fuse Size [A]	5	10	
Temperature	Storage [°C]	-40 to +70		
	Operation [°C]	-20 to +50		
	Control [°C]	+5 to +32		
	Dimensions L X W X H [mm]	469 x 165 x 175		
Physical	Blown Air Ducting ø	65mm	90mm	90mm
	Weight [kg]	5.9	5.5	5.9
	Max Air Flow @ 0.5mbar [m3/h]	150		220
	Altitude Range [m]	0 to 2750		





WATER

[Electric Pumps](#)

[Manuel Pumps](#)

[Plumbing](#)

[Water System Accessories](#)

[Taps](#)

EASI-SLIDE

[Easi-Slide Sockets](#)

HEAT

[Space Heating](#)

[Water Heating](#)

[Control Panels](#)

SPARES

[Spares](#)

HEAT AIR GAS AND ELECTRIC RANGE

WHALE'S HEAT AIR RANGE OF SPACE HEATERS ALLOWS USERS TO ENJOY THEIR FREEDOM BY OFFERING A LIGHTWEIGHT, POWERFUL AND COMPACT GAS AND ELECTRIC HEATING SOLUTION FOR ALL TYPES OF LEISURE VEHICLES, PROVIDING COMFORT AND QUIET OPERATION.

- ▶ Underfloor installation giving you space where it matters most
- ▶ Fast heat up times
- ▶ Even distribution of heat throughout the vehicle
- ▶ Easy to use
- ▶ Range of options to suit your type of vehicle
- ▶ Operates on whichever fuel source suits you most

KIT INCLUDES:

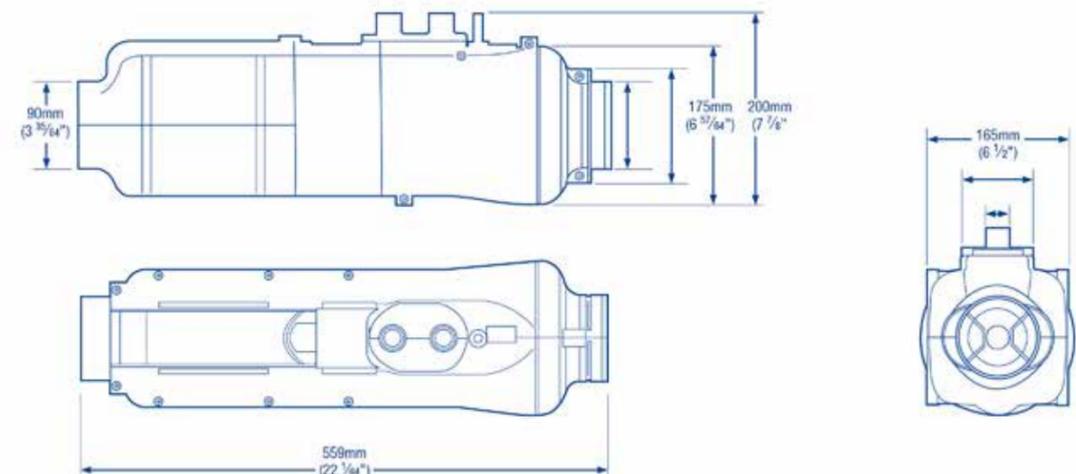
- ▶ Heat Air Model
- ▶ Coms Cable
- ▶ Control Panel
- ▶ Flue Kit
- ▶ Fixing Bracket



HEAT AIR 5 GTE

GAS AND ELECTRIC RANGE

Model	Heat Air Gas and Electric	
	5 GTE	6 GTE
PART NUMBER	SETSL5512A	SETSL7512A
	CE	0086/11
Conformity	ECE R122	E13 122R-000174
	ECE R10	E11 10R-10791
	Ingress Protection	IP45
Electric 230V AC	Heat In/Output [kW]	0.75, 1.50, 3.00
	Current Rating [A]	3.3, 6.6, 13.0
	Rated Fuse Size [A]	16
Gas	Type	Butane/Propane 30mbar – CAT 13B/P (30)
	Heat Input [kW]	1.5, 3.2, 4.7
	Consumption [g/h]	109, 233, 342
Combined	Electric and Gas Output [kW]	4.3
	Voltage [V]	10.1 to 15.9
Electric 12V d.c.	Current Draw Range [A]	0.6 to 3.3
	Current Draw Average [A]	1.4
	Standby [A]	0.008
Temperature	Rated Fuse Size [A]	10
	Storage [°C]	-40 to +70
	Operation [°C]	-20 to +50
Physical	Control [°C]	+5 to +32
	Dimensions L X W X H [mm]	559 x 165 x 175
	Blown Air Ducting ø	90mm
	Weight [kg]	8.7
	Max Air Flow @ 0.5mbar [m3/h]	220
	Altitude Range [m]	0 to 2750





WATER

[Electric Pumps](#)

[Manuel Pumps](#)

[Plumbing](#)

[Water System Accessories](#)

[Taps](#)

EASI-SLIDE

[Easi-Slide Sockets](#)

HEAT

[Space Heating](#)

[Water Heating](#)

[Control Panels](#)

SPARES

[Spares](#)

ACCESSORIES

HEAT AIR INSTALLATION BRACKETS

WHALE HAVE DESIGNED A RANGE OF BRACKETS TO ALLOW USERS TO INSTALL HEAT AIR ONTO THEIR VEHICLE.

Heat Air Gas and Electric			
Model	PART NUMBER	VEHICLE SUITABILITY	HEAT AIR MODEL
Heat Air Gas Bracket Z	AK1810B	Universal (horizontal flue)	Heat Air 3 GT, 4 G, 5 GT
Heat Air Gas Bracket U	AK1811B	Universal (vertical flue)	Heat Air 3 GT, 4 G, 5 GT
Heat Air Gas & Electric Bracket Z	AK1812B	Universal (horizontal flue)	Heat Air 5 GTE, 6 GTE
Heat Air Gas & Electric Bracket U	AK1813B	Universal (vertical flue)	Heat Air 5 GTE, 6 GTE
Heat Air Gas Bracket - VW T5 T6	AK1818B	VW T5/T6	Heat Air 3 GT, 4 G, 5 GT
Heat Air Gas Bracket - Ford Transit Custom	AK1820B	Ford Transit Custom	Heat Air 3 GT, 4 G, 5 GT
Heat Air Gas & Electric Bracket Vibration Mount	AK1821B	Fiat Ducato, Peugeot Boxer, Citroen Relay (handbrake cable offset)	Heat Air 5 GTE, 6 GTE

DUCTING FITTINGS



DX6500
Ducting Pipe 65mm



DX6501B
Ducting Fitting 65mm End Stop



DX6502B
Ducting Fitting 65mm Straight



DX6503B
Ducting Fitting 65mm 'T'



DX6504B
Ducting fitting 65mm 'Y'



DX6516B
Ducting Vent 65mm Fixed Beige



DX6511B
Ducting Vent 65mm Flexible Beige



DX6521B
Ducting Vent 65mm Flexible White



DX6526B
Ducting Vent 65mm Fixed White



DX6531B
Ducting Vent 65mm Flexible Black



DX6536B
Ducting Vent 65mm Fixed Black

Part Numbers Explanation:

B Suffix: refers to items available only in bulk-packed quantities for high volume production OEM use.



WATER

Electric Pumps

Manuel Pumps

Plumbing

Water System Accessories

Taps

EASI-SLIDE

Easi-Slide Sockets

HEAT

Space Heating

Water Heating

Control Panels

SPARES

Spares

CLASSIC SPACE HEATER 2kW ONBOARD GAS OR GAS AND ELECTRIC

WHALE OFFERS TWO INTERNALLY FITTED MODELS TO SUIT YOUR VEHICLE'S REQUIREMENTS. THESE COMPACT OPTIONS FIT NEATLY INSIDE A BUNK OR CUPBOARD AND ARE AVAILABLE AS GAS ONLY OR GAS AND ELECTRIC MODELS.

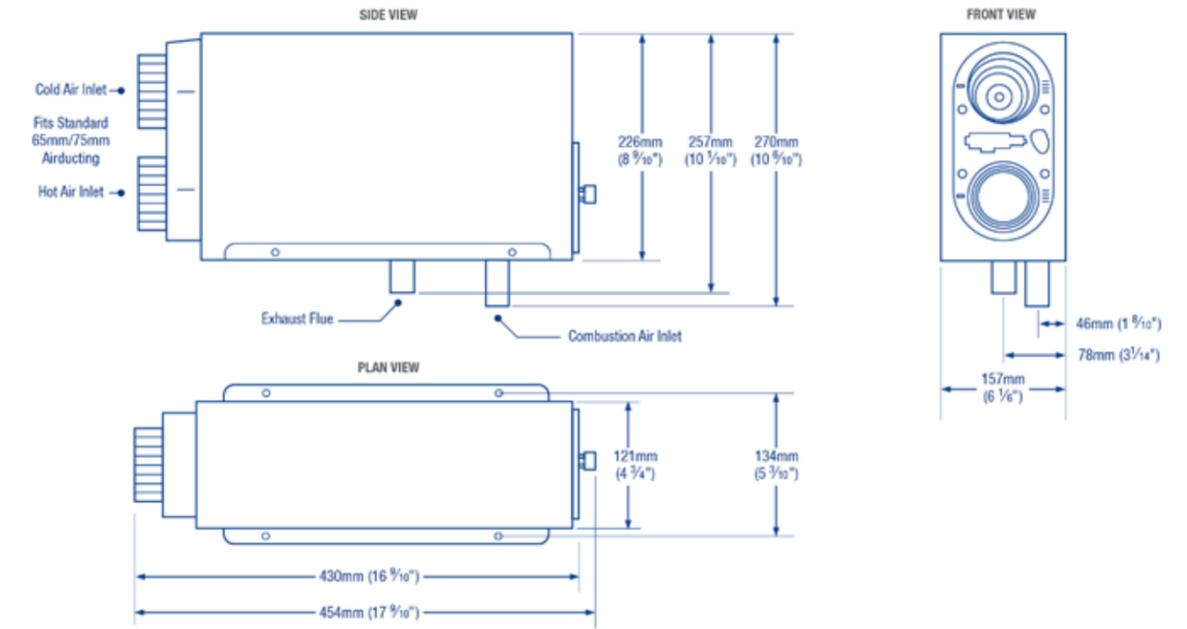
- ▶ Versatile installation options
- ▶ No wiring – simply plug in
- ▶ Easy to use
- ▶ No internal flue or chimney required

		Classic Space Heaters - Onboard	
Model		Gas	Gas and Electric
PART NUMBER		SH2201	SH2202
CE NUMBER		2797/11	
Gas	Type	Butane/Propane (29/37 or 30mbar regulators)	
	Heat Input [kW]	2.0	
	Gas Connection	8mm Compression fitting	
	Current Consumption	1.6 amps (<20W) (0.01 amps on standby)	
Electric	Supply	12V d.c. + 230V a.c. 50 Hz	
	Heat Input [kW]	2.0kW	
Electric 12V d.c.	Max. Current Consumption (230V)	9 amps (2kW setting)	
Max. Current Consumption (12V)		2.2 amps (2kW setting)	
Conformity		Low Voltage Directive 2006/95/EC Gas Appliance Directive 90/396/EEC EMC Directive 2004/108/EC Vehicle in Motion approved	

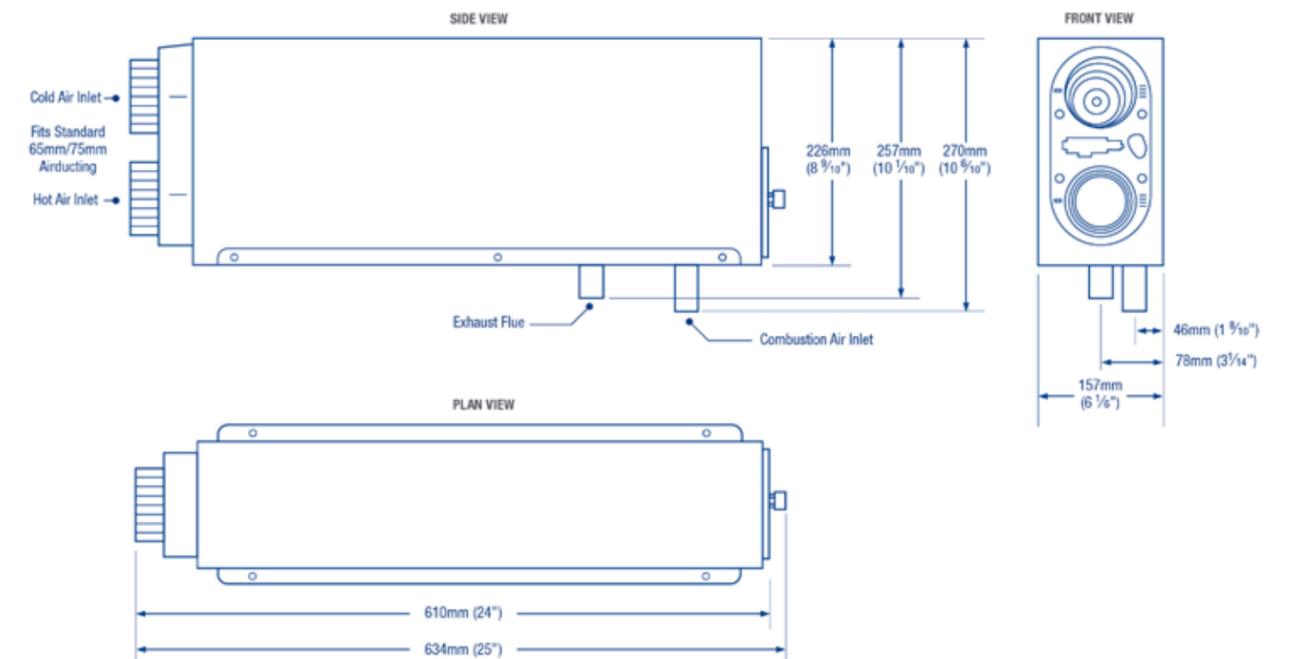


2kW GAS ONBOARD - SH2201

GAS MODEL (SH2201)



GAS AND ELECTRIC MODEL (SH2202)



**WATER**[Electric Pumps](#)[Manuel Pumps](#)[Plumbing](#)[Water System
Accessories](#)[Taps](#)**EASI-SLIDE**[Easi-Slide Sockets](#)**HEAT**[Space Heating](#)[Water Heating](#)[Control Panels](#)**SPARES**[Spares](#)**WATER HEATING****WATER HEATING**

For all your hot water needs...

As experts in water systems, Whale offers a full range of water heaters designed for any environment. Available in different capacities and a choice of onboard or underfloor installation, we have the right water heater for your leisure vehicle.





WATER

[Electric Pumps](#)

[Manuel Pumps](#)

[Plumbing](#)

[Water System Accessories](#)

[Taps](#)

EASI-SLIDE

[Easi-Slide Sockets](#)

HEAT

[Space Heating](#)

[Water Heating](#)

[Control Panels](#)

SPARES

[Spares](#)

EXPANSE

WHALE'S RANGE OF EXPANSE WATER HEATERS ARE DESIGNED TO ENHANCE THE EXPERIENCE OF THE END USER WITH THEIR FAST HEAT UP TIMES, LIGHTWEIGHT AND SPACE SAVING DESIGN.

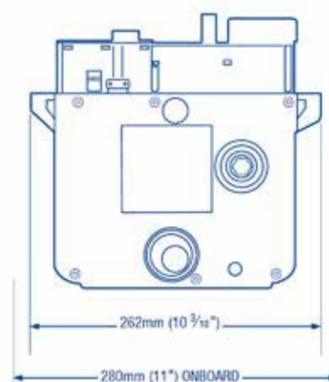
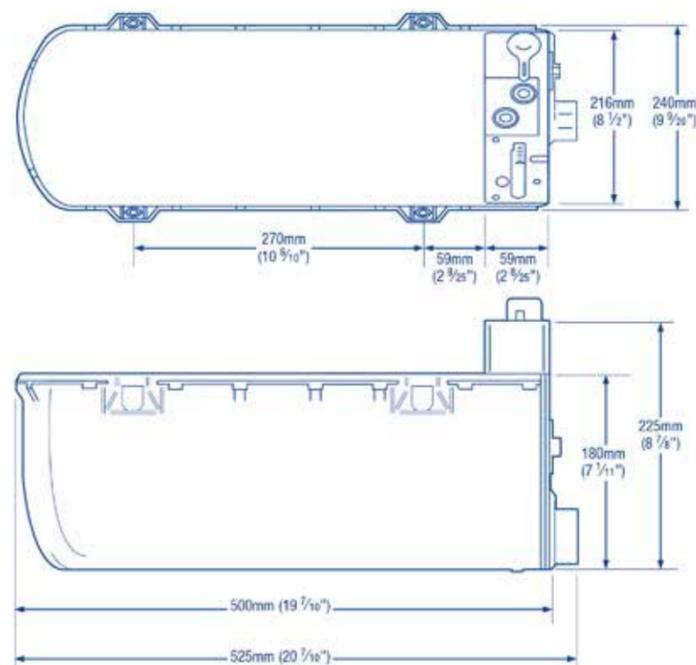
- ▶ Options for underfloor and onboard installation
- ▶ Fast heat up and longer heat retention
- ▶ Temperature control
- ▶ Quiet operation
- ▶ Range of fuel options



Expanse Onboard Water Heater



Expanse Underfloor Water Heater



Expanse Gas Water Heater			
Model		Onboard	Underfloor
PART NUMBER		SETWL8201A	SETWL8211A
Conformity	CE	2797/20	
	ECE R10	E11 10R05/01-11181-00	
	Ingress Protection	IP45	
Gas	Type	Butane/Propane 30mbar – CAT I3B/P (30)	
	Heat Input [kW]	1.35	
	Standby Loss [W]	43	
Electric 12V d.c.	Voltage [V]	9.9 < 12.0 < 15.1	
	Operation [A]	0.48	
	Standby [A]	0.03	
Physical	Dimensions L X W X H [mm]	525 x 280 x 180	525 x 262 x 180
	Weight [kg]	4.0 – 4.5	
	Max Water Temperature [°C]	Circa 70	
	Water Capacity [l]	8	
Materials	Cold/Hot Water Connection [mm]	12mm pipe/12mm stem	
	Cylinder	Stainless Steel 316L	
	Housing	PP 20% GF for Impact Resistance	
	Insulation	EPS	

Expanse Gas and Electric Water Heater			
Model		Onboard	Underfloor
PART NUMBER		SETWL8202A	SETWL8211A
Conformity	CE	2797/20	
	ECE R10	E11 10R05/01-11181-00	
	Ingress Protection	IP45	
Gas	Type	Butane/Propane 30mbar – CAT I3B/P (30)	
	Heat Input [kW]	1.35	
	Standby Loss [W]	Electric – 25w, Gas 43w, G&E – 29w	
Electric 12V d.c.	Heat Input [kW]	0.75 / 1.50	
	Voltage [V]	9.9 < 12.0 < 15.1	
	Operation [A]	0.48	
Physical	Standby [A]	0.03	
	AC Power Supply	230V a.c., 50 Hz	
	Dimensions L X W X H [mm]	525 x 280 x 180	525 x 262 x 180
	Weight [kg]	4.5	4.2
Materials	Max Water Temperature [°C]	Circa 70	
	Water Capacity [l]	8	
	Max Water Pressure Supply [bar]	1.9	
	Max Water Pressure Rated [bar]	3.0	
	Cylinder	Stainless Steel 316L	
	Housing	PP 20% GF for Impact Resistance	
	Insulation	EPS	



WATER

Electric Pumps

Manuel Pumps

Plumbing

Water System Accessories

Taps

EASI-SLIDE

Easi-Slide Sockets

HEAT

Space Heating

Water Heating

Control Panels

SPARES

Spares

RAPID HEAT

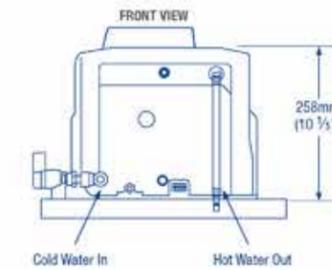
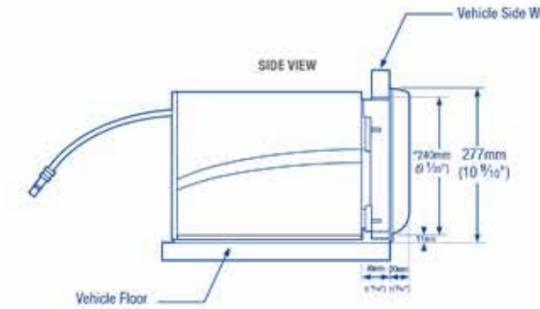
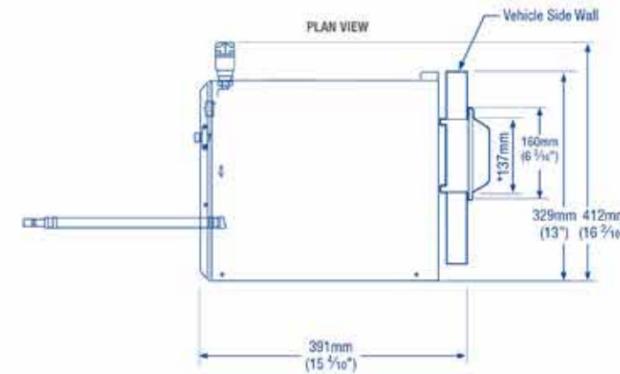
WHALE'S RAPID HEAT RANGE IS MADE TO STORE HOT WATER FOR LONGER PERIODS, SO YOU CAN ALWAYS GET HOT WATER WHEN YOU NEED IT MOST.

- ▶ Compact design
- ▶ Easy installation
- ▶ Choice of gas and electric options
- ▶ 8 or 13 litre capacity

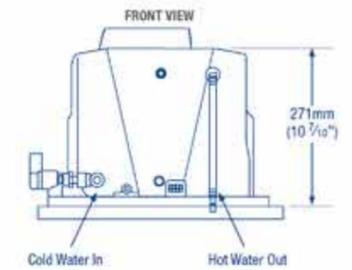
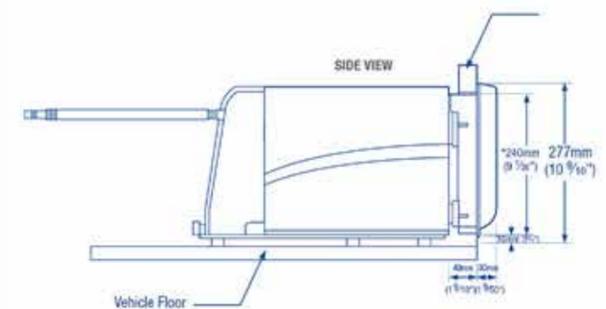
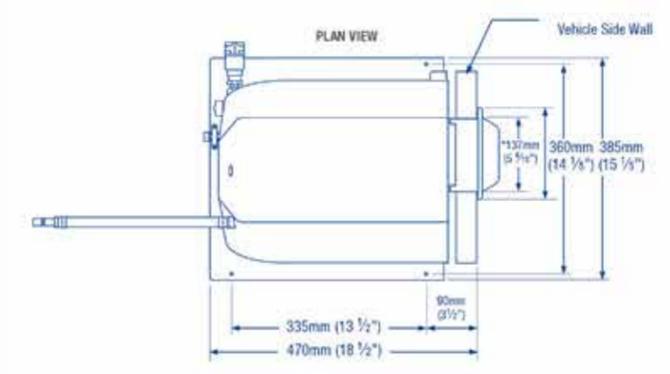


Model	WH0802	WH0822	WH1302	
Water	Capacity	8 ltrs	13 ltrs	
	Pressure Relief Valve Setting	2.6 bar		
	Maximum Water Inlet Pressure	1.9 bar		
Gas	Gas Type	Butane and Propane CAT 13+ (29/37), CAT12B/P (30)		
	Heat Input	1.25kW		
	Gas Consumption	93 g/hr		
	Gas Connection	8mm Compression Fitting	8mm OD Steel Tube	8mm Copper Tube
	Supply	12V d.c. + 230V a.c. 50 Hz		
Electricity	Electric Lowest Eco Setting	750W	N/A	600W
	Electric Highest Setting	1500W	N/A	1200W
	Max. Current Consumption (12V)	0.36 amps (0.1 amp on standby)		
	Max. Current Consumption (230V)	3.25 / 6.5 amps	N/A	2.6 / 5.2 amps
Approximate heat up times (15 to 70 degrees)	Gas Operation	26 mins		43 mins
	Electric Operation	20 mins	N/A	38 mins
	Gas and Electric Operation	12 mins	N/A	22 mins
Conformity		Low Voltage Directive 2006/95/EC Gas Appliance Directive 90/396/EEC EMC Directive 2004/108/EC Directive 74/483/EEC including 2006/96/EE Vehicle Type Approval		
Weight		8.0kg (17.6 lbs)		10.0kg (22 lbs)

8 LITRE MODEL



13 LITRE MODEL



ACCESSORIES

Whale Universal Adapter Plate

PART NUMBER

AK1203



ADAPTER PLATE

**WATER**[Electric Pumps](#)[Manuel Pumps](#)[Plumbing](#)[Water System
Accessories](#)[Taps](#)**EASI-SLIDE**[Easi-Slide Sockets](#)**HEAT**[Space Heating](#)[Water Heating](#)[Control Panels](#)**SPARES**[Spares](#)**CONTROL PANELS****CONTROL PANELS**

Whale offer a wide range of control units compatible with the various Whale space and water heating appliances. All Whale control units are characterised through:

- ▶ Ease of installation
- ▶ No fuss controls
- ▶ Reliable operation
- ▶ Simple and clear lockout indication
- ▶ Compliance with relevant standards and requirements

The range covers simple switches for water heating appliances, rotary and push button controls, touch screen and capacitive touch panels - a wide choice applicable to various heating devices.

For each application, the control panel ensures that the user can at any time see the status and operation mode of the device. For space heating, temperatures can be set ensuring comfort while the heating works quietly in the background.



WATER

[Electric Pumps](#)

[Manuel Pumps](#)

[Plumbing](#)

[Water System Accessories](#)

[Taps](#)

EASI-SLIDE

[Easi-Slide Sockets](#)

HEAT

[Space Heating](#)

[Water Heating](#)

[Control Panels](#)

SPARES

[Spares](#)

CLASSIC 2KW GAS/GAS AND ELECTRIC

THIS SIMPLE TO USE CONTROL PANEL CAN BE USED FOR THE CLASSIC 2KW SPACE HEATER.

- ▶ Easy to use with position stops to prevent accidental adjustment
- ▶ Range of settings for maximum control
 - heat boost setting
 - frost protection setting
- ▶ Easy to mount
- ▶ One 3.5m cable with connector
- ▶ Vertical or horizontal orientation



SH0602B

	SH0101B	SH0102B	SH0502B	SH0602B
Application				Space Heating
Interface				Rotary Control
Adjustable Temperature				Yes
Temperature Display/Indication				No
Frost Protection Setting				Yes
Heating Mode Selection				Manual
Gas and Electric Operation	N/A		No	Yes
Night Time Setting				No
Fault Indication				Yes
Lockout Reset at Control Panel				Yes
AC Current Limit				No
AC Current Draw Display				No
Timer Settings				No
Battery Status Indicator				No
Proximity Sensing				No
Communication Protocol				Analogue

DUO CONTROL CLASSIC

THE WHALE DUO CONTROL PANEL INTEGRATES SPACE AND WATER HEATING INTO ONE EASY TO USE CONTROL PANEL, GIVING YOU FULL CONTROL.

- ▶ Intuitive design and easy to use control panel
- ▶ Integrates space and water heating controls into one control panel
- ▶ Operates on a range of power settings
 - Super efficient
 - High speed
- ▶ Frost protection for space and water heater



SH0802B

	SH0802B	SH0805LB	
Application			Space & Water Heating
Interface			Push Buttons
Adjustable Temperature	No		Yes
Temperature Display/Indication			No
Frost Protection Setting	Yes		Yes
Heating Mode Selection			Automatic when gas is selected
Gas and Electric Operation			Yes
Night Time Setting			Yes
Fault Indication			Yes
Lockout Reset at Control Panel			Yes
AC Current Limit	No		Yes
AC Current Draw Display			No
Timer Settings			No
Battery Status Indicator			No
Auto Dim Display			Yes
Proximity Sensing			No
Communication Protocol			LIN



WATER

[Electric Pumps](#)

[Manuel Pumps](#)

[Plumbing](#)

[Water System Accessories](#)

[Taps](#)

EASI-SLIDE

[Easi-Slide Sockets](#)

HEAT

[Space Heating](#)

[Water Heating](#)

[Control Panels](#)

SPARES

[Spares](#)

HEAT CONTROL

THE WHALE HEAT CONTROL PANEL LETS YOU HAVE FULL CONTROL OF YOUR SPACE AND WATER TEMPERATURES. IT'S SLEEK DESIGN AND MOTION SENSOR ACTIVATION MAKE IT THE IDEAL CHOICE FOR THE MODERN LEISURE VEHICLE.

- ▶ Intuitive design and easy to use control panel
- ▶ Offers a range of settings for both water and space heaters
- ▶ Compact and low profile installation
- ▶ Modern capacitive touch technology
- ▶ Discreet LED lighting



UI0221LB



UI0211LB

	UI0111LB	UI0121LB	UI0211LB	UI0212LB	UI0221LB	UI0222LB	UI0231LB	UI0232LB
Application	Space Heating	Water Heating	Space Heating	Water Heating	Space and Water Heating			
Interface	Capacitive Touch							
Adjustable Temperature	Yes							
Temperature Display/Indication	Yes							
Frost Protection Setting	Yes							
Heating Mode Selection	Yes							
Gas and Electric Operation	N/A	N/A	N/A	Yes	N/A	Yes	N/A	Yes
Night Time Setting	Yes	N/A	Yes	Yes	N/A	N/A	Yes	Yes
Fault Indication	Yes							
Lockout Reset at Control Panel	Yes							
AC Current Limit	N/A	N/A	N/A	Yes	N/A	Yes	N/A	Yes
AC Current Draw Display	No							
Timer Settings	No							
Battery Status Indicator	No							
Auto Dim Display	Yes							
Proximity Sensing	Yes							
Communication Protocol	LIN							
Bus Capability	No	No	Yes	Yes	Yes	Yes	Yes	Yes

IVAN

IVAN IS THE EASY WAY TO CONTROL YOUR LIVING ENVIRONMENT. THIS INTUITIVE CONTROL PANEL LETS YOU SET UP TO 3 TIMERS PER DAY AND GIVES YOU FULL CONTROL OVER WATER AND AIR TEMPERATURES.



IVAN

	IV2132LR
Application	Space & Water Heating
Interface	Touch Screen
Adjustable Temperature	Yes
Temperature Display/Indication	Yes
Frost Protection Setting	Yes
Heating Mode Selection	Automatic when gas is selected
Gas and Electric Operation	Yes
Night Time Setting	Yes
Fault Indication	Yes
Lockout Reset at Control Panel	Yes
AC Current Limit	Yes
AC Current Draw Display	Yes
Timer Settings	Yes
Battery Status Indicator	Yes
Auto Dim Display	Yes
Proximity Sensing	No
Communication Protocol	LIN
Bus Capability	No



**WATER**[Electric Pumps](#)[Manuel Pumps](#)[Plumbing](#)[Water System
Accessories](#)[Taps](#)**EASI-SLIDE**[Easi-Slide Sockets](#)**HEAT**[Space Heating](#)[Water Heating](#)[Control Panels](#)**SPARES**[Spares](#)**SPARES**

As part of our drive to provide outstanding Customer Service, Whale ensures there is a comprehensive range of spare parts available.

Whether you need something for an Easi-Slide socket or your Heat Air Heater, we have you covered.



WATER

Electric Pumps

Manuel Pumps

Plumbing

Water System Accessories

Taps

EASI-SLIDE

Easi-Slide Sockets

HEAT

Space Heating

Water Heating

Control Panels

SPARES

Spares

SPACE HEATER MK 2, MK 3 AND MK 4 (METAL BOX ENCLOSURE)

AVAILABLE SPARES

PART NUMBER	DESCRIPTION	SPACE HEATER	BURNER AND ELECTRODE	GAS TRAIN	ELECTRIC ELEMENTS INCL WIRING	MAIN PCB
SC2212	Ci-bus Underfloor Sh Mk2 G&e	AK1927	AK1261	AK1259	AK1258	AK1885
SETSH2212 A	Sh Uf2kw G+eSet A	AK1933	AK1261	AK1259	AK1258	AK1264
		AK1934				AK1885
SETSH2212 D	Sh Uf2kw G+eSet D	AK1933	AK1261	AK1259	AK1258	AK1264
		AK1934				AK1885
SH2201	Space Heater Gas Only Mk2	AK1928	AK1261	AK1259	-	AK1264
		AK1929				AK1885
SH2202	Space Heater Mk2 G&e	AK1930	AK1261	AK1259	AK1258	AK1264
		AK1966				AK1885
SH2202B	Space Heater Mk2 G&e	AK1930	AK1261	AK1259	AK1258	AK1264
		AK1966				AK1885
SH2211B	Underfloor Sh Gas Only Mk2	AK1931	AK1261	AK1259	-	AK1264
		AK1932				AK1885
SH2212B	Underfloor Sh Mk2 G&e	AK1933	AK1261	AK1259	AK1258	AK1264
		AK1934				AK1885
SH2212BR	Spaceheater Underfloor Mk2 G&e	AK1933	AK1261	AK1259	AK1258	AK1264
		AK1934				AK1885
SH4312B	U/floor Sh Mk2 4kw G+e	AK1935	AK1262	AK1260	AK1258	AK1264
		AK1936				AK1885
SH4312BMH	Sh 4.0s G+e Mtrhme/bulk	AK1935	AK1262	AK1260	AK1258	AK1264
		AK1936				AK1885
SH4312MB	Pobs Sh 4.0s G+e Mtrhme/bulk	AK1935	AK1262	AK1260	AK1258	AK1264
		AK1936				AK1885
SH4412IB	Sh 4.3s G+e Iso/ Bulk	AK1937	AK1262	AK1260	AK1248	AK1265
		AK1938				AK1969
SH4412IR	Sh 4.3s G+e Iso/ Return	AK1937	AK1262	AK1260	AK1248	AK1265
		AK1938				AK1969
SI4312B	U/floor Sh Mk2 4kw G+e Ivan	AK1939	AK1262	AK1260	AK1258	AK1264
		AK1940				AK1885
SI4312IB	Sh 4s G+e Iso/ Bulk	AK1939	AK1262	AK1260	AK1258	AK1264
		AK1940				AK1885
SI4312IR	Sh 4s G+e Iso/ Return	AK1939	AK1262	AK1260	AK1258	AK1264
		AK1940				AK1885
SI4412IR	Sh 4.3s G+e Ivan Iso / Return	AK1941	AK1262	AK1260	AK1248	AK1265
		AK1942				AK1969
SL4312IR	SI 4.0s G+e Lin/Iso /returnn	AK1943	AK1262	AK1260	AK1258	AK1264
		AK1944				AK1885

(*) Note: other control panels might be suitable, please refer to control panel spares for reference.

COMMUNICATIONS PCB	TEMPERATURE SENSOR	OVERHEAT STAT	MOTOR ASSY	AIR FLOW SENSOR	CONTROL PANEL	CONTROL PANEL SURROUND	WIRING HARNESS CONTROL	WIRING HARNESS 230V	PCBA FUSE
AK1887	AK1249	AK1949	AK1263	AK1267	AK1950	AK1857	-	AK1880	AK1219
-	AK1249	AK1949	AK1263	AK1267	AK1270	AK1954	AK1257B	AK1880	AK1219
-	AK1249	AK1949	AK1263	AK1267	AK1270	AK1954	AK1257B	AK1880	AK1219
-	AK1249	AK1949	AK1263	AK1267	AK1269	AK1954	AK1256B	-	AK1219
-	AK1249	AK1949	AK1263	AK1267	AK1270	AK1954	AK1257B	AK1881	AK1219
-	AK1249	AK1949	AK1263	AK1267	AK1270	AK1954	AK1257B	AK1880	AK1219
-	AK1249	AK1949	AK1263	AK1267	AK1269	AK1954	AK1256B	-	AK1219
-	AK1249	AK1949	AK1263	AK1267	AK1270	AK1954	AK1257B	AK1880	AK1219
-	AK1249	AK1949	AK1263	AK1267	AK1270	AK1954	AK1257B	AK1880	AK1219
-	AK1249	AK1949	AK1247	AK1267	AK1273	AK1954	-	AK1880	AK1219
-	AK1249	AK1949	AK1247	AK1267	AK1273	AK1954	-	AK1880	AK1219
-	AK1249	AK1949	AK1247	AK1267	AK1273	AK1954	-	AK1880	AK1219
-	AK1249	AK1949	AK1247	AK1267	AK1273	AK1954	-	AK1880	AK1219
-	AK1249	AK1949	AK1247	AK1267	AK1273	AK1954	-	AK1880	AK1219
-	AK1249	AK1949	AK1247	AK1267	AK1273	AK1954	-	AK1880	AK1219
-	AK1249	AK1949	AK1247	AK1267	AK1273	AK1954	-	AK1880	AK1219
AK1246	AK1249	AK1949	AK1247	AK1267	AK1290	AK1955	-	AK1880	AK1219
AK1246	AK1249	AK1949	AK1247	AK1267	AK1290	AK1955	-	AK1880	AK1219
AK1246	AK1249	AK1949	AK1247	AK1267	AK1290	AK1955	-	AK1880	AK1219
AK1246	AK1249	AK1949	AK1247	AK1267	AK1290	AK1955	-	AK1880	AK1219
AK1246	AK1249	AK1949	AK1247	AK1267	AK1300	AK1955	-	AK1880	AK1219
AK1246	AK1249	AK1949	AK1247	AK1267	AK1302	AK1956	-	AK1880	AK1219
AK1948	AK1249	AK1949	AK1247	AK1267	-	-	-	AK1880	AK1219

Table continued ▶

SPARES





WATER

[Electric Pumps](#)

[Manuel Pumps](#)

[Plumbing](#)

[Water System Accessories](#)

[Taps](#)

EASI-SLIDE

[Easi-Slide Sockets](#)

HEAT

[Space Heating](#)

[Water Heating](#)

[Control Panels](#)

SPARES

[Spares](#)

RAPID HEAT (8 LTRS AND 13 LTRS)

AVAILABLE SPARES

PART NUMBER	DESCRIPTION	SPACE HEATER	BURNER	ELECTRIC ELEMENT	MAIN PCB	COMMUNICATIONS PCB	PRD VALVE	PRDV LEVER
WC0802B	Cl-bus Water Heater 8lG+e	AK1870	AK1206	AK1225	AK1885	AK1886	AK1205	AK1879
WH0802	Whale Water Heater 8l G+e Retail	AK1871 AK1872	AK1206	AK1225	AK1264 AK1885	-	AK1205	AK1879
WH0802B	Whale Water Heater 8l G+e	AK1871 AK1872	AK1206	AK1225	AK1264 AK1885	-	AK1205	AK1879
WH0802BR	Whale Water Heater 8l G+e	AK1871 AK1872	AK1206	AK1225	AK1264 AK1885	-	AK1205	AK1879
WH0822	Whale Water Heater 8l Gas Only	AK1873 AK1874	AK1206	-	AK1264 AK1885	-	AK1205	AK1879
WH0822B	Water Heater 8l Gas Analogue On Board	AK1873 AK1874	AK1206	-	AK1264 AK1885	-	AK1205	AK1879
WH0822BR	Whale Water Heater 8l Gas Only	AK1873 AK1874	AK1206	-	AK1264 AK1885	-	AK1205	AK1879
WH1302	Whale Water Heater G&e Mk2 Rtl	AK1877 AK1878	AK1207	AK1224	AK1264 AK1885	-	AK1205	AK1879
WH1302B	Whale Water Heater G&e Mk2	AK1877 AK1878	AK1207	AK1224	AK1264 AK1885	-	AK1205	AK1879
WH1302BR	Whale Water Heater G&e Mk2 Returnable	AK1877 AK1878	AK1207	AK1224	AK1264 AK1885	-	AK1205	AK1879
WH1312B	Whale Water Heater G&e Mk2 Sil	AK1877 AK1878	AK1207	AK1224	AK1264 AK1885	-	AK1205	AK1879
WI0802B	Whale Water Heater 8l G+elvan	AK1875 AK1876	AK1206	AK1225	AK1264 AK1885	AK1226	AK1205	AK1879
WI0802BR	Whale Water Heater 8l G+e Ivan	AK1875 AK1876	AK1206	AK1225	AK1264 AK1885	AK1226	AK1205	AK1879
WL0802R	Whale Water Heater 8l G+e Lin	AK1945 AK1946	AK1206	AK1225	AK1264 AK1885	AK1947	AK1205	AK1879

(*) Note: other control panels might be suitable, please refer to control panel spares for reference.

TEMPERATURE SENSOR	OVERHEAT STAT	CONTROL PANEL(*)	WIRING HARNESS CONTROL	WIRING HARNESS 230V	FLUE TERMINAL	BRAIDED HOSE 12MM	VAC RELIEF VALVE	PCBA FUSE	ELECTRODE	3/8"MX12MM ADPT
AK1208	AK1213	AK1950	-	AK1880	AK1215	AK1883 AK1884	AK1227 AK1228	AK1219	AK1220	AK1223
AK1208	AK1213	AK1217	AK1882	AK1881	AK1215	AK1883 AK1884	AK1227 AK1228	AK1219	AK1220	AK1223
AK1208	AK1213	AK1217	-	AK1880	AK1215	AK1883 AK1884	AK1227 AK1228	AK1219	AK1220	AK1223
AK1208	AK1213	AK1217	-	AK1880	AK1215	AK1883 AK1884	AK1227 AK1228	AK1219	AK1220	AK1223
AK1208	AK1213	AK1218	AK1882	-	AK1215	AK1883 AK1884	AK1227 AK1228	AK1219	AK1220	AK1223
AK1208	AK1213	AK1218	-	-	AK1215	AK1883 AK1884	AK1227 AK1228	AK1219	AK1220	AK1223
AK1209	AK1213	AK1217	AK1882	AK1881	AK1215	AK1883 AK1884	AK1227 AK1228	AK1219	AK1221	AK1223
AK1209	AK1213	AK1217	-	AK1880	AK1215	AK1883 AK1884	AK1227 AK1228	AK1219	AK1221	AK1223
AK1209	AK1213	AK1217	-	AK1880	AK1215	AK1883 AK1884	AK1227 AK1228	AK1219	AK1221	AK1223
AK1208	AK1213	AK1290 AK1297 AK1299 AK1302	-	AK1880	AK1215	AK1883 AK1884	AK1227 AK1228	AK1219	AK1220	AK1223
AK1208	AK1213	AK1290 AK1297 AK1299 AK1302	-	AK1880	AK1215	AK1883 AK1884	AK1227 AK1228	AK1219	AK1220	AK1223
AK1208	AK1213	-	-	AK1880	AK1215	AK1883 AK1884	AK1227 AK1228	AK1219	AK1220	AK1223

Table continued ▶





WATER

[Electric Pumps](#)

[Manuel Pumps](#)

[Plumbing](#)

[Water System Accessories](#)

[Taps](#)

EASI-SLIDE

[Easi-Slide Sockets](#)

HEAT

[Space Heating](#)

[Water Heating](#)

[Control Panels](#)

SPARES

[Spares](#)

HEAT AIR SPACE HEATER

AVAILABLE SPARES

PART NUMBER	ROOM HEATER	HOUSING SCREW KIT	COMBUSTION AIR MOTO	BLOWN AIR MOTOR	BLOWN AIR FAN	BURNER	GAS HEAT EXCHANGER	ELECTRODE	SOLENOID KIT
SETSL3511A Air 3kw GasTwn UF Set A	SL35X1	AK1830	AK1832	AK1833	AK1834	AK1839	AK1840	AK1841	AK1842
SETSL5511A Air 4kw Gas Sgl Uf Set A	SL55X1	AK1830	AK1831	-	AK1834	AK1839	AK1840	AK1841	AK1842
SETSL6511A Air 5kw Gas Twn Uf Set A	SL65X1	AK1830	AK1832	AK1833	AK1834	AK1839	AK1840	AK1841	AK1843
SETSL5512A Air 5kw Gas Ele Uf Set A	SL55X2	AK1830	AK1832	AK1833	AK1834	AK1839	AK1840	AK1841	AK1842
SETSL7512A Air 6kw Gas Ele Twn Uf Set A	SL75X2	AK1830	AK1832	AK1833	AK1834	AK1839	AK1840	AK1841	AK1843
SETSL5511D Air 4kw Gas Sgl Uf Set D	SL55X1	AK1830	AK1831	-	AK1834	AK1839	AK1840	AK1841	AK1842
SETSL6511D Air 5kw Gas Twn Uf Set D	SL65X1	AK1830	AK1832	AK1833	AK1834	AK1839	AK1840	AK1841	AK1843
SETSL7512D Air 6kw Gas Ele Twn Uf Set D	SL75X2	AK1830	AK1832	AK1833	AK1834	AK1839	AK1840	AK1841	AK1843
SL5512UR Air 5kw Gas Elec Twn Uf	SL55X2	AK1830	AK1832	AK1833	AK1834	AK1839	AK1840	AK1841	AK1842

