

Yolculuk Bizimle Başlar!

DOMETIC Whale

BABARVY ALKO Eberspächer

LIPPERT Truma indelB

THULE SWEDEN victron energy BLUE POWER

SOLARA module. komponenten. systeme CBE Fischer Panda

THETFORD ARANA

COMET SMART • EQUIPMENT • SOLUTIONS ACRYFORM PLASTOFORM autoterm

POLYPLASTIC Linetech ECOFLOW Bio

ABL SANJO ilse REICH jokon Competence in Lighting

FIAMMA EP Kampa



Markalar üzerine tıklayarak ilgili kataloğa ulaşabilirsiniz.



- [Space on Demand](#)
- [Bike Carriers](#)
- [Windows & Roof Vents](#)
- [Doors & Service Doors](#)
- [Steps](#)
- [Blinds & Flyscreens](#)
- [Beds, Accessories & Ladders](#)
- [TV Brackets](#)
- [Table Legs](#)
- [Water Tanks](#)
- [Accessories](#)



SPACE ON DEMAND

Open up your customer's camper van with our integrated, Vela pop-up or get space-on-demand with a Lippert slide-out. Our award-winning SmartRoom slide-out increases living space, all the while remaining compact when driving.

Whenever, wherever, we make your experience better.



SPACE ON DEMAND



SPACE ON DEMAND

VELA

Fiat Ducato, Peugeot Boxer, Citroën Jumper H2 pop-up roof

⚠ The quality of this product is granted exclusively with colors allowing the fulfilment of the following criteria: reflectance higher than 55% / absorptency lower than 0,2%.
For any clarification please contact our Customer Service at info-europe@lippertcomponents.com.



Air conditioning vent detail



Spotlight with USB plug detail



Roof handle detail



Roof led stripes detail



Opening handle detail



Plug and switch detail

Thermoformed-twin-sheet-technology built pop-up roof for Fiat Ducato H2 with 200 x 130 cm double bed and hot and cold air system

Product shape repeatability:

Utilizes thermoformed, twin-sheet technology instead of fiberglass, making it easier to produce and saving on the total product weight.

Air conditioning and heating arrangements:

The patented design provides a layer of versatility for multiple uses and arrangements.

Weight optimization:

This product was intelligently engineered using materials that help to reduce weight.

- **Color:** GLOSSED GREY RAL7040 (reflectance higher than 55%/absorbance lower than 0,2%)
- **Bed frame with slats:** Large aluminum bed frame with wooden slats
- **Lateral bed lights:** Two LED light with a USB port integrated
- **Switch:** Main switch to control the roof light with 2 USB port integrated
- **Roof lights:** Two LED strips fully integrated into the roof countertop
- **Wiring:** All the electric cable needed to manage the roof light and solar panel
- **Ladder:** A folding ladder strong and cool to climb on the roof
- **Glue:** A specific glue tested to have the best installation performance

Part #	Solar Panel Allowance	Material	Coating
2021104227	220 watts	Thermoformed (ABS + PMMA)	100% polyester double-coated

Space	Length	Width	Height
Closed	3.000 mm	1.620 mm	260 mm
Opened	3.000 mm	1.620 mm	1.080 mm
Entrance	1.100 mm	600 mm	--
Bed base	1.950 mm	1.250 mm	35 mm
Mattress	1.950 mm	1.250 mm	50 mm



SPACE ON DEMAND



- [Space on Demand](#)
- [Bike Carriers](#)
- [Windows & Roof Vents](#)
- [Doors & Service Doors](#)
- [Steps](#)
- [Blinds & Flyscreens](#)
- [Beds, Accessories & Ladders](#)
- [TV Brackets](#)
- [Table Legs](#)
- [Water Tanks](#)
- [Accessories](#)

AND
STEPS

VELA

Ford Transit custom pop-up roof

COMING
SOON
2022



FRONT Version - pop-up



REAR Version - pop-up





SPACE ON DEMAND

SMARTROOM®

Slide-out

Lippert leads the industry in innovative slide-out technology for leisure vehicles, building more than 600,000 slide-out systems for the world market every year. We have more than 80 slide-out-related patents and offer a complete line of slide-out solutions to maximize space and enhance the camping experience.

The award-winning SmartRoom slide-out increases the living space within your caravan or motorcaravan.

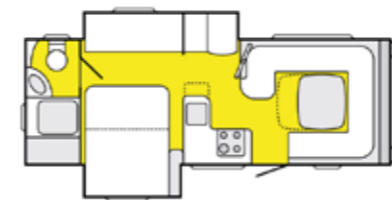
More space. Less weight.

The space created by the SmartRoom weighs less than the space of the rest of the vehicle because it does not require additional frame and chassis components. With its innovative design, the vehicle maintains its overall length, weighs less and features more living space.

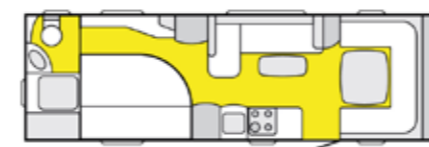
Example specifications

- Shortens caravan length by 813 mm
- Reduces weight by 106 kg
- Increases space by 0,60 square meters

This example layout not only increases living space while decreasing unit weight; it also makes the unit easier to walk through.



SmartRoom version



Standard version

Figure	Weight	Length	Area	Transportation Width
SmartRoom	1.868 kg	6.651 mm	17,60 sqm	2.286 mm
Standard	1.974 kg	7.464 mm	17,00 sqm	2.286 mm





[Space on Demand](#)

[Bike Carriers](#)

[Windows & Roof Vents](#)

[Doors & Service Doors](#)

[Steps](#)

[Blinds & Flyscreens](#)

[Beds, Accessories & Ladders](#)

[TV Brackets](#)

[Table Legs](#)

[Water Tanks](#)

[Accessories](#)

SPACE ON DEMAND

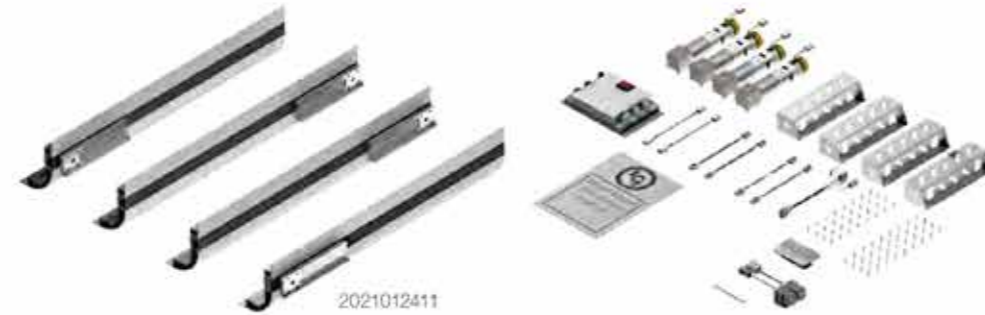
SMARTROOM KITS

The SmartRoom kit extends your vehicle's wall to allow you to increase space and decrease the overall weight of your vehicle, giving you the same comfort of a motorhome. The system is also equipped with an 'open SmartRoom' sensor that helps prevent the vehicle from driving away while in the open position.

The four-motor system is versatile, flexible and easy to install. It features a motor at each corner of the room and transfers the movement through a rack and pinion system.

Kits include

- Four corners with pre-assembled motor
- All necessary wiring
- Remote panel
- Control unit and relay kit
- SmartRoom drive key
- Installation manuals of the room and configuration of the control unit



Part #	Max Stroke	Max Dimensions	Weight	Absorption	
				Medium	Peak
2021012411	700 mm	3.500 mm x 2.000 mm	40 kg	10 amps	40 amps
2021092788	1.000 mm	3.500 mm x 2.000 mm	40 kg	10 amps	40 amps

SMARTROOM FRAME KITS

Kits include

- Frame
- Frame brackets
- Seal
- Screws
- Roller supports

The seal is a single piece of rubber designed with a specific V-shape. Working with the wide radius of the angle pieces and flat surfaces of the side walls, this seal provides superior adherence to avoid water leaks and dirt accumulation.

Four motor

The four-motor system is versatile, flexible and easy to install. It features a motor at each corner of the room and transfers the movement through a rack and pinion system.



Part #	Width	Height	Color	Material
2021103466	1.600 mm	1.500 mm	White	Aluminum
2021103455	2.500 mm	2.000 mm	White	Aluminum
2021103464	3.500 mm	2.000 mm	White	Aluminum

SPACE ON DEMAND





- [Space on Demand](#)
- [Bike Carriers](#)
- [Windows & Roof Vents](#)
- [Doors & Service Doors](#)
- [Steps](#)
- [Blinds & Flyscreens](#)
- [Beds, Accessories & Ladders](#)
- [TV Brackets](#)
- [Table Legs](#)
- [Water Tanks](#)
- [Accessories](#)



BIKE CARRIERS

Let your customers bring their bikes along for the adventure with Lippert bike carriers. We offer several different styles to integrate with the layout of the campervan. Our quality designs provide your customers with a reliable solution to confidently transport their bikes.

Whenever, wherever, we make your experience better.

BIKE CARRIERS



R-BIKE VAN

Bike carriers

BIKE CARRIERS

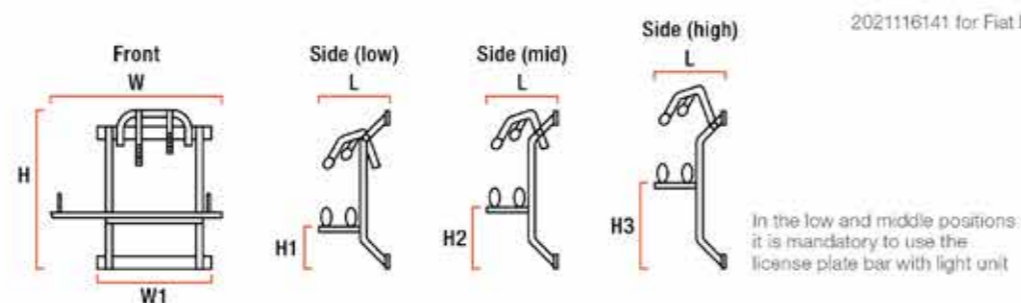
This multi-purpose bike carrier can be installed on the back, right-side door of the van and allows the door to be opened when bikes are loaded. The R-Bike Van allows you to mount the tray-style rail in three different height positions (standard, intermediate and lowered) to allow for easy loading and unloading of the bikes.

- Available in two finishes:
 - Standard version in anodized aluminum
 - Corrosion-resistant automotive finish in all black
- Designed for conversion vans
- Accepts two E-bikes (Can extend to fit three standard bikes with R-Bike 3Rail accessory, sold separately)
- Customizable design for easy installation and mounting
- Robust and secure construction protects valuable bikes
- Built-in anti-vibration device deters unwanted noise
- Designed for serviceability and compatible with multiple accessories



2021117093 for Fiat Ducato

2021116141 for Fiat Ducato



2021104423 for Sprinter

2021104423 for Transit



Mounting system for Fiat Ducato



Mounting system for Ford Transit, Mercedes-Benz Sprinter and Volkswagen Crafter



BIKE CARRIERS

Part #	Fits	Years	Finish	Number of Bikes
2021117093	Fiat Ducato	2006+	Silver	Up to 3 (with extension)
2021116141	Fiat Ducato	2006+	Black	Up to 3 (with extension)
2021103643	Ford Transit	2014+	Silver	Up to 3 (with extension)
2021103668	Ford Transit	2014+	Black	Up to 3 (with extension)
2021103635	Mercedes-Benz Sprinter	2020+	Silver	Up to 3 (with extension)
2021103623	Mercedes-Benz Sprinter	2020+	Black	Up to 3 (with extension)
2021103620	Volkswagen Crafter	2017+	Silver	Up to 3 (with extension)
2021103655	Volkswagen Crafter	2017+	Black	Up to 3 (with extension)

Part #	W	W1	H	H1	H2	H3	L	Weight	Capacity
2021117093	1.328 mm	825 mm	1.259 mm	277 mm	477 mm	677 mm	564 mm	10 kg	40 kg
2021116141	1.328 mm	825 mm	1.259 mm	277 mm	477 mm	677 mm	564 mm	10 kg	40 kg
2021103643	1.328 mm	825 mm	1.259 mm	277 mm	477 mm	677 mm	564 mm	10 kg	40 kg
2021103668	1.328 mm	825 mm	1.259 mm	277 mm	477 mm	677 mm	564 mm	10 kg	40 kg
2021103635	1.328 mm	825 mm	1.259 mm	277 mm	477 mm	677 mm	564 mm	10 kg	40 kg
2021103623	1.328 mm	825 mm	1.259 mm	277 mm	477 mm	677 mm	564 mm	10 kg	40 kg
2021103620	1.328 mm	825 mm	1.259 mm	277 mm	477 mm	677 mm	564 mm	10 kg	40 kg
2021103655	1.328 mm	825 mm	1.259 mm	277 mm	477 mm	677 mm	564 mm	10 kg	40 kg



- [Space on Demand](#)
- [Bike Carriers](#)
- [Windows & Roof Vents](#)
- [Doors & Service Doors](#)
- [Steps](#)
- [Blinds & Flyscreens](#)
- [Beds, Accessories & Ladders](#)
- [TV Brackets](#)
- [Table Legs](#)
- [Water Tanks](#)
- [Accessories](#)

BIKE CARRIERS

R-BIKE ACCESSORIES



R-BIKE 3RAIL & R-BIKE 3RAIL TB

- Allows R-Bike Van bike carrier to transport three standard bikes



R-BRAKO 1 & R-BRAKO 2

- Provides enhanced security for bikes
- Comes in short or long lengths to holding first and second bikes



R-CAP

- Replaces broken or lost end caps on the R-bike Van tray rails



R-RAIL

- Replaces broken R-bike tray rails on the R-bike Van



R-BRAKO PLIE

- Provides enhanced security for bikes
- Pivot points for versatile fit



R-KNOB

- Replaces broken or lost knobs on the R-bike Van



R-BAR TB & R-BAR

- Converts R-Bike Van into a multi-use carrier for transporting kite surf, panels and other equipment



R-WIRE

- Provides enhanced security for bikes



R-YOLDA WIRE

- Replaces broken R-Wire components



R-YOLDA BRAKO

- Replaces broken R-Braکو components



BIKE CARRIERS

Part #	Description	Finish
2021103697	R-Bike 3Rail accessory	Anodized aluminum
2021103640	R-Bike 3Rail TB accessory	All black
2021118735	R-Braکو 1 locking bike arm - short	Anodized aluminum
2021116085	R-Braکو 1 locking bike arm - short	All black
2021118710	R-Braکو 2 locking bike arm - long	Anodized aluminum
2021116108	R-Braکو 2 locking bike arm - long	All black
2021118769	R-Braکو Plie - articulating, locking bike arms	Anodized aluminum
2021117150	R-Braکو Plie - articulating, locking bike arms	All black
2021103691	R-Rail	Black and orange
2021116102	R-Cap (includes two)	Orange
2021116165	R-Knob (includes one)	Black and orange

Part #	Description	Finish
2021103687	R-Bar multi-use conversion kit	Anodized aluminum
2021103667	R-Bar TB multi-use conversion kit	All black
2021116107	R-Wire (includes two)	Black and orange
2021116176	R-Yolda Wire (includes two)	Black
2021116086	R-Yolda Braکو (includes two)	Black



Space on Demand

Bike Carriers

Windows & Roof Vents

Doors & Service Doors

Steps

Blinds & Flyscreens

Beds, Accessories & Ladders

TV Brackets

Table Legs

Water Tanks

Accessories

BIKE CARRIERS

BIKE-LOAD

Electric bike lifting systems

- Aluminum tread plate floor to be lightweight and corrosion-resistant
- Integrated bike rack accommodates most bike sizes, motorcycles and mopeds
- Ready for electrical outlet integration
- Compatible with class-A motorhomes with rear cargo door



Part #	↕ L	↕ W	↕ H	📦	🏠 Work	🏠 Static
2021114872	2334 mm	540 mm	170 mm	27 kg	100 kg	250 kg
2021103694	2334 mm	540 mm	170 mm	30,5 kg	140 kg	250 kg

SUPPY

Manual motorbike lifting system

- All-aluminum construction to be strong, lightweight and corrosion-resistant
- Adjustable wheel lock allows compatibility with all types of motorbikes
- Ready for electrical outlet integration
- Four safety straps required to secure motorbike (not included)
- Kit includes floor-mounted carrier, loading rail and wheel lock

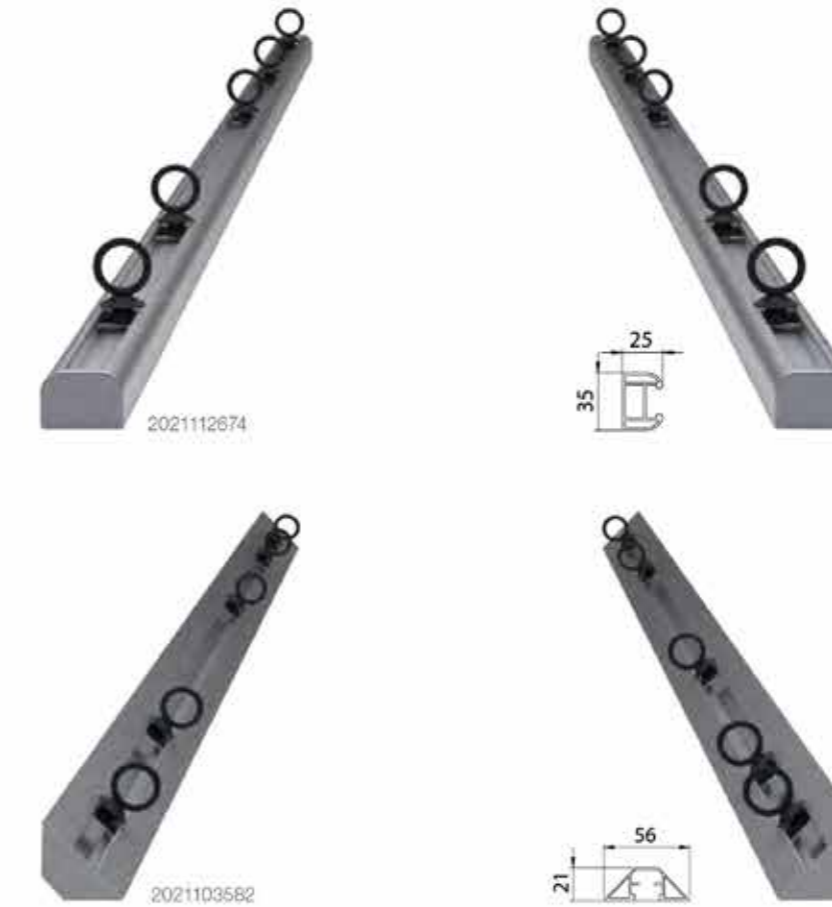


Part #	Number of Bikes	📦	↕ L	↕ W	↕ H
2020351505	1	10,5 kg (fixed carrier) 4,7 kg (loading rail)	1.950 mm (fixed carrier) 1.950 mm (loading rail)	250 mm (fixed carrier) 160 mm (loading rail)	250 mm (fixed carrier) 35 mm (loading rail)

HOLDY FLAT & HOLDY CORNER

Profile garage bike holders

- Aluminum construction to be lightweight and corrosion-resistant
- Compatible with all kinds of bikes and motorbikes
- Installs with screws, sold separately (glue is optional)



Part #	Name	Number of Rings	↕ L	↕ W	↕ H
2021112674	Holdy Flat	5	2000 mm	25 mm	35 mm
2021103582	Holdy Corner	5	2000 mm	21 mm	56 mm

HOLDY HANG

Holdy Hang accessory hooks

- Add or replace the hooks for Holdy Flat or Holdy Corner
- Includes four hooks and installation hardware

Part #	Name	Number of Rings
2021103607	Holdy Hang	4



BIKE CARRIERS



- [Space on Demand](#)
- [Bike Carriers](#)
- [Windows & Roof Vents](#)
- [Doors & Service Doors](#)
- [Steps](#)
- [Blinds & Flyscreens](#)
- [Beds, Accessories & Ladders](#)
- [TV Brackets](#)
- [Table Legs](#)
- [Water Tanks](#)
- [Accessories](#)



WINDOWS & ROOF VENTS

Polyplastic caravan and campervan windows provide a clear view of the adventure, featuring high-quality construction and intuitive functionality coupled with seamless integrated designs.

Whenever, wherever, we make your experience better.



WINDOWS & ROOF VENTS

Polyplastic window features

- Made from cast acrylic PMMA (Roxite®)
- Shatterproof sheet material with 3 mm nominal thickness
- Exceptional optical and thermal properties
- High transparency and higher light transmission compared to other solutions
- Lighter and 11 times stronger on impact than glass solutions
- Special UV protection against fading and yellowing
- Various decorative screen print options
- Standard 2-year warranty
- E1 approved

See the following pages for our window offering.



- [Space on Demand](#)
- [Bike Carriers](#)
- [Windows & Roof Vents](#)
- [Doors & Service Doors](#)
- [Steps](#)
- [Blinds & Flyscreens](#)
- [Beds, Accessories & Ladders](#)
- [TV Brackets](#)
- [Table Legs](#)
- [Water Tanks](#)
- [Accessories](#)

WINDOWS & ROOF VENTS

PRIMO

Hinged window system

- Entry-level top-hung hinged window system
- Designed for side and rear RV windows, custom available for RV front windows
- Modular system with options and a choice of parts and accessories
- Bulged, robust design with solid edges
- Double pane, cast acrylic window with a flat unformed inner sheet and thermoformed outer sheet
- Window system comes standard with integrated Polyfix catches for quick and easy installation (no screws needed)
- System options available for acrylic, screen and hinge bar colors, parts and accessories
- Screw connected aluminum top hinge bar
- Tubular or automatic stays allow for opening in every position
- Optional integrated lock button in the catches



Top Corner Radius	Standard Wall Aperture Ranges		Wall Aperture Radius	H	W
	W	H			
13 mm	350 mm to 1.450 mm	250 mm to 800 mm	R75	27 mm to 37 mm	1,3 kg to 6,4 kg

MEZZO

Hinged window system

- Mainstream top-hung hinged window system
- Designed for side and rear RV windows, custom available for RV front windows
- Modular system with options and a choice of parts and accessories
- Sleek, elegant design with soft edges
- Double pane, cast acrylic window with a flat unformed inner sheet and thermoformed outer sheet
- Window system comes standard with integrated Polyfix catches for quick and easy installation (no screws needed)
- System options available for acrylic, screen and hinge bar colors, screen design, parts and accessories
- Screw connected aluminum top hinge bar
- Tubular or automatic stays allow for opening in every position
- Optional integrated lock button in the catches



Top Corner Radius	Standard Wall Aperture Ranges		Wall Aperture Radius	H	W
	W	H			
15 mm	450 mm to 900 mm	350 mm to 550 mm	R75	27 mm to 37 mm	2,5 kg to 5,0 kg



WINDOWS & ROOF VENTS

AERO

Hinged window system

- Premium top-hung hinged window system
- Designed for side and rear RV windows, custom available for RV front windows
- Modular system with options and a choice of parts and accessories
- Flush, premium design with smooth edges
- Double pane, cast acrylic window with a thermoformed inner and outer sheet
- Window system comes standard with integrated Polyfix catches for quick and easy installation (no screws needed)
- System options available for acrylic, screen and hinge bar colors, screen design, parts and accessories
- Screw connected aluminum top hinge bar
- Tubular or automatic stays allow for opening in every position
- Optional integrated lock button in the catches



Top Corner Radius	Standard Wall Aperture Ranges		Wall Aperture Radius	H	W
	W	H			
14 mm	300 mm to 1.800 mm	300 mm to 1.030 mm	R75	18 mm to 28 mm	2,1 kg to 13,6 kg



- [Space on Demand](#)
- [Bike Carriers](#)
- [Windows & Roof Vents](#)
- [Doors & Service Doors](#)
- [Steps](#)
- [Blinds & Flyscreens](#)
- [Beds, Accessories & Ladders](#)
- [TV Brackets](#)
- [Table Legs](#)
- [Water Tanks](#)
- [Accessories](#)

WINDOWS & ROOF VENTS

POLYVISION SLIDE

Aluminum framed window system

- Manually operated sliding window
- Designed for side and rear RV windows
- Sleek design, suitable for straight walls
- Double pane, cast acrylic window with a thermoformed inner sheet and thermoformed or unformed outer sheet
- Strong and lightweight powder-coated aluminum frame
- Window system comes standard with a specially designed integrated catch for easy open / close operation
- Window comes standard with decorative screen print
- Soft flaked rubber layered sliding rails
- System options available for acrylic, screen and frame colors, parts and accessories
- Pre-mounted assembly with catch and rubber for quick and easy installation



Specially designed, integrated catch for easy operation



Strong and lightweight powder-coated aluminum frame

Standard Wall Aperture Ranges		Wall Aperture Radius	H	Wall Thickness	Weight
W	H				
350 mm to 1.300 mm	300 mm to 900 mm	R75	7 mm to 33 mm	24 mm to 38 mm	1,8 kg to 4,2 kg

POLYVISION ECO

Aluminum framed window system

- Designed for side and rear RV windows
- Bulged design, suitable for straight walls
- Double pane, cast acrylic window with a flat unformed inner sheet and thermoformed outward bulged outer sheet
- Strong and lightweight powder-coated aluminum frame
- A unique integrated thermal bridge inside the window frame reduces condensation
- Window system comes standard with integrated Polyfix catches
- System options available for acrylic, screen and frame colors, parts and accessories
- Tubular or automatic stays allow for opening in every position
- Pre-mounted assembly with catches, stays, rubber and locking plates for quick and easy installation



Includes integrated Polyfix catches



Special night position for extra ventilation

Standard Wall Aperture Ranges		Wall Aperture Radius	H	Wall Thickness	Weight
W	H				
350 mm to 1.800 mm	200 mm to 900 mm	R75	23 mm to 33 mm	24 mm to 44 mm	1,1 kg to 9,0 kg



WINDOWS & ROOF VENTS

POLYVISION AERO

Aluminum framed window system

- Designed for side and rear RV windows
- Flush design, suitable for straight walls
- Double pane, cast acrylic window with a thermoformed bulged inward inner sheet and thermoformed flush outer sheet
- Strong and lightweight powder-coated aluminum frame
- A unique integrated thermal bridge inside the window frame reduces condensation
- Window system comes standard with integrated screwed catches with lock button
- System options available for acrylic, screen and frame colors, parts and accessories
- Tubular or automatic stays allow for opening in every position
- Pre-mounted assembly with catches, stays, rubber and locking plates for quick and easy installation



Flush design, suitable for straight walls



Strong and lightweight powder-coated aluminum frame



Includes integrated screwed catches with lock button



Tubular or automatic stays allow for opening in every position

Standard Wall Aperture Ranges		Wall Aperture Radius	H	Wall Thickness	Weight
W	H				
350 mm to 1.600 mm	250 mm to 1.000 mm	R75	7 mm to 17 mm	24 mm to 44 mm	1,3 kg to 11,0 kg



- [Space on Demand](#)
- [Bike Carriers](#)
- [Windows & Roof Vents](#)
- [Doors & Service Doors](#)
- [Steps](#)
- [Blinds & Flyscreens](#)
- [Beds, Accessories & Ladders](#)
- [TV Brackets](#)
- [Table Legs](#)
- [Water Tanks](#)
- [Accessories](#)



WINDOWS & ROOF VENTS

WINDOWS & ROOF VENTS

POLYVISION CURVED

Aluminum framed window system

- Suitable for the side of a Fiat Ducato (R4991)
- Flush design, suitable for curved walls
- Double pane, cast acrylic window with a thermoformed bulged inward inner sheet and thermoformed flush curved outer sheet
- Strong and lightweight powder-coated aluminum frame
- A unique integrated thermal bridge inside the window frame reduces condensation
- Window system comes standard with integrated screwed catches with lock button
- System options available for acrylic, screen and frame colors, parts and accessories
- Tubular or automatic stays for opening in every position
- Pre-mounted assembly with catches, stays, rubber and locking plates for quick and easy installation



Flush design, suitable for curved walls.



Tubular or automatic stays allow for opening in every position



Includes integrated screwed catches with lock button



Strong and lightweight powder-coated aluminum frame

←→ Standard Wall Aperture Ranges		Wall Aperture Radius	Weight	Wall Thickness	Weight
W	H				
220 mm to 1.300 mm	300 mm to 600 mm	R75	7 mm to 17 mm	24 mm to 44 mm	1,4 kg to 9,8 kg

ADDITIONAL PARTS & ACCESSORIES

Applicable to Polyvision Slide, Eco, Aero and Curved

1. Parts for Assembly

Installation hardware is not included in the window system. Must be ordered separately.

Mounting clamps

- Wall thickness 24 - 33 mm
- Wall thickness 33 - 36 mm
- Wall thickness 38 - 45 mm

Screws

- One size (material dependent)

2. Possible Accessories

Interior finish rubber cover

Used as interior finish to cover gaps and hide the misalignment of the window inside of the RV

- White: small wall thickness (24 - 37 mm)
- Black: large wall thickness (38 - 44 mm)

Interior blind and flyscreen

Depending on the choice of blind, an additional rubber cover may be needed to cover gaps and hide the misalignment of the blind





[Space on Demand](#)

[Bike Carriers](#)

[Windows & Roof Vents](#)

[Doors & Service Doors](#)

[Steps](#)

[Blinds & Flyscreens](#)

[Beds, Accessories & Ladders](#)

[TV Brackets](#)

[Table Legs](#)

[Water Tanks](#)

[Accessories](#)

WINDOWS & ROOF VENTS

POLYLUX

Aluminum framed window system

- Electrically operated, sliding roof window (12V, 20A, 240W)
- Designed for the rooftop of an RV
- Special aerodynamic design ideal for flat roofs
- Double pane, cast acrylic window with a thermoformed or unformed inner sheet and thermoformed outer sheet
- Strong and lightweight powder-coated aluminum frame
- Easy-to-use electrical operation with the touch of a button
- Low noise level while driving with an open window
- Operation temperature of -20 to +50 degrees Celsius
- Integrated blind system with blind and flyscreen
- Easy to mount for quick installation



Low noise level while driving with an open window



Integrated blind system with blind and flyscreen

Wall Aperture Width	Wall Aperture Height	Roof Aperture Radius	Roof Thickness	Weight
960 mm	655 mm	R65	69 mm to 79 mm	19,5 kg

VISTA

Polymer framed window system

- Panoramic roof window, available as a fixed or openable version
- Special aerodynamic design positioned above the front window of an RV
- Intended use for an H2 vehicle with an X290 platform (Fiat Ducato, Peugeot Boxer, Citroën Jumper)
- Double pane, cast acrylic window with a thermoformed inner and outer sheet
- Strong and lightweight, black polyurethane frame
- Light grey acrylic color with a black screen print
- Window system comes standard with integrated screwed catches with lock button
- Integrated blind system with blind and flyscreen
- Tubular stays allow for opening in every position
- Complete pre-mounted assembly of adapter and window for quick installation



Pre-mounted assembly for quick installation



Integrated blind system with blind and flyscreen

Wall Aperture Width	Wall Aperture Height	Wall Aperture Radius	Roof Thickness	Weight
1.270 mm	660 mm	R60	80 mm	15,0 kg

HOSEW & HOSEW-BAR

Roof vents

- Multi-position opening allows custom control of airflow
- Integrated, easy-to-use handles
- White Ral 9010 structure with smoked methacrylate cover
- Available with or without aluminum bars
- Manufactured by Lippert



2021103826 - front

2021103826 - back



Easy-to-use handle



Moving handle helping opening



Parallel opening



Side opening

Part #	Style	Color / Description	Wall Aperture Width	Wall Aperture Height
2021103826	HOSEW-BAR	Smoked methacrylate with white aluminum bars	550 mm	350 mm
2021103905	HOSEW	Smoked methacrylate without bars	550 mm	350 mm

WINDOWS & ROOF VENTS



- [Space on Demand](#)
- [Bike Carriers](#)
- [Windows & Roof Vents](#)
- [Doors & Service Doors](#)
- [Steps](#)
- [Blinds & Flyscreens](#)
- [Beds, Accessories & Ladders](#)
- [TV Brackets](#)
- [Table Legs](#)
- [Water Tanks](#)
- [Accessories](#)



DOORS & SERVICE DOORS

DOORS & SERVICE DOORS

Lippert caravan and motorcaravan doors are durable, reliable and stylish to perfectly complement each vehicle model. We offer a range of standard sizes and configurable options, including various window sizes. We also offer compartment door options for worry-free cargo storage.

Whenever, wherever, we make your experience better.



[Space on Demand](#)

[Bike Carriers](#)

[Windows & Roof Vents](#)

[Doors & Service Doors](#)

[Steps](#)

[Blinds & Flyscreens](#)

[Beds, Accessories & Ladders](#)

[TV Brackets](#)

[Table Legs](#)

[Water Tanks](#)

[Accessories](#)

EASY POCKET

One-point lock entry door

- Manual or electric, one-point locking system constructed from steel for reliable strength
- Integrated window with blind to regulate light and temperature inside vehicle
- Thermoformed, insulated construction for a secure, tight fit
- Equipped with right-hand aluminum hinges

Contact us for requests. Available options:

- Manual or electric locks
- Standard or low-profile hinges
- With or without window
- With or without gas spring
- Exterior panel material options

DOORS & SERVICE DOORS



Color	Number of Hinges	Cutout Dimension Ranges		
		W	H	Corner Radius
White / Grey	2	550 mm to 570 mm	1.900 mm to 1.920 mm	80 or 89 mm

EASY STORAGE

One-point lock entry door

- Manual or electric, one-point locking system constructed from steel for reliable strength
- Integrated window with blind to regulate light and temperature inside vehicle
- Includes built-in dustbin compartment
- Thermoformed, insulated construction for a secure, tight fit
- Equipped with right-hand aluminum hinges

Contact us for requests. Available options:

- Manual or electric locks
- Standard or low-profile hinges
- With or without window
- With or without gas spring
- Exterior panel material options

DOORS & SERVICE DOORS



Number of Hinges	Cutout Dimension Ranges		
	W	H	Corner Radius
2	545 mm to 557 mm	1.885 mm to 1.931 mm	80 or 89 mm

EASY POCKET 2.0

One-point lock entry door

- Electric (standard) or manual (optional), one-point locking system constructed from steel for reliable strength
- Integrated window with blind to regulate light and temperature inside vehicle
- Thermoformed, insulated construction for a secure, tight fit
- Equipped with right-hand aluminum hinges

Contact us for requests. Available options:

- ABS or polystyrene interior construction
- Manual or electric locks
- Standard, low-profile or semi-hidden hinges
- With or without window
- Double-glazing or single-sheet window
- Exterior panel material options



Number of Hinges	Cutout Dimension Ranges		
	W	H	Corner Radius
3	700 mm to 750 mm	1.740 to 1.750 mm	82,5 mm

EASY STORAGE XL

One-point lock entry door

- Manual or electric, one-point locking system constructed from steel for reliable strength
- Integrated window with blind to regulate light and temperature inside vehicle
- Includes built-in dustbin compartment
- Thermoformed, insulated construction for a secure, tight fit
- Equipped with right-hand aluminum hinges

Contact us for requests. Available options:

- Manual or electric locks
- Standard or low-profile hinges
- With or without window
- With or without gas spring
- Exterior panel material options



Number of Hinges	Cutout Dimension Ranges		
	W	H	Corner Radius
2	640 mm to 680 mm	1.900 mm to 1.950 mm	80 or 89 mm



[Space on Demand](#)

[Bike Carriers](#)

[Windows & Roof Vents](#)

[Doors & Service Doors](#)

[Steps](#)

[Blinds & Flyscreens](#)

[Beds, Accessories & Ladders](#)

[TV Brackets](#)

[Table Legs](#)

[Water Tanks](#)

[Accessories](#)

TRENDY SMALL

Two-point lock entry door

- Manual or electric, two-point locking system constructed from steel for reliable strength
- Window with blind to regulate light and temperature inside vehicle
- Includes built-in dustbin compartment
- Thermoformed, insulated construction for a secure, tight fit
- Equipped with right-hand aluminum hinges
- Premium brushed aluminum handle
- Features 'door open' signal switch for enhanced safety

Contact us for requests. Available options:

- Manual or electric locks
- Standard or low-profile hinges
- With or without gas spring
- Exterior panel material options

Number of Hinges	Cutout Dimension Ranges		
	W	H	Corner Radius
2	550 mm to 588 mm	1.740 mm to 1.945 mm	80 or 89 mm



DOORS & SERVICE DOORS

TRENDY RIGHT

Two-point lock entry door

- Manual or electric, two-point, steel locking system for safe, convenient access
- Integrated window with blind to regulate light and temperature inside vehicle
- Includes built-in dustbin compartment
- Thermoformed, insulated construction for a secure, tight fit
- Equipped with right-hand aluminum hinges
- Features 'door open' signal switch for enhanced safety

Contact us for requests. Available options:

- Manual or electric locks
- Standard or low-profile hinges
- With or without gas spring
- Exterior panel material options

Color	Number of Hinges	Cutout Dimension		
		W	H	Corner Radius
White / Grey	2	550 mm to 657 mm	1.905 mm to 1.960 mm	80 or 89 mm



TRENDY LEFT

Two-point lock entry door

- Manual or electric, two-point locking system constructed from steel for reliable strength
- Window with blind to regulate light and temperature inside vehicle
- Includes built-in dustbin compartment
- Thermoformed, insulated construction for a secure, tight fit
- Equipped with left-hand aluminum hinges
- Features 'door open' signal switch for enhanced safety

Contact us for requests. Available options:

- Manual or electric locks
- Standard or low-profile hinges
- With or without gas spring
- Exterior panel material options

Number of Hinges	Cutout Dimension Ranges		
	W	H	Corner Radius
2	550 mm to 660 mm	1.905 mm to 1.950 mm	80 or 89 mm



DOORS & SERVICE DOORS

TRENDY WAVE

Two-point lock entry door

- Manual or electric, two-point locking system constructed from steel for reliable strength
- Optional window with blind to regulate light and temperature inside vehicle
- Includes built-in storage pockets
- Thermoformed, insulated construction for a secure, tight fit
- Equipped with right-hand aluminum hinges
- Features 'door open' signal switch for enhanced safety
- Unique locking system allows for faster, easier replacement, if needed

Contact us for requests. Available options:

- Manual or electric locks
- Standard or low-profile hinges
- With or without gas spring
- Exterior panel material options

Number of Hinges	Cutout Dimension Ranges		
	W	H	Corner Radius
2	635 mm to 710 mm	1.895 mm to 1.970 mm	80 or 89 mm





[Space on Demand](#)

[Bike Carriers](#)

[Windows & Roof Vents](#)

[Doors & Service Doors](#)

[Steps](#)

[Blinds & Flyscreens](#)

[Beds, Accessories & Ladders](#)

[TV Brackets](#)

[Table Legs](#)

[Water Tanks](#)

[Accessories](#)

CHIC E-WINDOW

Two-point lock entry door

- Electric (standard) or manual (optional), two-point, steel locking system for safe, convenient access
- Electric window provides easy operation with the press of a button
- Integrated screen and blind to regulate light and temperature inside RV
- Comfort handle for ergonomic operation
- Features 'door open' signal switch for enhanced safety
- Includes built-in storage compartment
- Thermoformed, insulated construction for a secure, tight fit
- Equipped with right-hand, nickel-plated brass hinges
- Hidden hinges for a clean look on the outside of the RV

Contact us for requests. Available options:

- With or without gas spring
- Keyless entry
- Exterior panel material options

Number of Hinges	Cutout Dimension Ranges		
	W	H	Corner Radius
4	620 mm to 650 mm	1.920 mm to 1.950 mm	90 mm



DOORS & SERVICE DOORS

CHIC EVO

Two-point lock entry door

- Manual or electric, two-point locking system constructed from steel for reliable strength
- Unique locking system allows for faster, easier replacement, if needed
- Window with blind to regulate light and temperature inside vehicle
- Features 'door open' signal switch for enhanced safety
- Comfort handle for ergonomic operation
- Includes built-in dustbin compartment
- Thermoformed, insulated construction for a secure, tight fit
- Equipped with right-hand aluminum hinges

Contact us for requests. Available options:

- Manual or electric locks
- With or without gas spring
- Standard or low-profile hinges
- Exterior panel material options

Number of Hinges	Cutout Dimension Ranges		
	W	H	Corner Radius
2	670 mm to 830 mm	1.920 mm to 2.050 mm	80 or 89 mm



ATLANTIC

Two-point lock driver door

- Electric (standard) or manual (optional), two-point locking system
- Central, automotive-style locking system for safe, convenient access
- Large, trapezoid-shaped window to add maximum light and visibility to the vehicle interior
- Integrated blind to regulate light and temperature inside vehicle
- Custom-designed flyscreen keeps out mosquitoes, flies and other unwanted pests
- Freshly designed internal and external handles
- Includes large, built-in storage compartment
- Disappearing hinges for a clean look on the outside of the vehicle
- FMVSS-certified

Number of Hinges	Cutout Dimension Ranges		
	W	H	Corner Radius
7	849 mm	2.223 mm	90 mm



DOORS & SERVICE DOORS

OPEN LUX

Two-point lock driver door

- Electric, two-point, steel locking system for safe, convenient access
- Electric window provides easy operation with the press of a button
- Integrated window to add more light to the vehicle interior
- Courtesy LED light illuminates the ground for safer entry and exit
- Joystick mirror for easy adjustment of view (mirror not included)
- Includes built-in storage compartment
- Thermoformed, insulated construction for a secure, tight fit
- Automotive-style brackets assist opening and hold at various positions
- Disappearing hinges for a clean look on the outside of the vehicle

Contact us for requests. Available options:

- Manual or electric locks
- With or without gas spring
- Standard or low-profile hinges
- Keyless entry
- With or without window
- Exterior panel material options

Number of Hinges	Cutout Dimension Ranges		
	W	H	Corner Radius
3	719 mm	1.613 mm	82,5 mm





[Space on Demand](#)

[Bike Carriers](#)

[Windows & Roof Vents](#)

[Doors & Service Doors](#)

[Steps](#)

[Blinds & Flyscreens](#)

[Beds, Accessories & Ladders](#)

[TV Brackets](#)

[Table Legs](#)

[Water Tanks](#)

[Accessories](#)

OPEN DRIVE

Two-point lock driver door

- Electric (standard) or manual (optional)
- Electric window provides easy operation with the press of a button
- Integrated window to add more light to the vehicle interior
- Courtesy LED light illuminates the ground for safer entry and exit
- Joystick mirror for easy adjustment of view (mirror not included)
- Includes built-in storage compartment
- Thermoformed, insulated construction for a secure, tight fit
- Automotive-style brackets assist opening and hold at various positions
- Disappearing hinges for a clean look on the outside of the vehicle

Contact us for requests. Available options:

- Manual or electric locks
- Standard or low-profile hinges
- With or without window
- With or without gas spring
- Exterior panel material options



DOORS & SERVICE DOORS

SERVICE DOOR FRAMES

- Cutout radius 80 or 89
- Profile in extruded aluminum with sections for panel thickness from 22 to 42mm
- Internal and external side in fiberglass or on request
- Standard and low profile hinges available
- One-point or two-points locking system
- Different types of locking system available



DOORS & SERVICE DOORS

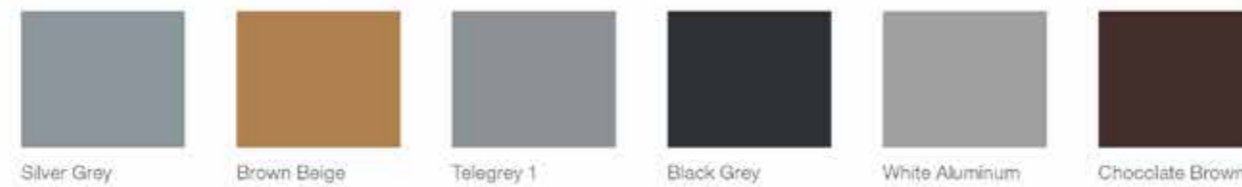
Cutout Dimension Ranges	
W	H
Door Frames Only	
280 mm to 2.000 mm	370 mm to 900 mm

DOORS COLOR CUSTOMIZATION

Structure thermoformed panel



Details thermoformed panel



SERVICE DOOR CUSTOMIZATION

Aluminum Profile

Internal options



External options



- Radius options**
- 80 mm or 89 mm

Profile color options* (internal and external)





- [Space on Demand](#)
- [Bike Carriers](#)
- [Windows & Roof Vents](#)
- [Doors & Service Doors](#)
- [Steps](#)
- [Blinds & Flyscreens](#)
- [Beds, Accessories & Ladders](#)
- [TV Brackets](#)
- [Table Legs](#)
- [Water Tanks](#)
- [Accessories](#)



STEPS

Our broad range of caravan and motorcaravan steps are available in steel, aluminum and hi-tech polymer with manual and power configuration options to suit every need. We offer single, double and triple entry steps for caravans and motorcaravans.

Whenever, wherever, we make your experience better.



STEPS



ALANERA

Electric slide-out step

The Alanera slide-out step is designed to meet the style of the modern motorcaravan with its sleek profile and high-quality finish, combined with improvements in both weight savings and ease of use.

- High-power 12-volt motor fully extends step in 2,5 seconds
- Automatic slide-out motion for a safe, comfortable, unobtrusive step
- High-tech injection-molded polymer for a durable yet lightweight construction
- Anti-slip finish for safe entry and exit
- Side wings help integrate the step with the vehicle and can support a person's weight
- Automotive-quality finish for lasting resilience to the elements
- Easy to clean – simply spray off with a hose
- Combined absorption limit with Elektra.PLUS control unit (#2021015901): 6,8-amps
- Installation wiring cables included with electric models
- Installation kits available for: Fiat Ducato / Citroen Jumper / Peugeot Boxer Ford Transit and Mercedes-Benz Sprinter

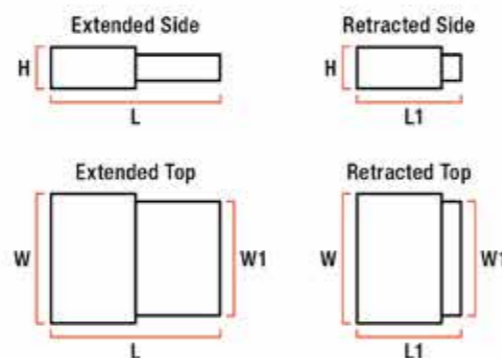
STEPS



Sleek, modern design to complement modern caravans and motorcaravans



Unique drain channels and anti-slip finish help keep the tread clean in any weather



Part #	Description	H	L	L1	W	W1				
2020351609	Step only	85 mm	691,1 mm	444,6 mm	561 mm	546,9 mm	5,894 kg	200 kg	2,5 amps	13 amps
2020351607	Installation kit for Ducato	85 mm	691,1 mm	444,6 mm	561 mm	546,9 mm	6,372 kg	200 kg	--	--
2020351595	Installation kit Ducato with wings	85 mm	691,1 mm	444,6 mm	561 mm	546,9 mm	6,901 kg	200 kg	--	--

INNOLIGHT

Electric and manual slide-out steps

- High-power 12-volt motor fully extends step in 2,5 seconds (electric version only)
- Patented guides and ball bearings ensure frictionless slide for smooth operation
- 80% plastic and 20% steel / aluminum construction to be lightweight and durable
- Sturdy, anodized aluminum footboard for lasting corrosion resistance
- Integrated motor sensor for 'open step' warning
- Weatherproof, tested for outdoors
- Integrated thermal breaker in case of excessive strain
- Includes patented, manual, quick-release emergency system
- Combined absorption limit with Elektra.PLUS control unit (#2021015901): 6,8-amps
- M-HANDLE (#2020343215) for manual step extension and retraction
- Installation wiring cables included with electric models
- Installation kits available for Fiat Ducato, Citroen Jumper, Peugeot Boxer, Ford Transit, Mercedes-Benz Sprinter and Volkswagen Crafter
- Front covers available to integrate the step with the vehicle

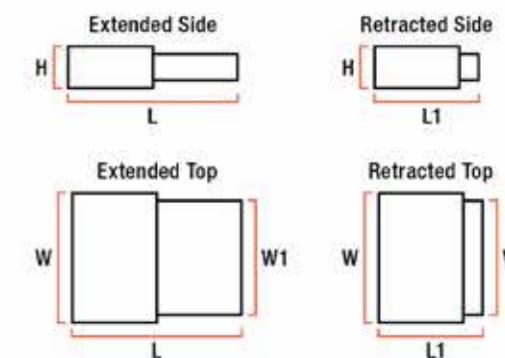
STEPS



Compact size remains unobtrusive on your RV



Anti-slip rubber for safe entry and exit



Part #	H	L	L1	W	W1				
Electric Models									
2020348259	78,5 mm	708,7 mm	472 mm	695 mm	440 mm	6,850 kg	200 kg	2,5 amps	17 amps
2020347536	78,5 mm	708,7 mm	472 mm	735 mm	550 mm	7,300 kg	200 kg	2,5 amps	17 amps
2020348014	78,5 mm	708,7 mm	472 mm	785 mm	700 mm	8,380 kg	200 kg	2,5 amps	17 amps
2020345585	78,5 mm	708,7 mm	472 mm	905 mm	1.000 mm	9,778 kg	200 kg	2,5 amps	17 amps
Manual Models									
2020349393	78,5 mm	708,7 mm	472 mm	695 mm	440 mm	6,200 kg	200 kg	--	--
2020348430	78,5 mm	708,7 mm	472 mm	735 mm	550 mm	6,900 kg	200 kg	--	--
2020348433	78,5 mm	708,7 mm	472 mm	785 mm	700 mm	7,800 kg	200 kg	--	--



R-SERIES

Electric and manual fold-out steps

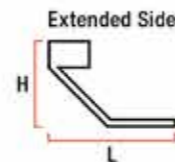
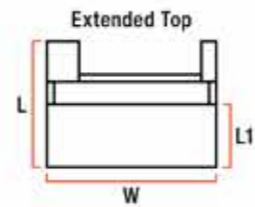
- Designed for RV application with standard chassis height
- High-power motor for fold-out movement in 1,5 seconds (electric version only)
- Ball bearings and brass bushings promote smooth, quiet operation
- Steel frame with lightweight aluminum board for stability in all conditions
- Galvanized and epoxy finishes for strong corrosion protection
- Anti-shock clutch protects motor and gearbox while step is in motion
- Sensor integrated in the motor cover for 'open step' warning
- Integrated thermal breaker in case of excessive strain
- Includes patented, manual, quick-release emergency system
- Installation wiring cables included with electric models



Tested for outdoor in extreme climate conditions



Anti-slip rubber for safe entry and exit



Part #	H	L	L1	W	Weight	Capacity	Motor	Current
Electric Models								
2020341863	229,28 mm	507,47 mm	200,00 mm	481,50 mm	5,300 kg	200 kg	2,5 amps	8 amps
2020341859	229,28 mm	507,47 mm	200,00 mm	522,50 mm	5,600 kg	200 kg	2,5 amps	8 amps
2020348832	229,28 mm	507,47 mm	200,00 mm	596,00 mm	5,900 kg	200 kg	2,5 amps	8 amps
2020341864	229,28 mm	507,47 mm	200,00 mm	717,00 mm	6,100 kg	200 kg	2,5 amps	8 amps
Manual Models								
2020346721	229,28 mm	507,47 mm	200,00 mm	350,00 mm	3,700 kg	200 kg	--	--
2020341860	229,28 mm	507,47 mm	200,00 mm	490,00 mm	4,000 kg	200 kg	--	--
2020341861	229,28 mm	507,47 mm	200,00 mm	532,00 mm	4,200 kg	200 kg	--	--

T-SERIES

Electric and manual fold-out steps

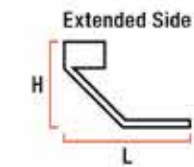
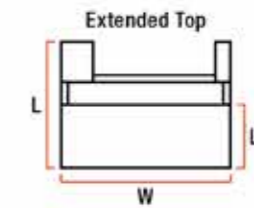
- Designed for caravan applications
- High-power motor for fold-out movement in 1,5 seconds (electric version only)
- Ball bearings and brass bushings promote smooth, quiet operation
- Anti-shock clutch protects motor and gearbox while step is in motion
- Steel frame with lightweight aluminum board for stability in all conditions
- Galvanized and epoxy finishes for strong corrosion protection
- Sensor integrated in the motor cover for 'open step' warning
- Integrated thermal breaker in case of excessive strain
- Includes patented, manual, quick-release emergency system
- Installation wiring cables included with electric models



Tested for outdoor in extreme climate conditions



Anti-slip rubber for safe entry and exit



Part #	H	L	L1	W	Weight	Capacity	Motor	Current
Electric Models								
2020341867	210,59 mm	486,12 mm	245,83 mm	495 mm	5,510 kg	200 kg	2,5 amps	8 amps
2020341866	210,59 mm	486,12 mm	245,83 mm	530 mm	5,840 kg	200 kg	2,5 amps	8 amps
2020347753	210,59 mm	486,12 mm	245,83 mm	609 mm	5,740 kg	200 kg	2,5 amps	8 amps
2020341865	210,59 mm	486,12 mm	245,83 mm	730 mm	6,190 kg	200 kg	2,5 amps	8 amps
Manual Models								
2020347374	210,59 mm	486,12 mm	245,83 mm	364 mm	3,640 kg	200 kg	--	--
2020341868	210,59 mm	486,12 mm	245,83 mm	495 mm	4,000 kg	200 kg	--	--
2020341869	210,59 mm	486,12 mm	245,83 mm	530 mm	4,100 kg	200 kg	--	--
2020341870	210,59 mm	486,12 mm	245,83 mm	730 mm	4,700 kg	200 kg	--	--



S-SERIES

Electric fold-out steps

- Designed for RV application with low-profile chassis
- High-power motor for fold-out movement in 1,5 seconds (manual version also available)
- Ball bearings and brass bushings promote smooth, quiet operation
- Anti-shock clutch protects motor and gearbox while step is in motion
- Steel frame with lightweight aluminum board for stability in all conditions
- Galvanized and epoxy finishes for strong corrosion protection
- Integrated motor sensor for 'open step' warning
- Integrated thermal breaker in case of excessive strain
- Includes patented, manual, quick-release emergency system
- Installation wiring cables included with electric models

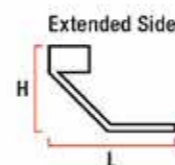
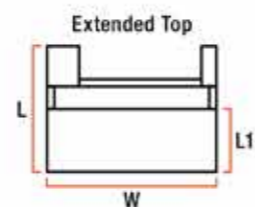
STEPS



Weatherproof IP33 protection level, tested for outdoors



Anti-slip rubber for safe entry and exit



Part #	H	L	L1	W	Weight	Capacity	2.5 amps	8 amps
2020343135	144 mm	564 mm	332 mm	442 mm	5,450 kg	200 kg	2,5 amps	8 amps
2020343479	144 mm	564 mm	332 mm	567 mm	5,960 kg	200 kg	2,5 amps	8 amps

L-SERIES

Electric and manual fold-out steps

- Opens and closes automatically (electric version only)
- Two-step configuration for easy, ergonomic access
- Anti-slip EPDM rubber for safe entry and exit
- Steel frame with lightweight aluminum board for stability in all conditions
- Galvanized and painted finishes for strong corrosion protection
- Left or right motor option to accommodate either side of the RV
- Tested for outdoor in extreme climate conditions.
- Sensor integrated in the motor cover for 'open step' warning
- Emergency manual release system

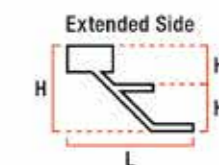
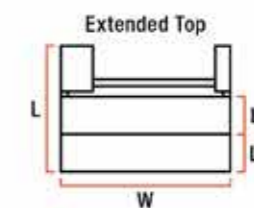
STEPS



Anti-slip rubber for safe entry and exit



Emergency manual release system



Part #	H	H1	H2	L	L1	L2	W	Weight	Capacity	2.5 amps	8 amps
Electric Models											
2020349011	362 mm	200 mm	162 mm	762 mm	210 mm	261 mm	610 mm	11,00 kg	200 kg	2,5 amps	8 amps
2020348802	362 mm	200 mm	162 mm	762 mm	210 mm	261 mm	660 mm	12,00 kg	200 kg	2,5 amps	8 amps
Manual Models											
2021018764	362 mm	162 mm	200 mm	762 mm	210 mm	261 mm	610 mm	9,00 kg	200 kg	2,5 amps	8 amps

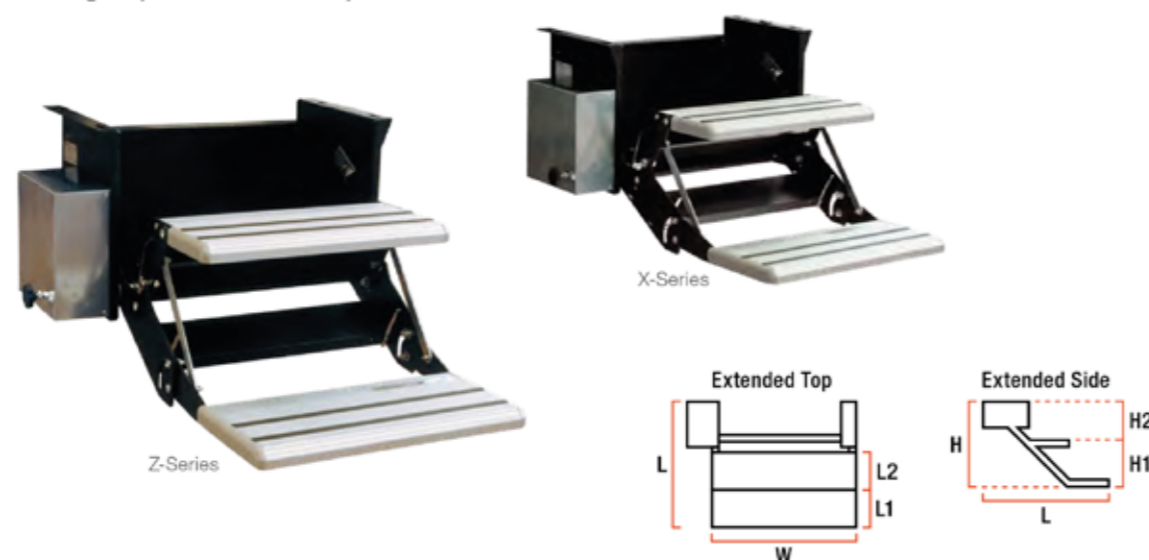


Z-SERIES & X-SERIES

Electric fold-out steps

- Opens and closes automatically
- Two-step configuration for easy, ergonomic access (Z-Series only)
- Two-step configuration for easy, ergonomic access
- X-series features increased step riser
- Gear motor folds out step on ball bearings for smooth, quiet operation
- Anti-slip EPDM rubber for safe entry and exit
- Steel frame with lightweight aluminum board for stability in all conditions
- Galvanized and painted finishes for strong corrosion protection
- Left or right motor option to accommodate either side of the RV
- Multifunction electronic control unit for total control of all step functions
- Automatically closes when engine starts
- Warning light for 'open step' sensor
- Motor protection system in case of excessive stress
- Emergency manual release system

STEPS



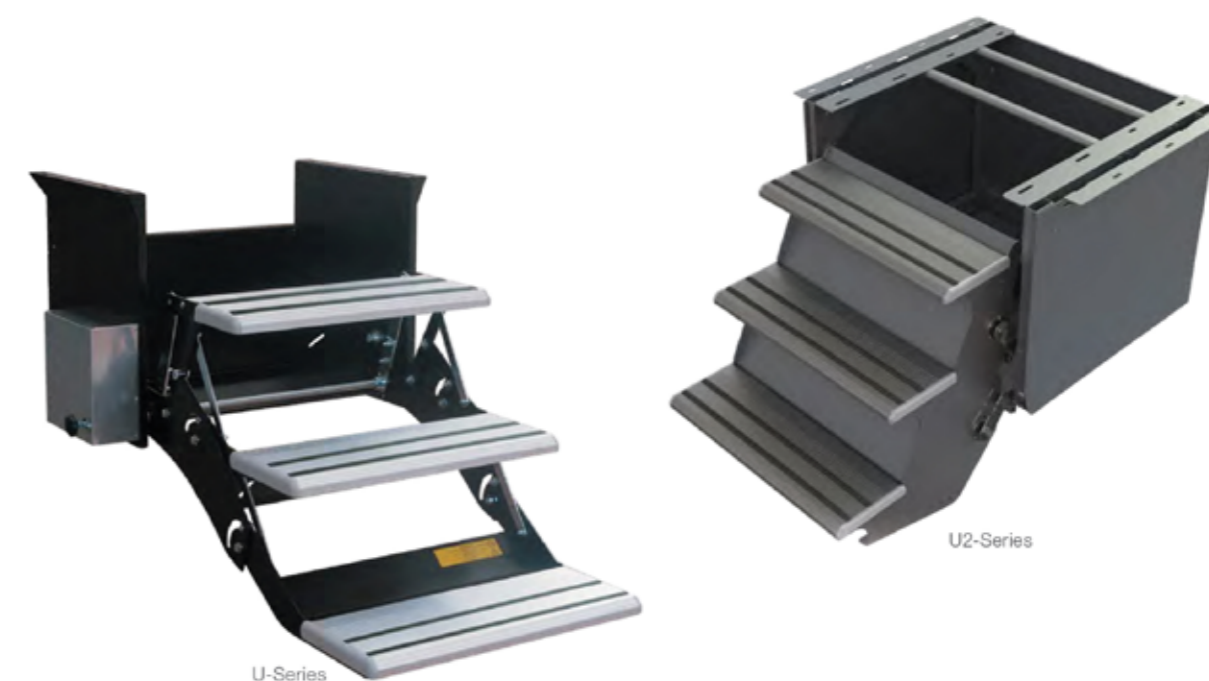
Part #	H	H1	H2	L	L1	L2	W				
Z-Series Electric Steps											
2020331170	390,10 mm	226,40 mm	164,07 mm	782 mm	200 mm	200 mm	492 mm	16,90 kg	200 kg	3 amps	8,5 amps
2020331171	390,10 mm	226,40 mm	164,07 mm	782 mm	200 mm	200 mm	492 mm	16,90 kg	200 kg	3 amps	8,5 amps
2020331172	395,10 mm	226,40 mm	164,07 mm	782 mm	200 mm	200 mm	550 mm	17,40 kg	200 kg	3 amps	8,5 amps
2020331173	395,10 mm	226,40 mm	164,07 mm	782 mm	200 mm	200 mm	550 mm	17,40 kg	200 kg	3 amps	8,5 amps
2020342041	380 mm	226,40 mm	164,07 mm	782 mm	200 mm	200 mm	645 mm	18,40 kg	200 kg	3 amps	8,5 amps
2020345609	380 mm	226,40 mm	164,07 mm	782 mm	200 mm	200 mm	645 mm	18,40 kg	200 kg	3 amps	8,5 amps
2020331177	446 mm	226,40 mm	164,07 mm	782 mm	200 mm	200 mm	492 mm	19,50 kg	200 kg	3 amps	8,5 amps
2020331176	446 mm	226,40 mm	164,07 mm	782 mm	200 mm	200 mm	492 mm	19,50 kg	200 kg	3 amps	8,5 amps
2020331179	423 mm	226,40 mm	164,07 mm	782 mm	200 mm	200 mm	550 mm	20,20 kg	200 kg	3 amps	8,5 amps
2020331178	423 mm	226,40 mm	164,07 mm	782 mm	200 mm	200 mm	550 mm	20,20 kg	200 kg	3 amps	8,5 amps
X-Series Electric Steps											
2020330793	374 mm	242,34 mm	132,08 mm	799 mm	200 mm	200 mm	454 mm	15,60 kg	200 kg	3 amps	8,5 amps
2020330794	374 mm	242,34 mm	132,08 mm	799 mm	200 mm	200 mm	454 mm	15,60 kg	200 kg	3 amps	8,5 amps
2020339685	400 mm	242,34 mm	132,08 mm	785 mm	200 mm	200 mm	664 mm	19,30 kg	200 kg	3 amps	8,5 amps
2020339432	400 mm	242,34 mm	132,08 mm	785 mm	200 mm	200 mm	664 mm	19,30 kg	200 kg	3 amps	8,5 amps

U-SERIES & U2-SERIES

Electric fold-out steps

- Three-step configuration for easy, ergonomic access
- Gear motor folds out step on ball bearings for smooth, quiet operation (U-series only)
- Anti-slip EPDM rubber for safe entry and exit
- Steel frame with lightweight aluminum board for stability in all conditions
- Galvanized and painted finishes for strong corrosion protection
- Left or right motor option to accommodate either side of the RV (U-series only)
- Multifunction electronic control unit for total control of all step functions
- Emergency manual release system

STEPS



Part #	H	H1	H2	H3	L	L1	L2	L3	W				
U-Series Electric Steps													
2020330788	675 mm	223 mm	222 mm	182 mm	1.154 mm	232 mm	200 mm	289 mm	550 mm	29,00 kg	200 kg	5 amps	9 amps
2020330789	675 mm	223 mm	222 mm	182 mm	1.154 mm	232 mm	200 mm	289 mm	550 mm	29,00 kg	200 kg	5 amps	9 amps
2020345610	675 mm	223 mm	222 mm	182 mm	1.154 mm	232 mm	200 mm	289 mm	645 mm	33,00 kg	200 kg	5 amps	9 amps
2020345611	675 mm	223 mm	222 mm	182 mm	1.154 mm	232 mm	200 mm	289 mm	645 mm	33,00 kg	200 kg	5 amps	9 amps
U2-Series Electric Step													
2020347817	653,5 mm	240 mm	240 mm	140 mm	1.245 mm	200 mm	200 mm	200 mm	640 mm	72,87 kg	200 kg	5 amps	9 amps



STEP ACCESSORIES



2020335144

LIGHTING STEP

- Compatible with steps with aluminum footboard
- Includes blue LED strip, anti-slip see-through rubber strip and timer
- Note: This is optional for steps manufactured from February 2010 to present. For all steps manufactured before this term, it is necessary to replace the entire footboard



2020331017

E-KIT

- Simplifies installation with plug-and-play system
- Intended for connecting existing wiring to the electronic control box
- Includes: 3 m or 6 m long cable, start switch, LED warning light, 15-amp fuse holder and connection scheme
- Compatible with all Lippert electric steps



2020330854

CLOSY

- Enables automatic storing for electric steps when starting vehicle's engine
- Prevents steps from opening while driving
- Compatible with all Lippert electric steps



2021013392



2021013392

ELEKTRA.PLUS control units

- Makes system completely automatic with opening or closing of the door
- Reduced size and integrated light timer
- See table for step compatibility



2020331019



2020339978

SWITCH and SWITCH COVER

- Rocker switch to open or close electric fold-out steps
- Compatible with all Lippert electric steps
- Cover provides a clean finished look on the #2021104055 switch (cover sold separately)



2020330880



2020330877

ELEKTRA control units

- Makes system completely automatic with opening or closing of the door
- Compatible with all Lippert electric steps

Part #	Description	Compatibility
2020331019	SWITCH	All Lippert electric steps
2020339978	SWITCH COVER	Open / close switch #479497
2020330854	CLOSY	All Lippert electric steps
2020330880	ELEKTRA control unit (includes ECU and RELE #2020330877)	All Lippert electric steps
2021013392	ELEKTRA.PLUS control unit	Alanera and Innolight steps
2021013393	ELEKTRA.PLUS control unit	Lippert R-, S-, T- and L-series steps
2020331017	E-KIT	For Elektra control unit
2020335144	LIGHTING STEP	Steps with aluminum footboard

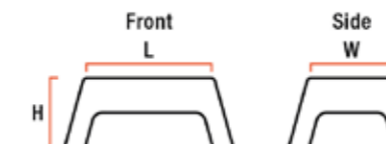
SPOT

Heavy-duty step stools

- Commonly used in caravans
- Tough plastic construction
- Grated top surface keeps step clear of debris
- Available in three sizes to fit your needs



2021115146

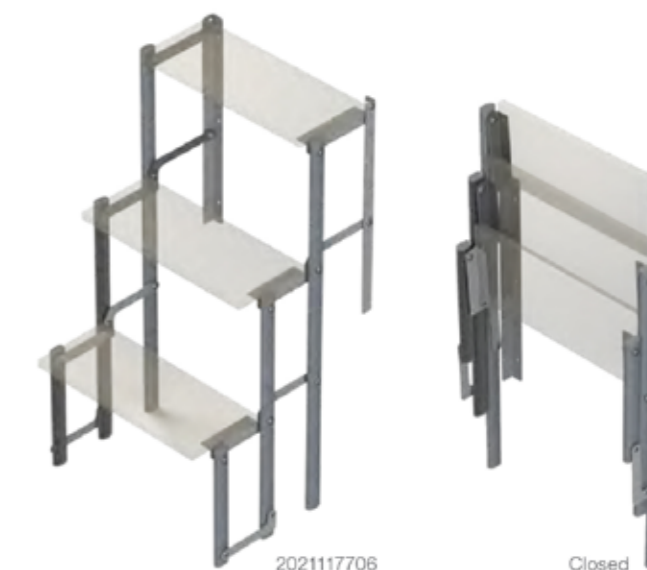


Part #	W	H	L	Weight	Capacity
2021115146	350 mm	250 mm	470 mm	2,6 kg	150 kg
2021115162	260 mm	220 mm	410 mm	1,0 kg	150 kg
2021115129	280 mm	230 mm	460 mm	1,4 kg	150 kg

VIRGOLA

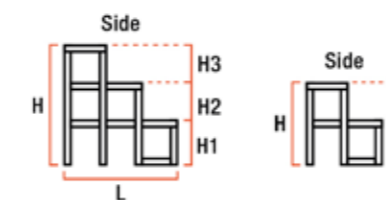
Foldable steps

- Available in three configurations: two-step, three-step narrow or three-step wide configuration
- Extra-wide, step-like rungs for maximum comfort
- Lightweight, aluminum legs and durable steel construction
- Steel steps for enhanced strength
- Foldable, hinging design allows for compact storage
- Makes it easy to get in and out of bunk beds
- Stepping surfaces are not included



2021117706

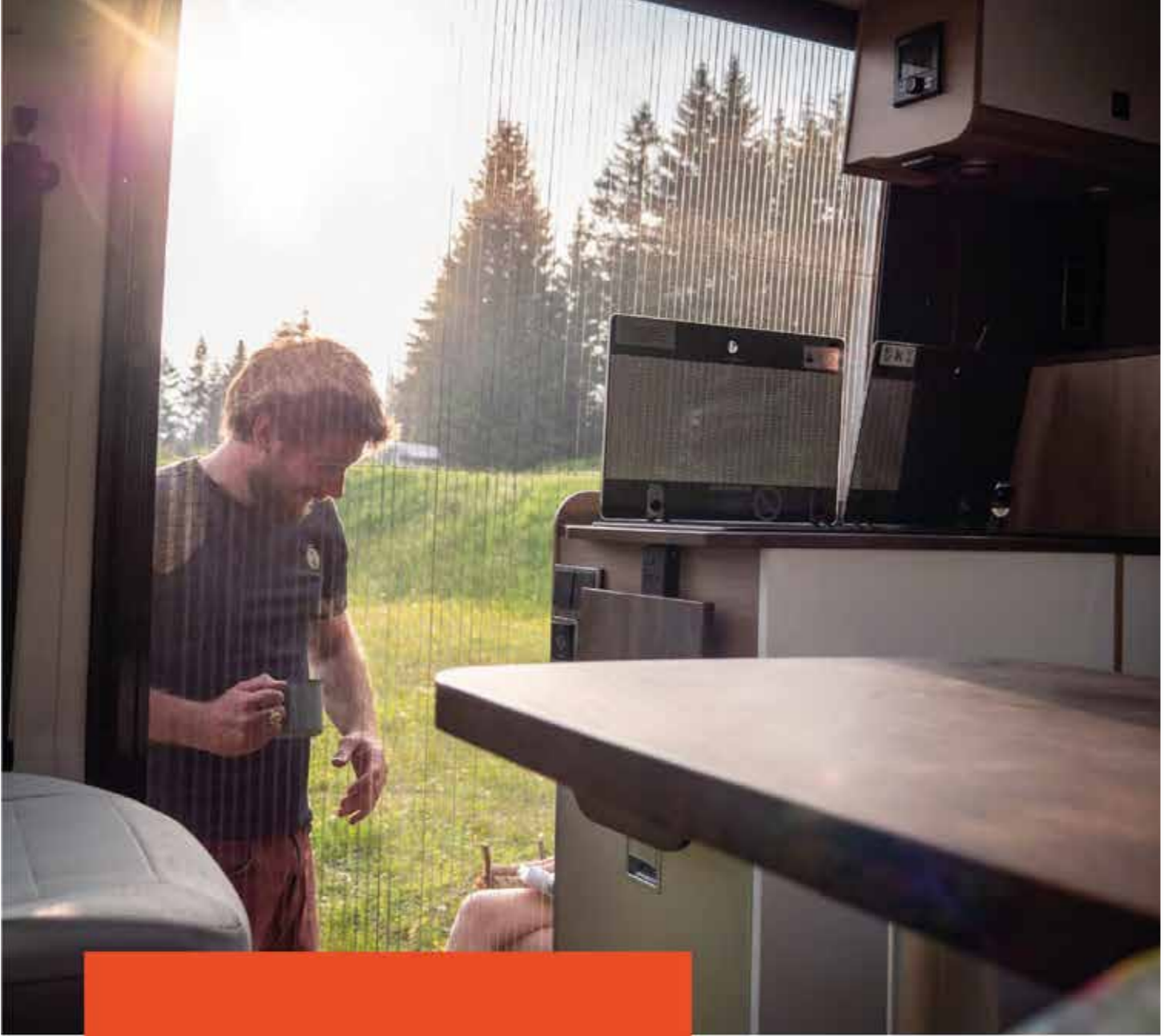
Closed



Part #	Steps	H	H1	H2	L	L1	L2	W	Weight	Capacity
2021103489	2	500 mm	709,7 mm	228 mm	256 mm	--	464,5 mm	104 mm	4,68 kg	100 kg
2021117706	3	899 mm	892 mm	284 mm	307 mm	308 mm	453,5 mm	138,2 mm	6,04 kg	100 kg
2021115884	3-large	903 mm	892 mm	281 mm	305 mm	317 mm	572,5 mm	145,6 mm	6,32 kg	100 kg



- [Space on Demand](#)
- [Bike Carriers](#)
- [Windows & Roof Vents](#)
- [Doors & Service Doors](#)
- [Steps](#)
- [Blinds & Flyscreens](#)
- [Beds, Accessories & Ladders](#)
- [TV Brackets](#)
- [Table Legs](#)
- [Water Tanks](#)
- [Accessories](#)



BLINDS & FLYSCREENS

Shut out the harsh sunlight and create a cool, peaceful ambiance inside with Lippert window blinds. We offer a complete selection of various sizes, styles and functional designs. Also check out our Vanscreen door screen for a bug-free interior.

Whenever, wherever, we make your experience better.



BLINDS & FLYSCREENS



- [Space on Demand](#)
- [Bike Carriers](#)
- [Windows & Roof Vents](#)
- [Doors & Service Doors](#)
- [Steps](#)
- [Blinds & Flyscreens](#)
- [Beds, Accessories & Ladders](#)
- [TV Brackets](#)
- [Table Legs](#)
- [Water Tanks](#)
- [Accessories](#)



SKIA

Windshield and side window blinds

- Retractable, pleated blind to keep vehicle interior blacked-out while parked
- Provides interior privacy as needed
- PVC and aluminum handle for manual horizontal sliding operation
- Windscreen blind available in three versions: with sensor box, rearview mirror or standard
- Side window blinds available in two versions: one (left / right) specific for Ducato V7 and one (left / right) specific for Ducato V8



Retractable, pleated blind to keep vehicle interior blacked-out while parked

Part #	Description	Fits
2021103816	SKIA FRONT - Front cabin blind standard version	For Fiat DUCATO X250, X290 and V8
2021103803	SKIA FRONT - Front cabin blind with mirror compartment	For DUCATO X290 / X250 and V8
2021103806	SKIA FRONT - Front cab blind with mirror compartment and sensor	For DUCATO X290 / X250
2021103733	SKIA FRONT - Front cab blind with specch and sensors	For Fiat DUCATO V8
2021103723	SKIA SIDE - Side cabin blind (right and left)	For Fiat DUCATO Van X290 / X250 (V7)
2021103745	SKIA SIDE - Side cabin lateral (right and left)	For Fiat DUCATO Van V8

VANSCREEN

Flyscreen for van doors

- Aluminum sliding flyscreen with low, walkable, L-shaped guide
- Keeps out insects and debris while allowing fresh airflow
- Clutched sliding system allows the screen to be opened to any position
- Vanscreen should be left open while van door is closed to avoid obstruction
- Works independently of sliding door



Keeps out insects and debris while allowing fresh airflow



Clutched sliding system allows the screen to be opened to any position

Part #	Fits Vans With Lateral Sliding Door	H	W
2021103812	Ducato van X290 Ducato van X250 Ducato van V8	1.295 mm	1.708 mm



- [Space on Demand](#)
- [Bike Carriers](#)
- [Windows & Roof Vents](#)
- [Doors & Service Doors](#)
- [Steps](#)
- [Blinds & Flyscreens](#)
- [Beds, Accessories & Ladders](#)
- [TV Brackets](#)
- [Table Legs](#)
- [Water Tanks](#)
- [Accessories](#)

DOORSCREEN

Flyscreen for motorcaravan doors

- PVC and aluminum sliding flyscreen with walkable, U-shaped guide
- Keeps out insects and debris while allowing fresh airflow
- Clutched sliding system allows the screen to be opened to any position



BLINDS & FLYSCREENS

SIRIO ALU

Curved blind and flyscreen

- Retractable blind to help regulate light filtration and protect privacy
- Manual sliding system with spring-assist for easier operation
- Clutched sliding mechanism allows opening to any position
- Mesh screen keeps out insects and debris while allowing fresh airflow
- Aluminum frame construction and polyester fabric blinds
- Integrated aluminum handle for easy operation
- Tough ABS locking clip for improved security
- Compatible with curved-wall vans in 4991 radius



SIRIO 2.0

Blind and flyscreen

- Retractable blind to help regulate light filtration and protect privacy
- Manual sliding system with spring-assist for easier operation
- Clutched sliding mechanism allows opening to any position
- Mesh screen keeps out insects and debris while allowing fresh airflow
- Constructed with durable PVC frame and polyester fabric blinds
- Integrated aluminum handle for easy operation
- Compatible with all vehicles with flat walls



BLINDS & FLYSCREENS



DOUBLE HANDLE

Windshield blind

- Retractable, honeycomb blind to keep vehicle interior blacked-out while parked
- Manual sliding system with spring-assist for easier operation
- Clutched sliding mechanism allows opening to any position
- Locking clip fixes the fabric in the final position
- Integrated aluminum and plastic handle for easy operation
- Strong, lightweight aluminum frame construction
- White outer fabric with cream-colored inner side
- Also protects interior privacy as needed

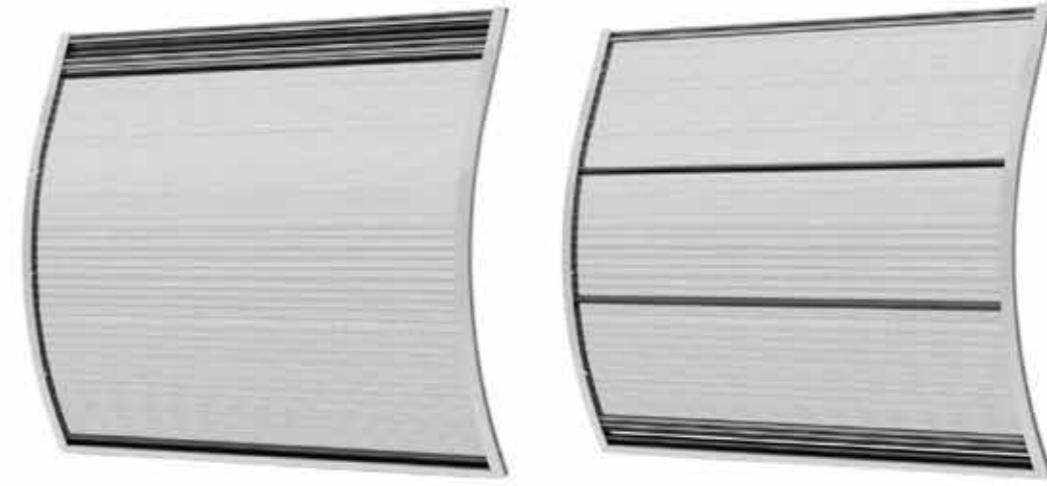


BLINDS & FLYSCREENS

BANDY CURVE

Flyscreen blind

- Retractable, pleated blind to regulate light infiltration and protect privacy
- Manual sliding system with spring-assist for easier operation
- Clutched sliding mechanism allows opening to any position
- Mesh screen keeps out insects and debris while allowing fresh airflow
- Integrated aluminum handle for easy operation
- Strong, lightweight aluminum frame construction
- White outer fabric with silver-colored inner side

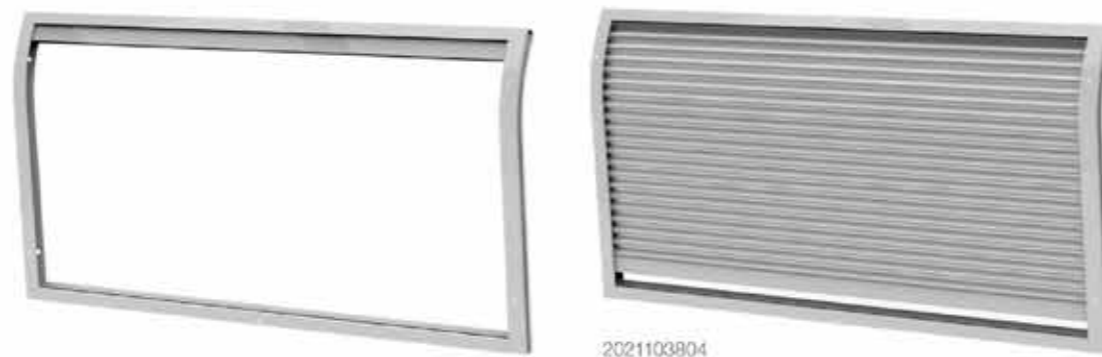


BLINDS & FLYSCREENS

BANDY-VAN

Skylight blind

- Retractable, pleated blind to help regulate light infiltration and protect privacy
- Manual sliding system with spring-assist for easier operation
- Clutched sliding mechanism allows opening to any position
- Mesh screen keeps out insects and debris while allowing fresh airflow
- Integrated aluminum handle for easy operation
- Strong, lightweight aluminum frame construction
- White outer fabric with silver-colored inner side



BANDY FLAT

Flyscreen blind

- Retractable, pleated blind to keep vehicle interior blacked-out while parked
- Manual sliding system with spring-assist for easier operation
- Clutched sliding mechanism allows opening to any position
- Integrated aluminum handle for easy operation
- Strong, lightweight aluminum frame construction
- White outer fabric with silver-colored inner side
- Also protects interior privacy as needed





- [Space on Demand](#)
- [Bike Carriers](#)
- [Windows & Roof Vents](#)
- [Doors & Service Doors](#)
- [Steps](#)
- [Blinds & FLYSCREENS](#)
- [Beds, Accessories & Ladders](#)
- [TV Brackets](#)
- [Table Legs](#)
- [Water Tanks](#)
- [Accessories](#)



BEDS, ACCESSORIES & LADDERS

Lippert bed frames and lifts are engineered for comfort and adaptability, ensuring that your vehicle is truly a home away from home. We offer tilt and lift options, electric, convertible, extendable, foldable and much more. Browse our ladders and other accessories to maximize bed functionality.

Whenever, wherever, we make your experience better.



BEDS & LADDERS



SMART TILT TOP & TOP DINETTE

Electric bed lifting system

- Engineered to lift and / or lower in the rear garage, above the dinette or driver's seat
- Operated by a central unit with up to five programming levels (ProBed and TopLine) or by an electro-mechanical controller (E-Line)
- High-performing gear motor with optional integrated encoder
- Belts fasten on specific wall-mounted supports
- Device fits completely under the bed frame and offers maximum fitting flexibility
- Manual driving gear in case of emergency
- Delivered complete with mounting cables
- 60 kg maximum weight lifted capacity
- 400 kg maximum loading capacity (static)
- Electrical input: 9- to 19-amps
- Motion speed: approximately 60 mm / sec
- Weight approximately 8,6 kg (varies based on the requested configuration)
- The technical specifications may change depending on the configuration of the bed
- Unlimited stroke



BEDS & LADDERS

Smart tilt top (A class)



Bed Frame Details
(see page 82)
A, C

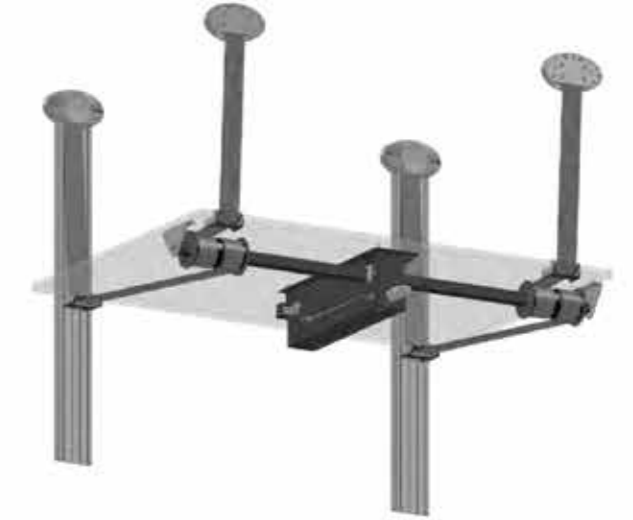
Top dinette (low profile)



EVO

Bed lifting system

- Allows lifting and lowering of the bed to fully optimize interior space
- Available with electric motor or manual crank option
- Remains stable at any height with no need for additional locking
- Belts fasten on specific wall-mounted supports
- Steel and aluminum construction to be strong and lightweight
- Includes mounting brackets and lifting mechanism (slats and bed frame sold separately)



Allows lifting and lowering of the bed to fully optimize interior space

Operation	Stroke	Lift Capacity	Static Load Capacity	Product*
Manual	400 mm	100 kg	400 kg	13 kg
Electric	400 mm	100 kg	400 kg	13 kg

* Variable according to the requested configuration

BEDS & LADDERS



[Space on Demand](#)

[Bike Carriers](#)

[Windows & Roof Vents](#)

[Doors & Service Doors](#)

[Steps](#)

[Blinds & Flyscreens](#)

[Beds, Accessories & Ladders](#)

[TV Brackets](#)

[Table Legs](#)

[Water Tanks](#)

[Accessories](#)

SMART-SLIM BED

Low-profile bed lifting system

- Allows lifting and lowering of the bed to fully optimize interior space
- Low-profile bed frame to maximize internal height and reduce weight
- Belts fasten on specific wall-mounted supports
- Aluminum frame with wood slats
- Includes bed frame and lifting system



Stroke	Lift Capacity	Static Load Capacity	Product
900 mm	60 kg	350 kg	27 kg

BEDS & LADDERS

TOSCANA

Bed lifting system

- Allows lifting and lowering of the bed to fully optimize interior space
- Motor is mounted under the frame to remain hidden and unobtrusive
- Anodized aluminum frame with wood slats to be strong and lightweight
- Can be installed in rear garage, over dinette or over driver's seat
- Unlimited stroke to better conform to the vehicle interior
- Available with two electronic control options: two-position stop or variable-position
- Belts fasten on specific wall-mounted supports
- Available with electric motor or manual crank option
- Customizable bed shape to suit each unique vehicle
- Manual driving gear in case of emergency
- Electrical input: 8 to 12-amps
- 12-volt DC
- Includes bed frame and lifting system



Static Load Capacity	Product
350 kg	24 kg

Bed Frame Details (see pages 82-83)

D, E, F

NAIROBI

Bed lifting system

- Allows lifting and lowering of the bed to fully optimize interior space
- Available with electric motor or manual crank option
- Variable-position backrest with safety lock
- Maximum tilt in backward position approximately 114°
- Book-like opening for easy access to the storage space below
- Device delivered mounted and preinstalled
- Constructed with an aluminum frame and guides, steel legs and wood slats
- Includes bed frame, handling kit, legs and guides

Electric version only

- Total absorption of the device: 9-amps
- Operating speed: 15mm / sec
- 12-volt DC
- Manual emergency system

Manual version only

- Three-position Project Easy Lift System for easy movement and positioning



Bed Frame Details (see page 82)

B

BEDS & LADDERS



Book-like opening for easy access to the storage space below



Variable-position backrest with safety lock

Lift Capacity	Static Load Capacity
80 kg	300 kg



[Space on Demand](#)

[Bike Carriers](#)

[Windows & Roof Vents](#)

[Doors & Service Doors](#)

[Steps](#)

[Blinds & Flyscreens](#)

[Beds, Accessories & Ladders](#)

[TV Brackets](#)

[Table Legs](#)

[Water Tanks](#)

[Accessories](#)

BERLINO

Bed lifting system

- Provides up and down lift for the two bunk beds with application in rear garage
- Unlimited stroke to better conform to the vehicle interior
- Powered by durable and sophisticated gear motor with integrated encoder
- Belts fastens on specific wall-mounted supports
- Single motor is mounted under lower frame to remain hidden and unobtrusive
- Manual driving gear with included hand crank in case of emergency
- The technical specifications may change depending on the configuration of the bed
- Constructed with an aluminum frame and guides, steel legs and wood slats
- Includes two bed frames, motorized kit, controller, harnesses and guides
- Operating speed: approximately 60 mm / sec
- Electrical input: 19-amps

Lift Capacity
60 kg

Static Load Capacity
400 kg



Bed Frame Details
(see page 82)

A

RIO

Bed lifting system with extending frame

- Automatic slat extension as the bed lowers and retraction as it raise
- Allows lifting and lowering of the bed to fully optimize interior space
- Extendable frame accommodates a larger mattress while ensuring compact storage
- Ability to program different bed frame extensions for various positions
- Electric motor with Top-Line handling for a quiet, lightweight system
- Constructed with an aluminum frame and guides, steel legs and wood slats
- Includes two bed frames, motorized kit, controller, harnesses and guides
- Includes manual emergency system
- Operating speed: approximately 100 mm / sec
- Absorption: 19 amps
- 12-volt DC

Lift Capacity
60 kg

Static Load Capacity
300 kg



Bed Frame Details
(see page 82)

A

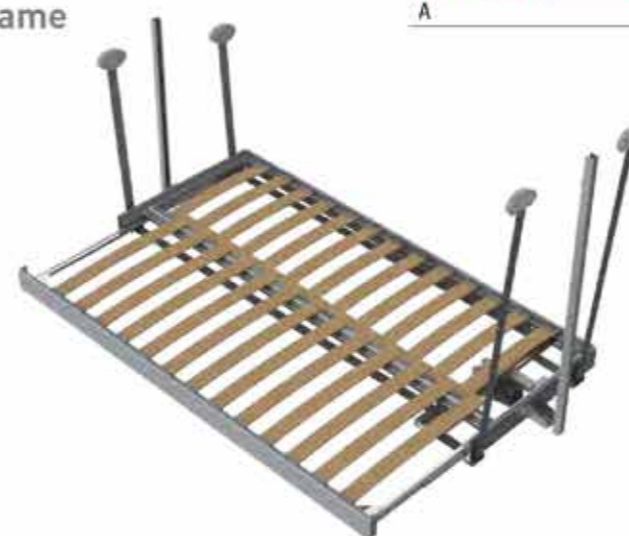
DENVER

Bed lifting system with extending frame

- Allows lifting and lowering of the bed to fully optimize interior space
- Extendable frame accommodates a larger mattress while ensuring compact storage (extended section must be supported)
- Locks horizontally or in slant position under the ceiling for convenient storage
- Electrically operated by E-Line for a lightweight, quiet system
- Extends up to 80% of the width of the fixed frame
- Constructed with an aluminum frame and guides, steel legs and wood slats
- Includes bed frame and mounting brackets
- Includes manual emergency system
- Operating speed: approximately 100 mm / sec
- Absorption: 16 amps
- 12-volt DC

Lift Capacity
60 kg

Static Load Capacity
300 kg



Bed Frame Details
(see page 82)

A

SEVILLA

Bed lifting system with folding frame

- Allows lifting and lowering of the bed to fully optimize interior space
- Possibility to have a powered knee mechanism
- Knee-like bend allows frame to adapt to vehicle ceiling for unobtrusive storage
- Electrically operated by E-Line for a quiet, lightweight system
- Adjustable movement for a fully customizable layout
- Equipped with stabilizers on extended sides for enhanced strength
- Constructed with an aluminum frame and guides, steel legs and wood slats
- Includes bed frames, slats and mounting brackets
- Includes manual emergency system
- Operating speed: approximately 100 mm / sec
- Absorption: 9 to 20 amps
- 12-volt DC

Lift Capacity
60 kg

Static Load Capacity
300 kg



Knee-like bend allows frame to adapt to vehicle ceiling for unobtrusive storage

Bed Frame Details
(see page 82)

A



[Space on Demand](#)

[Bike Carriers](#)

[Windows & Roof Vents](#)

[Doors & Service Doors](#)

[Steps](#)

[Blinds & Flyscreens](#)

[Beds, Accessories & Ladders](#)

[TV Brackets](#)

[Table Legs](#)

[Water Tanks](#)

[Accessories](#)

HOUSTON

Folding bed base

- Slim bed with aluminum slats and PVC panel
- Folding design allows for compact storage
- Anodized aluminum frame with PVC top panel to be strong and lightweight
- Good for semi-integrated campers and motorcaravans
- Includes bed frame and top panel



Static Load Capacity	Product
200 kg	20 kg

BEDS & LADDERS

SMARTY

Corner bed extension

- Corner extension with fold-out leg to accommodate a rectangular mattress
- Anodized aluminum frame to be strong and lightweight
- Wood slats for strength, comfort and a stylish accent
- Compatible with virtually all types of vehicles
- Includes bed frame and slats



Corner extension with fold-out leg to accommodate a rectangular mattress

Static Load Capacity
100 kg

STLA FLEX

Bed suspensions

- Suspends bed frame to improve sleep comfort
- Durable plastic construction with memory shape for maximum comfort
- Can be mounted on all beds with staves
- 36 pieces required for single bed and 72 for double bed



Suspends bed frame to improve comfort



Can be mounted on all beds with staves



Part #	Name	Description		↳ H	↳ L	↳ W
2021110987	StLa FLEX	Bed suspension	Plastic	40 mm	175 mm	175 mm
2021110990	StLa FLEX D3	Bed suspension with drills	Plastic	40 mm	175 mm	175 mm
2021116010	StLa FLEX base	Base with pins	Plastic	40 mm	46 mm	46 mm
2021115985	StLa FLEX base	Base with hole	Plastic	40 mm	46 mm	46 mm

VOLO

Safety nets

- Attaches to bedside to help protect sleeper from falling out at night
- Allowed for children over six years old
- Constructed with aluminum rails to be strong and lightweight
- Compatible with virtually all lifting beds



Double-coated PVC and 100% polyester mesh



Comes with all required installation hardware and straps



↳ Width	↳ Length		
580 mm	1.500 mm	Aluminum	Nylon / PVC
580 mm	1.800 mm	Aluminum	Nylon / PVC

BEDS & LADDERS



BED LIFTING SYSTEM ACCESSORIES



Lifter 1 and Lifter 2 panels can be embedded into the bed frame



2020346265 (without key)



2020336050 (with key)

LIFTER 1 & LIFTER 2

- Power unit switch panel
- Available with or without a key

Part #	Description
2020346265	LIFTER 1 - Module without key
2020336050	LIFTER 2 - Module with key
2020340645	ELEKTRA 1 - Module without key
2020340647	ELEKTRA 2 - Module with key
2021103510	BACKREST - Manual backrest
2021103478	BACKREST - Electric backrest
2020334107	BELTS 4 - grey
2020338514	BELTS 4 - grey
2020345534	BELTS - 4,2 - white cream



2020340645 (without key)



2020340647 (with key)

ELEKTRA SMART 1 & ELEKTRA SMART 2

The device is managed by an electronic central unit with five programming levels.

Part #	Description
2020350217	BELTS - 6 - grey
2020334765	BELTS - 7 - black
2020334839	LIFTY HANDLE
2020335126	CABLE TRACK - 1.000 mm (50 links) - black
2020344588	CABLE TRACK - 2.250 mm (105 links) - beige
2020334746	SAFETY STRAPS
2020347411	LIFTING CAPACITY
2020334767	STANDARD GUIDE - 990 mm
2020341978	C-SHAPE GUIDE - 1.600 mm



BACKREST

- Available in manual or electrical
- Completely autonomous and integrable with the bed frame



LIFTY HANDLE

- Allows manual movement of the bed



CABLE TRACK

- Comes in two lengths
- Available in black or beige



STANDARD GUIDE

- Standard guide for lifting beds



BELTS

- Help make lifting beds easier
- Available in black, grey and white cream



SAFETY STRAP

- Promotes safety while bed is lifted
- Fits all lifting beds



LIFTING CAPACITY

- Belt roller system to help belts move easier when raising or lowering the bed
- Without belt-return system 60 kg
- Option to add the return-belt system to lift up to 120 kg



C-SHAPE GUIDE

- Helps overcome furniture obstacles without modifying vehicle layout
- C-shape guides are the most adaptable guides
- Work in compression and decompression

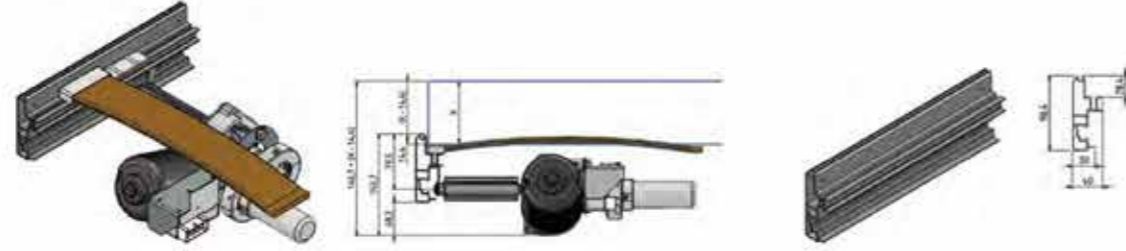
BEDS & LADDERS

BEDS & LADDERS

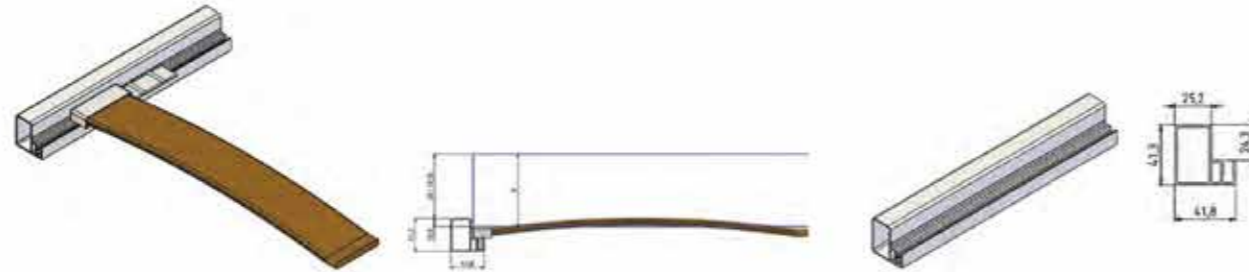


BED FRAME DETAILS

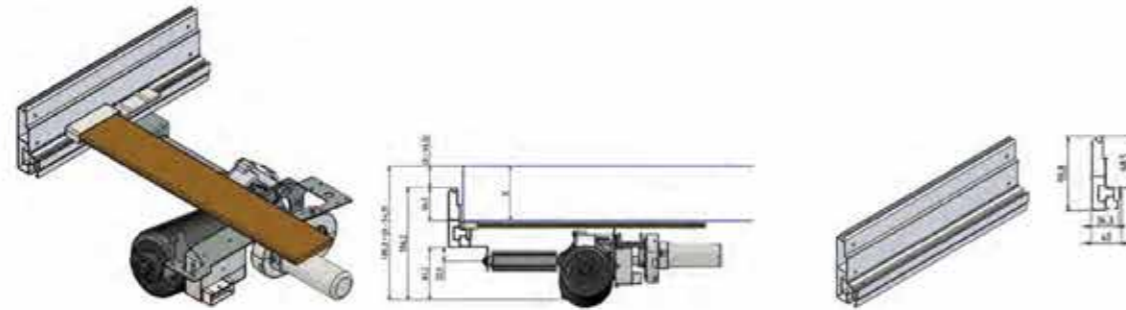
Detail A



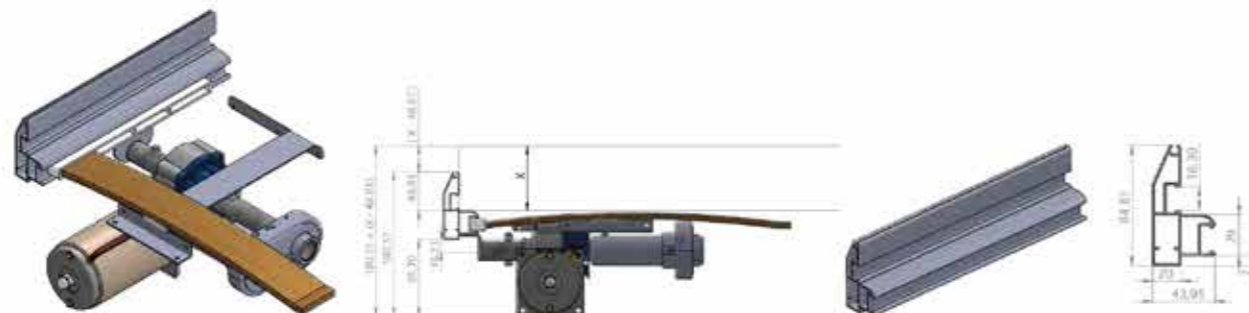
Detail B



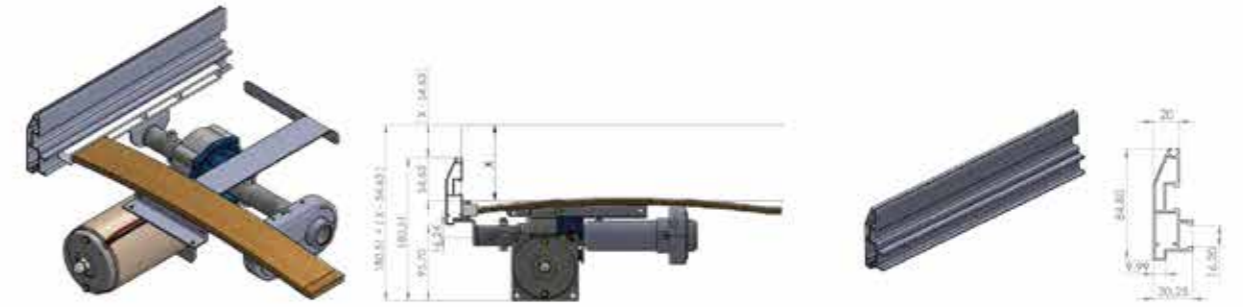
Detail C



Detail D



Detail E



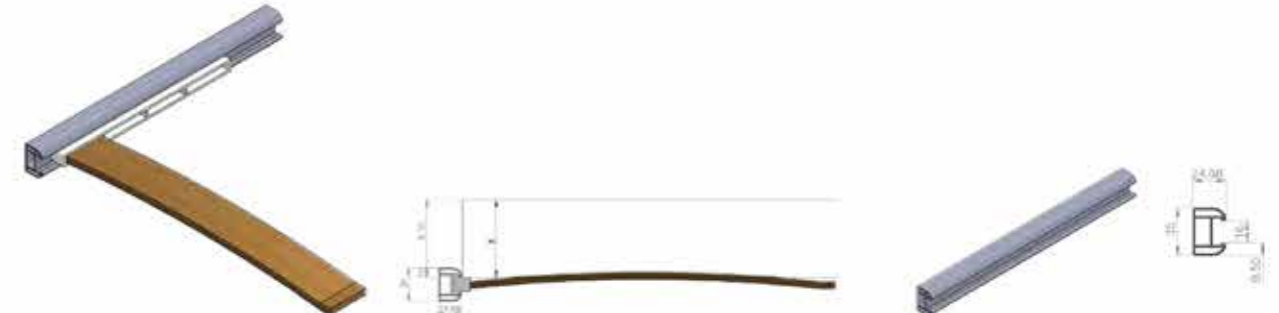
Detail F



Detail G - Comfort Slat Holder



Detail H - Standard Slat Holders



BEDS & LADDERS

BEDS & LADDERS

- Space on Demand
- Bike Carriers
- Windows & Roof Vents
- Doors & Service Doors
- Steps
- Blinds & Flyscreens
- Beds, Accessories & Ladders
- TV Brackets
- Table Legs
- Water Tanks
- Accessories



- [Space on Demand](#)
- [Bike Carriers](#)
- [Windows & Roof Vents](#)
- [Doors & Service Doors](#)
- [Steps](#)
- [Blinds & Flyscreens](#)
- [Beds, Accessories & Ladders](#)
- [TV Brackets](#)
- [Table Legs](#)
- [Water Tanks](#)
- [Accessories](#)

TITTA

Bunk ladder

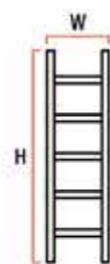
- Aluminum construction to be strong and lightweight
- Aluminum bunk ladder with hooks for roof
- Hooks provide a safe, robust connection to the bed frame.



Feet maximize friction to avoid slipping and ensure stability



Rounded rungs for comfortable grip and footing



Part #	W	H	Weight	Capacity
2021108915	1.300 mm	290 mm	1,60 kg	100 kg
2021109007	1.500 mm	290 mm	1,74 kg	100 kg
2021108907	1.700 mm	290 mm	2,00 kg	100 kg

BEDS & LADDERS

TITTA STRONG

Bunk ladder

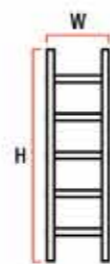
- Reinforced aluminum construction to be strong and lightweight
- Hooks provide a safe, robust connection to the bed frame
- Feet maximize friction to avoid slipping and ensure stability



Hooks provide a safe, robust connection to the bed frame



Rounded rungs for comfortable grip and footing



Part #	H	W	Weight	Capacity
2021103468	1.300 mm	290 mm	1,60 kg	150 kg
2021103460	1.500 mm	290 mm	1,80 kg	150 kg
2021103417	1.700 mm	290 mm	2,10 kg	150 kg
2021103457	1.900 mm	290 mm	2,40 kg	150 kg



TITTA LARGE-STEP

Bunk ladder

- Aluminum construction to be strong and lightweight
- Extra-wide, step-like rungs for maximum comfort
- Feet maximize friction to avoid slipping and ensure stability



Hooks provide a safe, robust connection to the bed frame



Rounded rungs for comfortable grip and footing



Part #	W	H	Weight	Capacity
2021103437	1.300 mm	290 mm	1,97 kg	100 kg
2021108930	1.500 mm	290 mm	2,37 kg	100 kg
2021117202	1.700 mm	290 mm	2,75 kg	100 kg



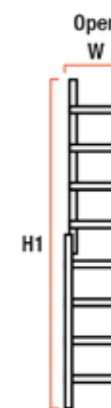
TITTA STRONG FOLDING

Bunk ladder

- Extendable, folding mechanism to accommodate any bed height
- Heavy-duty aluminum construction to be strong and lightweight
- Hooks provide a safe, robust connection to the bed frame
- Feet maximize friction to avoid slipping and ensure stability



Rounded rungs for comfortable grip and footing



Part #	H	H1	W	Weight	Capacity
2021103443	890 mm	1.500 mm	290 mm	2,40 kg	150 kg
2021103493	1.130 mm	1.900 mm	290 mm	3,00 kg	150 kg
2021103469	1.250 mm	2.100 mm	290 mm	3,40 kg	150 kg



BEDS & LADDERS



[Space on Demand](#)

[Bike Carriers](#)

[Windows & Roof Vents](#)

[Doors & Service Doors](#)

[Steps](#)

[Blinds & Flyscreens](#)

[Beds, Accessories & Ladders](#)

[TV Brackets](#)

[Table Legs](#)

[Water Tanks](#)

[Accessories](#)

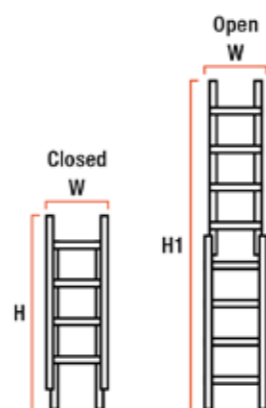
TITTA FOLDING 2

Bunk ladder

- Folding mechanism with heavy-duty hinges for compact storage
- Aluminum construction to be strong and lightweight
- Hooks provide a safe, robust connection to the bed frame
- Feet maximize friction to avoid slipping and ensure stability



Rounded rungs for comfortable grip and footing



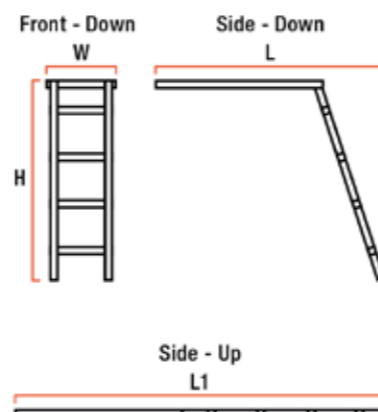
Part #	↕ H	↕ H1	↕ W	📦	📦
2021108963	870 mm	1.500 mm	290 mm	2,29 kg	100 kg
2021103422	990 mm	1.700 mm	290 mm	3 kg	100 kg

BEDS & LADDERS

SLIDE

Bunk ladder

- Extracting aluminum bunk ladder that folds securely under bed
- Available with standard round rungs or extra-wide, step-like rungs for maximum comfort
- Aluminum construction to be strong and lightweight
- Bolts onto underside of the bed for hidden storage
- Bottom feet maximize friction to avoid slipping and ensure stability

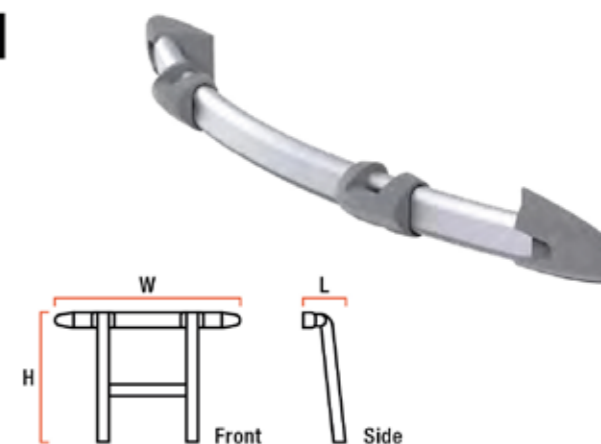


Part #	↕ H	↕ W	↕ L	↕ L1	📦	📦
2021103426	1.000 mm	290 mm	1.374 mm	2.171 mm	3,37 kg	100 kg
2021103442	1.000 mm	290 mm	1.374 mm	2.171 mm	3,37 kg	100 kg



LADDER CONNECTION

- Provides a handle with safety hooks for secure ladder attachment and easier climbing
- Recommended for bed frames that are not suitable for connecting ladder hooks
- Aluminum construction to be strong and lightweight
- Designed for use with Titta bunk ladders
- Installation hardware not included



Part #	↕ W	↕ L	📦
2021118612	700 mm	60 mm	0,30 kg

LADDER HOOKS

- Provides a safe, robust ladder connection to the bed frame
- Constructed from plastic to be tough and lightweight
- Two hooks included per package



Part #	Name	Description
2021108710	T-HOOK 1	Fits Titta, Titta Folding 2 and Titta Large-Step
2021107149	T-HOOK 2	Fits Titta Strong and Titta Strong Folding
2021108688	T-HOOK 3	Fits Titta, Titta Folding 2 and Titta Large-Step
2021108704	T-HOOK 4	Fits Titta, Titta Folding 2 and Titta Large-Step
2021109628	T-HOOK 5	Fits Titta, Titta Folding 2 and Titta Large-Step
2021108630	T-HOOK 6	Fits Titta, Titta Folding 2 and Titta Large-Step
2021107079	T-HOOK BASE	Hook supports

BEDS & LADDERS

LADDER FEET

- Maximizes friction to avoid slipping and ensure ladder stability
- Constructed from plastic to be tough, flexible and lightweight
- Two feet included per package



Part #	Name	Description
2021108599	T-FEET	Standard foot for Titta, Titta Folding 2 and Titta Large-Step
2021108598	T-FEET SOFT	Soft foot for Titta, Titta Folding 2 and Titta Large-Step
2021115648	T-FEET WAY	Adjustable foot for Titta, Titta Folding 2 and Titta Large-Step
2021107153	T-FEET HS	Left foot for Titta Strong
2021107103	T-FEET HR	Right foot for Titta Strong





- [Space on Demand](#)
- [Bike Carriers](#)
- [Windows & Roof Vents](#)
- [Doors & Service Doors](#)
- [Steps](#)
- [Blinds & Flyscreens](#)
- [Beds, Accessories & Ladders](#)
- [TV Brackets](#)
- [Table Legs](#)
- [Water Tanks](#)
- [Accessories](#)



TV BRACKETS

Lippert offers a wide selection of TV brackets and mounts to provide the perfect solution for each campervan and motorcaravan. Our TV mounts are available in a range of sizes, material options and configurations, including powered models, to ensure a custom fit for any interior.

Whenever, wherever, we make your experience better.



TV BRACKETS



[Space on Demand](#)

[Bike Carriers](#)

[Windows & Roof Vents](#)

[Doors & Service Doors](#)

[Steps](#)

[Blinds & Flyscreens](#)

[Beds, Accessories & Ladders](#)

[TV Brackets](#)

[Table Legs](#)

[Water Tanks](#)

[Accessories](#)

LOTUS

TV brackets

Lotus 1

- Three self-braking joints with 15° tilt for easy viewing and adjustment
- Ability to close in either direction to better adapt to RV layout
- Support arm can be locked in place while vehicle is in motion



Lotus 1

Lotus 2

- Three self-braking joints with adjustable tilt for easy viewing
- Support arm can be locked in place while vehicle is in motion



Lotus 2

Lotus 3

- Three-joint swivel arm with +5° / -12° tilt and locking knob for easy viewing
- Fully locks in closed position for safe travel



Lotus 3

Lotus 4

- Three-joint swivel arm with +5° / -12° tilt and locking knob for easy viewing
- 90° rotation for vertical TV storage
- Fully locks in closed position for safe travel



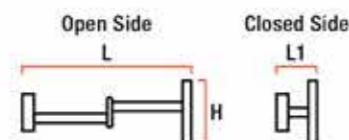
Lotus 4

Lotus 5

- Four-joint swivel arm for maximum adjustability and easy viewing
- Fully locks in closed position for safe travel



Lotus 5



Part #	Lotus	→L	↘L1	↗H	📏	📏	✂	📏	📏
2020341558	1	529 mm	472 mm	201 mm	1,2 kg	8 kg	75 x 75 mm / 100 x 100 mm	15°	--
2020333488	2	496 mm	472 mm	179 mm	1,3 kg	10 kg	75 x 75 mm / 100 x 100 mm	15°	180°
2020333525	2	644 mm	472 mm	179 mm	1,5 kg	10 kg	75 x 75 mm / 100 x 100 mm	15°	180°
2020348754	3	563 mm	68,1 mm	120 mm	1,1 kg	8 kg	75 x 75 mm / 100 x 100 mm	+5° to -12°	--
2020349101	3	563 mm	68,1 mm	120 mm	1,1 kg	8 kg	75 x 75 mm / 100 x 100 mm	+5° to -12°	--
2020349354	4	535 mm	84 mm	154,4 mm	1,6 kg	8 kg	75 x 75 mm / 100 x 100 mm	+5° to -12°	90°
2020349038	5	562,7 mm	93 mm	120 mm	1,3 kg	8 kg	75 x 75 mm / 100 x 100 mm	15°	180°

SNAPDRAGON

Wall-mount TV bracket

- 90° rotation for vertical TV storage
- Two-joint swivel arm for easy viewing
- Lockable rotation and in closed position for safe travel



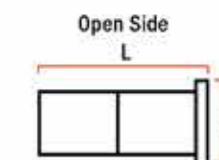
Two-joint swivel arm for easy viewing



Closed front



Open



Part #	→L	↘L	↗H	📏	📏	✂	📏
2020349133	190 mm	37 mm	228,85 mm	2,1 kg	10 kg	200 x 100 mm 200 x 200 mm	90°

TULIP

Wall-mount TV bracket

Tulip 1

- Pantograph mechanism maximizes extension while maintaining low profile
- Magnetic security blockage keeps bracket locked while closed
- Revolves for easier visibility anywhere in the RV



Tulip 1



Tulip 2

Tulip 2

- Bracket for individual fitting with Lavender compatibility



Tulip 2 shown with a mounted TV



Part #	Version	→L	↘L	↗H	📏	📏	✂
2020339800	1	364 mm	54 mm	158 mm	1,4 kg	8 kg	75 x 75 mm, 100 x 100 mm
2020330572	2	48 mm	47 mm	120 mm	0,82 kg	10 kg	75 x 75 mm, 100 x 100 mm



[Space on Demand](#)

[Bike Carriers](#)

[Windows & Roof Vents](#)

[Doors & Service Doors](#)

[Steps](#)

[Blinds & Flyscreens](#)

[Beds, Accessories & Ladders](#)

[TV Brackets](#)

[Table Legs](#)

[Water Tanks](#)

[Accessories](#)

BUTTERFLY

Removable TV bracket with electrical and TV plug

Butterfly 1

- Support can remain attached to TV or separated from the base for mobility
- Pantograph mechanism maximizes extension while maintaining low profile
- Support arm can be locked in place while vehicle is in motion
- Head tilts up to 10° for easy viewing
- Base equipped with 12-volt plug and TV antenna plug



Butterfly 1

Butterfly 2

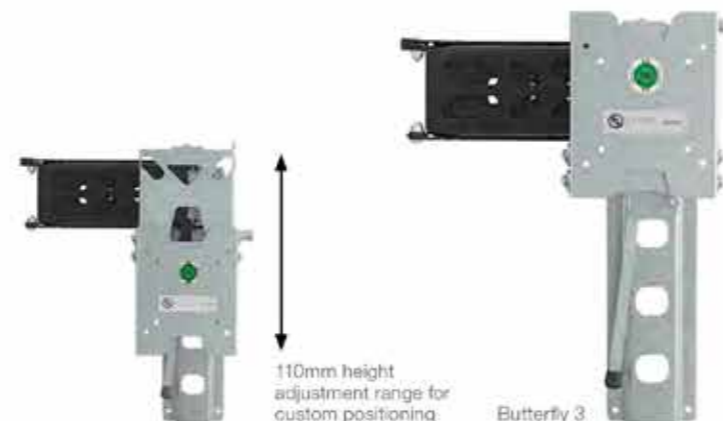
- Pantograph mechanism maximizes extension while maintaining low profile
- Support arm can be locked in place while vehicle is in motion
- Revolves and tilts up to 10° for easy visibility anywhere in the RV



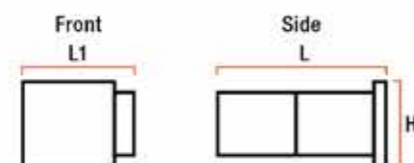
Butterfly 2

Butterfly 3

- Three-joint swivel arm for easy viewing
- 110mm height adjustment range for custom positioning
- Automatically locks in closed position for safe travel



Butterfly 3



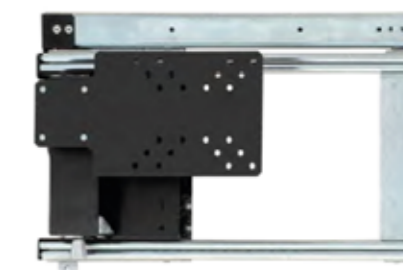
Part #	Butterfly	→L	↘L1	↗H	⚡	📺	✕	🔄
2020340929	1	261 mm	66,5 mm	227 mm	1,9 kg	8 kg	75 x 75 mm / 100 x 100 mm	180°
2020339775	2	279 mm	35 mm	156 mm	1,2 kg	8 kg	75 x 75 mm / 100 x 100 mm	180°
2020340011	2	403 mm	45 mm	156 mm	1,5 kg	8 kg	75 x 75 mm / 100 x 100 mm	180°
2020340133	2	483 mm	45 mm	156 mm	1,7 kg	8 kg	75 x 75 mm / 100 x 100 mm	180°
2020348161	3	160 mm	84 mm	156 mm	2,4 kg	8 kg	75 x 75 mm / 100 x 100 mm	180°

ROSE

Manual folding TV bracket

Rose 1

- Slides out horizontally from a cabinet for convenient storage
- Pivots up to 22° when extended, with upward or downward tilt for easy viewing
- Right or left mounting options to accommodate any RV layout
- Automatically locks in closed position for safe travel



Rose 1

Rose 2

- Slides out horizontally from a cabinet for convenient storage
- Lowers up to 15 cm, rotates 220° and tilts up or down for easy viewing
- Right or left mounting options to accommodate any RV layout
- Automatically locks in closed position for safe travel



Rose 2



Open

Rose 1 #	Rose 2 #	Outgoing	↘W	→W1	↗H	⚡	📺	✕	🔄	🔄
2020330861	2020342369	Lateral to right	315 mm	716 mm	88 mm	3,0 kg	10 kg	75 x 75 mm / 100 x 100 mm	22°	220°
2020330863	2020342370	Lateral to left	315 mm	716 mm	88 mm	3,0 kg	10 kg	75 x 75 mm / 100 x 100 mm	22°	220°
2020330867	2020341338	Lateral to right	362 mm	813 mm	88 mm	3,2 kg	10 kg	75 x 75 mm / 100 x 100 mm	22°	220°
2020330868	2020341339	Lateral to left	362 mm	813 mm	88 mm	3,2 kg	10 kg	75 x 75 mm / 100 x 100 mm	22°	220°
2020330865	2020342377	Lateral to right	362 mm	813 mm	88 mm	3,9 kg	10 kg	75 x 75 mm / 100 x 100 mm	22°	220°
2020330866	2020342377	Lateral to left	362 mm	813 mm	88 mm	3,9 kg	10 kg	75 x 75 mm / 100 x 100 mm	22°	220°
2020330869	2020342371	Lateral to right	413 mm	921 mm	88 mm	4,3 kg	10 kg	75 x 75 mm / 100 x 100 mm	22°	220°
2020330870	2020342372	Lateral to left	413 mm	921 mm	88 mm	4,3 kg	10 kg	75 x 75 mm / 100 x 100 mm	22°	220°
2020330871	2020330871	Lateral to right	409 mm	938 mm	88 mm	3,2 kg	10 kg	75 x 75 mm / 100 x 100 mm	22°	220°
2020330872	--	Lateral to left	409 mm	938 mm	88 mm	3,2 kg	10 kg	75 x 75 mm / 100 x 100 mm	22°	220°
2020330873	2020342373	Lateral to right	465 mm	1.017 mm	88 mm	4,6 kg	10 kg	75 x 75 mm / 100 x 100 mm	22°	220°
2020330874	2020342374	Lateral to left	465 mm	1.017 mm	88 mm	4,6 kg	10 kg	75 x 75 mm / 100 x 100 mm	22°	220°
2020330875	2020342375	Lateral to right	515 mm	1.040 mm	88 mm	4,9 kg	10 kg	75 x 75 mm / 100 x 100 mm	22°	220°
2020330876	2020342376	Lateral to left	515 mm	1.040 mm	88 mm	4,9 kg	10 kg	75 x 75 mm / 100 x 100 mm	22°	220°



- [Space on Demand](#)
- [Bike Carriers](#)
- [Windows & Roof Vents](#)
- [Doors & Service Doors](#)
- [Steps](#)
- [Blinds & Flyscreens](#)
- [Beds, Accessories & Ladders](#)
- [TV Brackets](#)
- [Table Legs](#)
- [Water Tanks](#)
- [Accessories](#)

DAISY

Wall-fixed TV brackets

Daisy 1



2020335607



2021090499

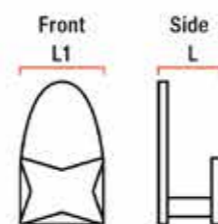
Daisy 2



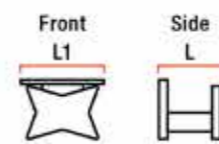
2020330885



Swivels and tilts for easy viewing Daisy 1



Revolves and tilts for easy viewing (Daisy 2)



Part #	Daisy	↖ L	↗ L1	↘ H	📦	📦	✂	🔄	🔄
2020335607	1	73 mm	120 mm	209 mm	6 kg	10 kg	75 x 75 mm / 100 x 100 mm	23°	130°
2021090499	1	73 mm	120 mm	209 mm	6 kg	10 kg	75 x 75 mm / 100 x 100 mm	23°	130°
2020330885	2	78 mm	120 mm	120 mm	8 kg	10 kg	75 x 75 mm / 100 x 100 mm	23°	120°

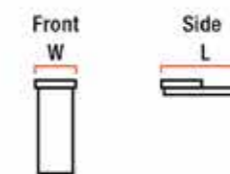
PRIMULA

TV ceiling bracket with pivoting plate

- Revolves and tilts for easy viewing
- Automatically locks in closed position for safe travel
- Pivoting support locks at various intervals for custom positioning
- Low-profile design when closed for compact storage



Low-profile design when closed for compact storage



Part #	↖ W	↗ L	📦	📦	✂	🔄
2020330896	52,25 mm	247,59 mm	1,4 kg	8 kg	75 x 75 mm / 100 x 100 mm	360°

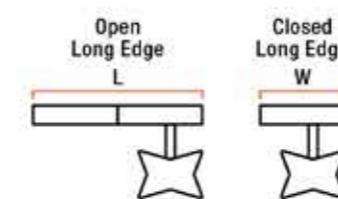
IRIS

Sliding TV ceiling bracket

- Revolves 360° and tilts for easy viewing
- Vertical adjustment with 129 mm stroke for custom positioning



Vertical adjustment with 129mm stroke for custom positioning



Part #	↖ L	↖ W	📦	📦	✂	🔄
2020333381	802 mm	360 mm	2,9 kg	8 kg	75 x 75 mm / 100 x 100 mm	360°



SUNFLOWER

Vertical dropdown TV bracket

Sunflower 1

- Three-joint swivel arm for easy viewing
- 700 mm height adjustment range with lever brake for custom positioning
- Can be mounted on the right or left side
- Anodized aluminum arm to be sleek and lightweight

Sunflower 2

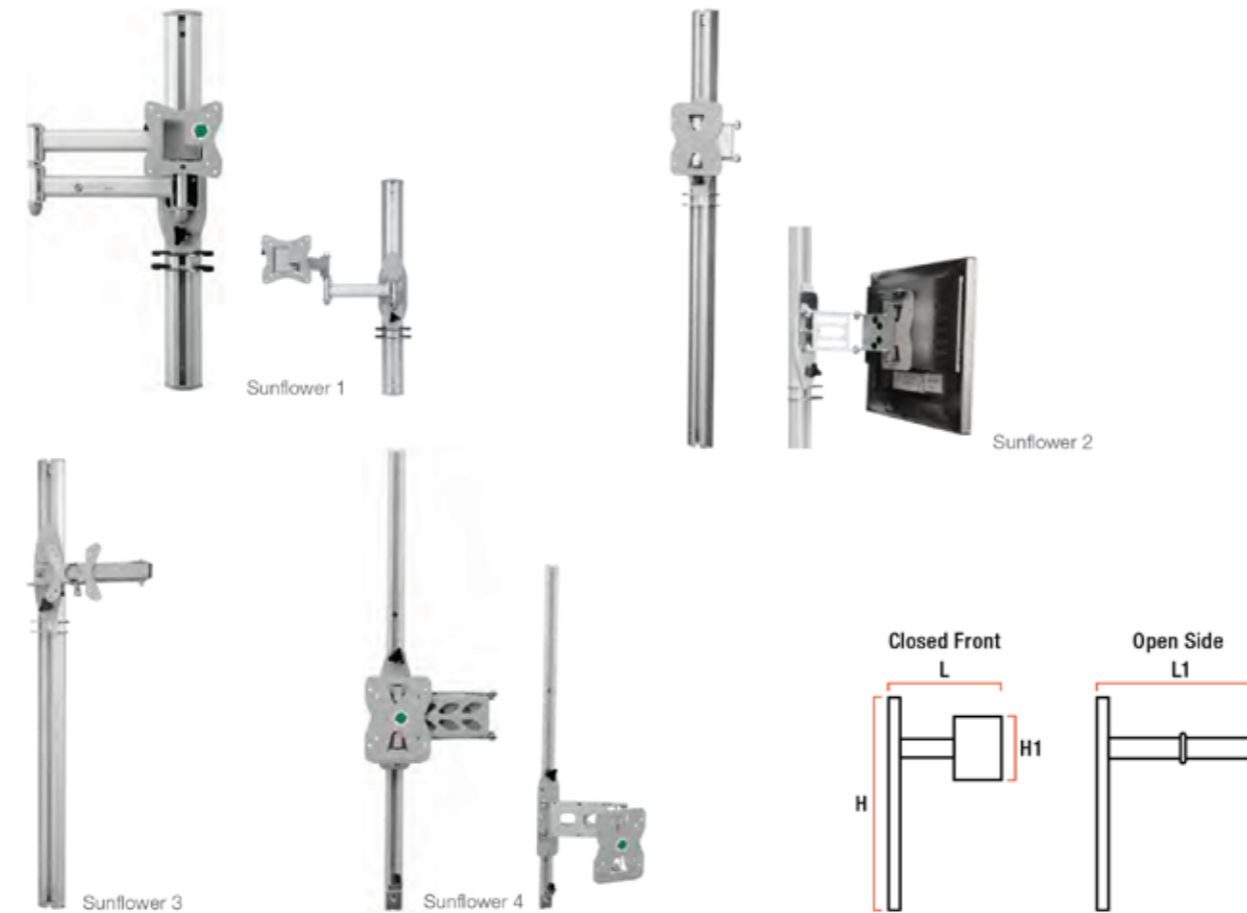
- Three-joint swivel arm for easy viewing
- 700 mm height adjustment range with lever brake for custom positioning
- Designed to mount on the right side only

Sunflower 3

- Three-joint swivel arm for easy viewing
- 700 mm height adjustment range with lever brake for custom positioning
- Designed to mount on the right side only

Sunflower 4

- Three-joint swivel arm for easy viewing
- Height adjustment and pivoting arm allow for custom TV positioning
- Included top endcap provides a finished look
- Designed to mount on the left side only

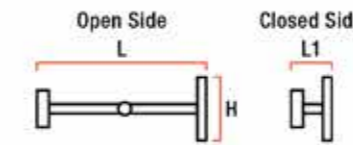


Part #	Sunflower	∠	∠ H	∠ L	∠ L1	⚖	⚖	✂	↺	↻
2020344959	1	86 mm	600 mm	304,2 mm	554 mm	1,860 kg	8 kg	75 x 75 mm / 100 x 100 mm	15°	180°
2020339912	2	57,66 mm	990 mm	58 mm	250,66 mm	1,550 kg	8 kg	75 x 75 mm / 100 x 100 mm	--	160°
2020339050	3	99 mm	990 mm	277 mm	440 mm	1,650 kg	8 kg	75 x 75 mm / 100 x 100 mm	--	180°
2020339051	4	62 mm	850 mm	63 mm	443 mm	1,806 kg	8 kg	75 x 75 mm / 100 x 100 mm	--	160°

DRAGONFLY

TV pole mount

- Three-joint swivel arm for easy viewing
- Adjustable height on the pole with locking knobs for custom positioning
- Lockable in closed position for safe travel
- Pole not included



Part #	∠ L	∠ L1	∠ H	⚖	⚖	✂	↺
2020348658	475 mm	131 mm	200 mm	1,6 kg	8 kg	75 x 75 mm / 100 x 100 mm	270°



TV BRACKETS

TV BRACKETS



[Space on Demand](#)

[Bike Carriers](#)

[Windows & Roof Vents](#)

[Doors & Service Doors](#)

[Steps](#)

[Blinds & Flyscreens](#)

[Beds, Accessories & Ladders](#)

[TV Brackets](#)

[Table Legs](#)

[Water Tanks](#)

[Accessories](#)

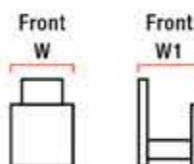
WISTERIA

Sliding TV brackets

- Slide adjustment for custom positioning of the TV
- Wall-mount and ceiling-mount options available
- Revolves and tilts forward up to 18° and backward up to 90° for easy viewing
- Automatically locks in closed position for safe travel



Part #	W1	L	H	Weight	Capacity
Standard Version					
2020330907	74 mm	726 mm	300 mm	3,00 kg	10 kg
2020330909	74 mm	826 mm	350 mm	3,80 kg	10 kg
2020330910	90 mm	826 mm	350 mm	3,80 kg	20 kg
2020330913	90 mm	933 mm	400 mm	4,00 kg	20 kg
2020330915	90 mm	1.027 mm	450 mm	4,20 kg	20 kg
2020330917	90 mm	1.050 mm	500 mm	4,40 kg	20 kg
Ceiling Version					
2020330908	74 mm	726 mm	300 mm	3,00 kg	10 kg
2020330911	74 mm	826 mm	350 mm	3,80 kg	10 kg
2020330912	90 mm	826 mm	350 mm	3,80 kg	20 kg
2020330914	90 mm	933 mm	400 mm	4,00 kg	20 kg
2020330916	90 mm	1.027 mm	450 mm	4,20 kg	20 kg



LAVENDER

TV bracket with adjustable height

- Two-joint swivel arm for easy viewing
- 400 mm height adjustment range and 10° to 170° pivot for custom positioning
- Right or left placement to adapt to any RV layout



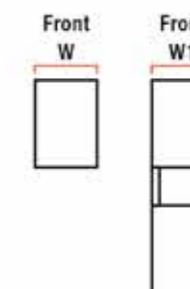
Open front



Closed back



Two-joint swivel arm for easy viewing



Part #	L	H	Weight	Capacity	Mounting	
2020344906	152 mm	47 mm	194 mm	2,875 kg	8 kg	75 x 75 mm / 100 x 100 mm
2020343978	152 mm	47 mm	194 mm	2,875 kg	8 kg	75 x 75 mm / 100 x 100 mm

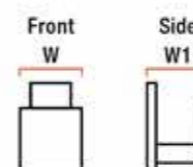
WILLOW

TV bracket for Wisteria

- Adds three-joint swivel arm to Wisteria sliding TV brackets
- Low-profile design measures 275 x 260 x 79 mm when closed for compact storage



Wisteria Willow Wisteria and Willow assembled



Part #	W1	H	W	Weight	Capacity	Mounting
2020335462	81	323,87 mm	250 mm	1,96 kg	8 kg	75 x 75 mm / 100 x 100 mm

FRESIA

Vertical sliding TV brackets

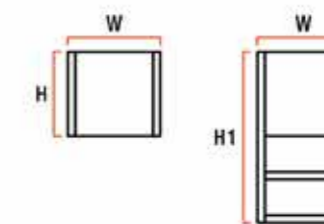
- Motorized lift allows TV to be retracted into the ceiling when not in use
- Extends to 1.015 mm and tilts 10° to 170° for easy viewing
- One-motor, belt-driven mechanism for automated sliding



Extends and tilts for easy viewing



One-motor, belt-driven mechanism for automated sliding



Part #	Motor	Tilts	H	H1	W	Weight	Capacity	Mounting
2020338235	4 amps	No	485 mm	1.014 mm	187 mm	5,7 kg	8 kg	75 x 75 mm / 100 x 100 mm
2020338234	4 amps	Yes	485 mm	1.014 mm	187 mm	5,7 kg	8 kg	75 x 75 mm / 100 x 100 mm
2020338238	4 amps	Yes	485 mm	1.014 mm	187 mm	5,7 kg	8 kg	75 x 75 mm / 100 x 100 mm



LILY

Disappearing TV bracket for ceiling

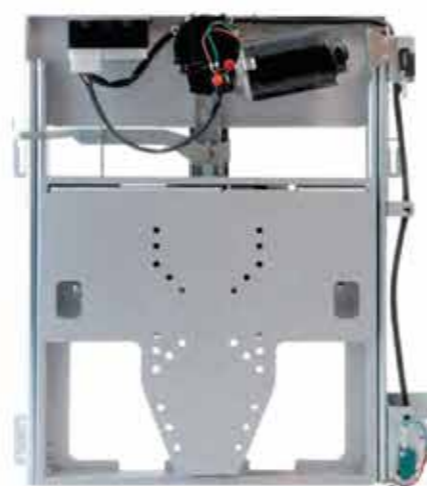
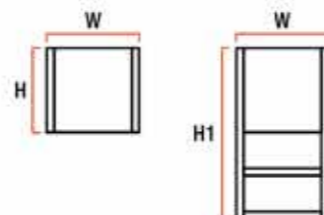
- Motorized lift allows TV to be completely hidden when retracted
- Designed to drop down from a cabinet
- Extends up to 80 mm and tilts up to 23° for easy viewing
- Right or left placement to adapt to any RV layout
- Multifunction electronic control unit requires 3-amps of energy input



Motorized lift allows TV to be completely hidden when retracted



Drops down from a cabinet



Part #	↕ H	↕ H1	↕ W	⚖	⚖	✂
2020331413	467 mm	880 mm	356 mm	7,4 kg	10 kg	75 x 75 mm / 100 x 100 mm

TV BRACKETS

EDELWEISS

Manual TV lift

Edelweiss 1

- Extends to 440 mm with +/- 12° swivel for easy viewing
- Integrated handle for easy lifting
- Lift magnetically locks in closed position for safe travel



Edelweiss 2

- Three-joint swivel arm with 180° swivel for easy viewing
- Extends to 440 mm
- Lift magnetically locks in closed position for safe travel



Part #	Edelweiss	↕ H	↕ H1	↕ W	⚖	⚖	✂
2020335249	1	481 mm	891 mm	480 mm	7,3 kg	8 kg	75 x 75 mm / 100 x 100 mm
2020335946	2	441 mm	891 mm	480 mm	7,3 kg	8 kg	75 x 75 mm / 100 x 100 mm

VIOLET

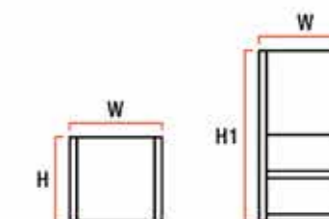
Disappearing TV bracket for counter tops

Violet 1

- Motorized lift allows TV to be completely hidden when retracted
- Extends up to 80 mm and tilts up to 23° for easy viewing
- Designed to mount onto counter tops, shelves or furniture
- Right or left placement to adapt to any RV layout
- Multifunction electronic control unit requires 3-amps energy input



Violet 1



Violet 2

- Motorized lift allows TV to be completely hidden when retracted
- Dual-motor, belt-driven mechanism for smooth, even sliding
- Tilt adjustment for easy viewing
- Incoming voltage: 13-volt
- Maximum amperage: 6-amp



Violet 2



Motorized lift allows TV to be completely hidden when retracted

Part #	Violet	↕ H	↕ H1	↕ W	⚖	⚖	✂
2020331412	1	532 mm	945 mm	396 mm	7,1 kg	8 kg	75 x 75 mm / 100 x 100 mm
2020346635	2	504 mm	950 mm	635 mm	9,5 kg	15 kg	75 x 75 mm / 100 x 100 mm / 200 x 100 mm

TV BRACKETS

BLUEBELL

Sliding TV bracket with lowering arm

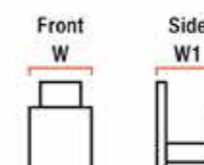
- Pivoting arm allows TV to be lowered down or retracted for convenient storage
- Revolves and tilts backward up to 90° for easy viewing



Pivoting arm allows TV to be lowered down or retracted for convenient storage



Revolves and tilts backward up to 90° for easy viewing



Part #	↕ W1	↕ H	↕ W	⚖	⚖
2020335504	112 mm	726 mm	300 mm	3,6 kg	10 kg
2020335479	112 mm	826 mm	350 mm	3,9 kg	10 kg
2020335529	112 mm	933 mm	400 mm	4,1 kg	10 kg
2020335528	112 mm	1.027 mm	450 mm	4,2 kg	10 kg
2020335511	112 mm	1.050 mm	500 mm	4,65 kg	10 kg



- [Space on Demand](#)
- [Bike Carriers](#)
- [Windows & Roof Vents](#)
- [Doors & Service Doors](#)
- [Steps](#)
- [Blinds & Flyscreens](#)
- [Beds, Accessories & Ladders](#)
- [TV Brackets](#)
- [Table Legs](#)
- [Water Tanks](#)
- [Accessories](#)

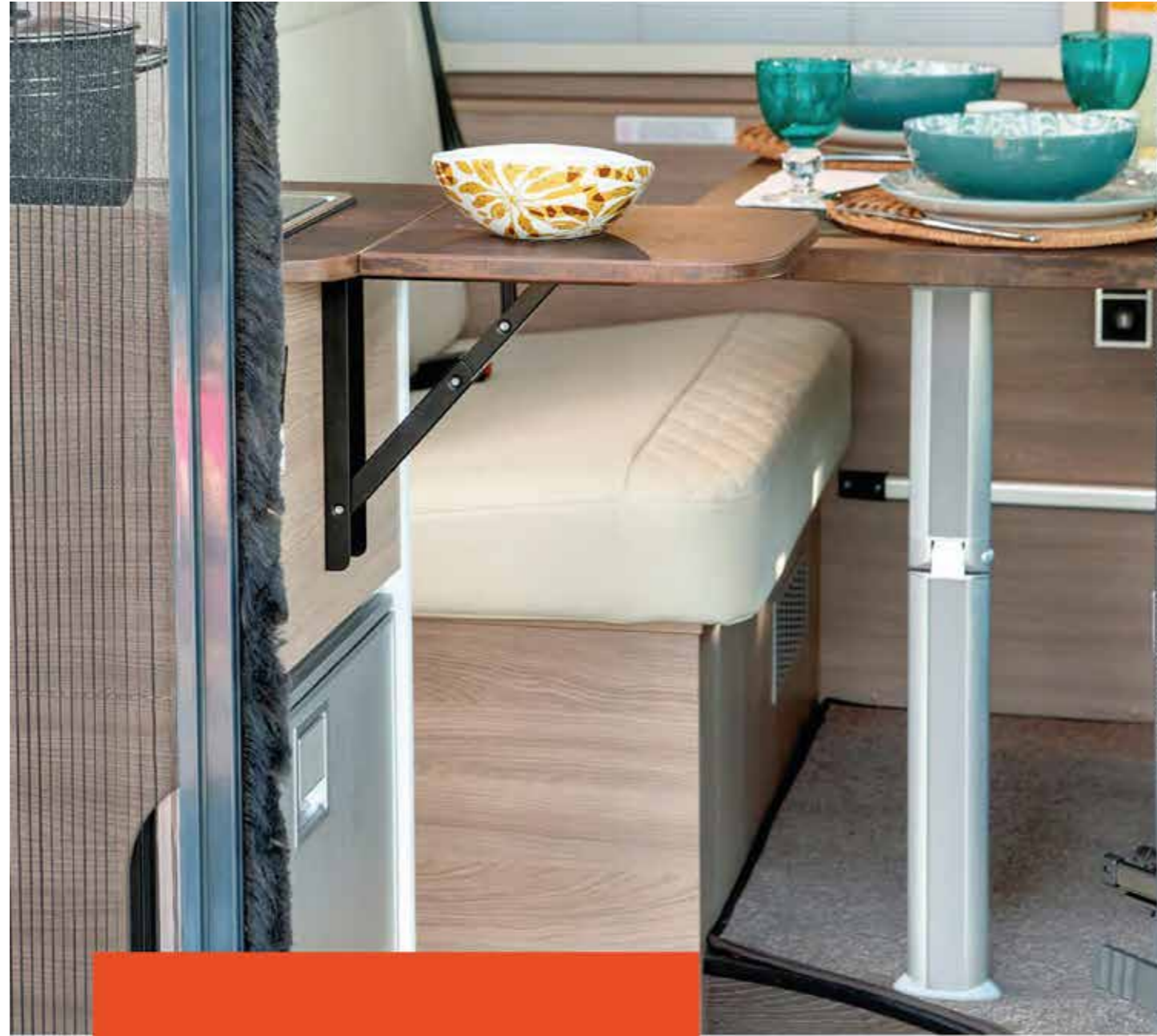


TABLE LEGS

Whether it's enjoying a meal together, playing a game or mapping out the next destination, the table is the centerpiece of a caravan or campervan. Lippert table legs are highly versatile and available in wide array of configurations, providing the perfect, integrated fit.

Whenever, wherever, we make your experience better.



TABLE LEGS



Space on Demand

Bike Carriers

Windows & Roof Vents

Doors & Service Doors

Steps

Blinds & Flyscreens

Beds, Accessories & Ladders

TV Brackets

Table Legs

Water Tanks

Accessories

COSMO

Table legs

Cosmo 2

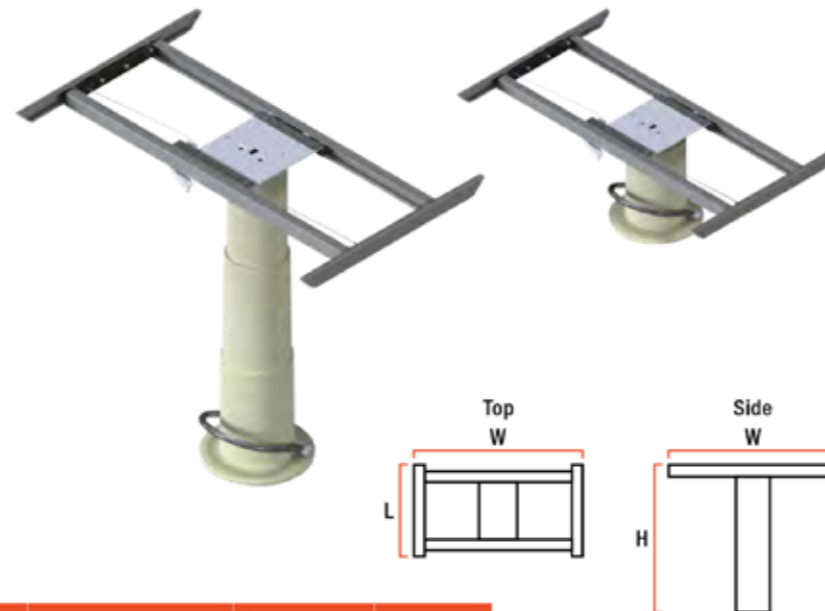
- Allows table to rotate and slide as needed to fully optimize interior space
- Telescoping leg with automatic uplift for easy height adjustment
- Plastic and aluminum slide components for smooth operation
- Round tube profile for a sleek, functional accent
- Slide-only, rotate-only, fixed and combination options available



Part #	Slide Directions	Rotates	↔ H	↔ W	↔ L
2021114805	4	No	340 mm to 720 mm	680 mm	560 mm
2021107169	4	Yes	340 mm to 720 mm	680 mm	560 mm
2021103759	Fixed	No	340 mm to 720 mm	680 mm	560 mm

Cosmo 3

- Allows table to rotate and slide as needed to fully optimize interior space
- Telescoping leg with automatic uplift for easy height adjustment
- Plastic and aluminum slide components for smooth operation
- Steel and iron construction for maximum strength
- Round tube profile for a sleek, functional accent



Part #	Slide Directions	Rotates	↔ H	↔ W	↔ L
2021115766	4	Yes	335 mm to 715 mm	680 mm	560 mm
2021115691	4	No	335 mm to 715 mm	680 mm	560 mm
2021117999	Fixed	No	335 mm to 715 mm	680 mm	560 mm

GALAXY

Table legs

- Allows table to rotate and slide as needed to fully optimize interior space
- Telescoping leg with automatic uplift for easy height adjustment
- Steel and iron construction for maximum strength
- Oval tube profile for a sleek, elegant accent
- Combination, slide-only, rotate-only and fixed options available



Part #	Slide Directions	Rotates	↔ H	↔ W	↔ L
2021117752	4	No	340 mm to 730 mm	680 mm	560 mm
2021115711	4	Yes	340 mm to 730 mm	680 mm	560 mm
2021117738	Fixed	No	340 mm to 730 mm	680 mm	560 mm





[Space on Demand](#)

[Bike Carriers](#)

[Windows & Roof Vents](#)

[Doors & Service Doors](#)

[Steps](#)

[Blinds & Flyscreens](#)

[Beds, Accessories & Ladders](#)

[TV Brackets](#)

[Table Legs](#)

[Water Tanks](#)

[Accessories](#)

COLUMN

Table legs

- Allows table to rotate and slide as needed to fully optimize interior space
- Plastic and aluminum slide components for smooth operation
- For strength and corrosion resistance
- Round tube profile for a sleek, functional accent
- Combination, slide-only, rotate-only and fixed options available



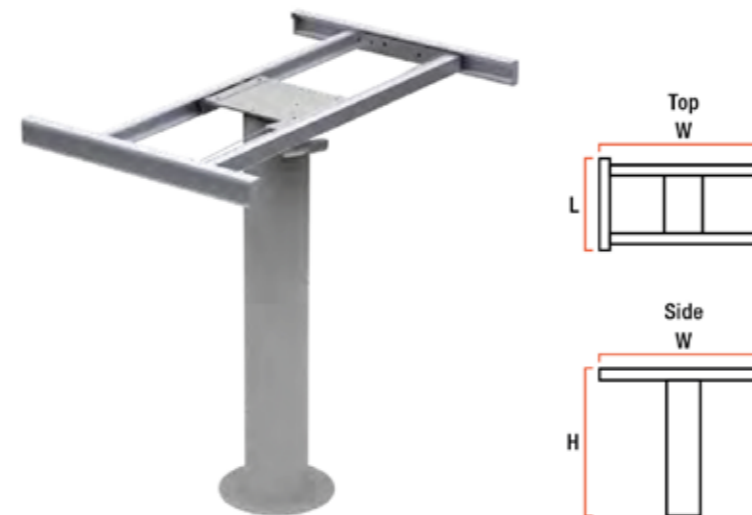
Part #	Slide Directions	Rotates	↕ H	↔ W	↔ L
2021103765	4	No	720 mm	680 mm	560 mm
2021103735	4	Yes	720 mm	680 mm	560 mm
2021103728	Fixed	Yes	720 mm	680 mm	560 mm
2021103744	Fixed	No	720 mm	680 mm	560 mm

UNIVERSO

Table leg

- Allows table to slide as needed to fully optimize interior space
- Plastic and aluminum slide components for smooth operation
- Painted, galvanized steel leg for maximum strength
- Oval tube profile for a sleek, elegant accent

TABLE LEGS

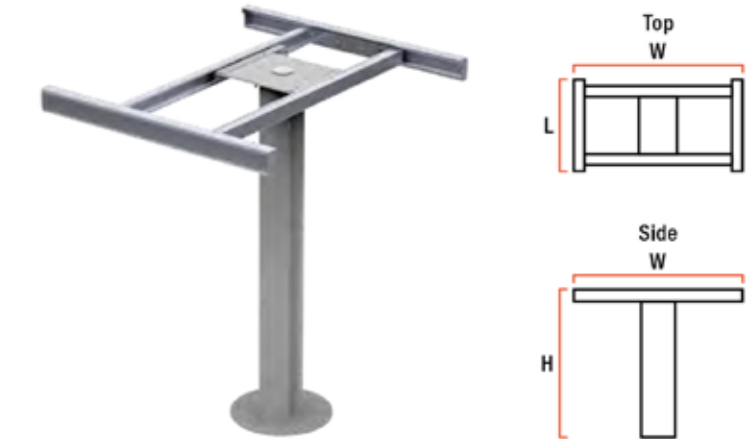


Part #	Slide Directions	Rotates	↕ H	↔ W	↔ L
2021103907	4	No	740 mm	680 mm	560 mm

PLANET

Table legs

- Allows table to rotate and slide as needed to fully optimize interior space
- Plastic and aluminum slide components for smooth operation
- Steel and iron construction for maximum strength
- Unique oval tube profile for a sleek, elegant accent
- Combination, slide-only, rotate-only and fixed options available



Part #	Slide Directions	Rotates	↕ H	↔ W	↔ L
2021103754	4	No	740 mm	680 mm	560 mm
2021111856	4	Yes	740 mm	680 mm	560 mm
2021103721	Fixed	No	740 mm	680 mm	560 mm

RAINBOW

Table legs

- Allows table to rotate and slide as needed to fully optimize interior space
- Beautiful, arched wood support for an unmistakable accent piece
- Plastic and aluminum slide components for smooth operation
- Combination, slide-only, rotate-only and fixed options available

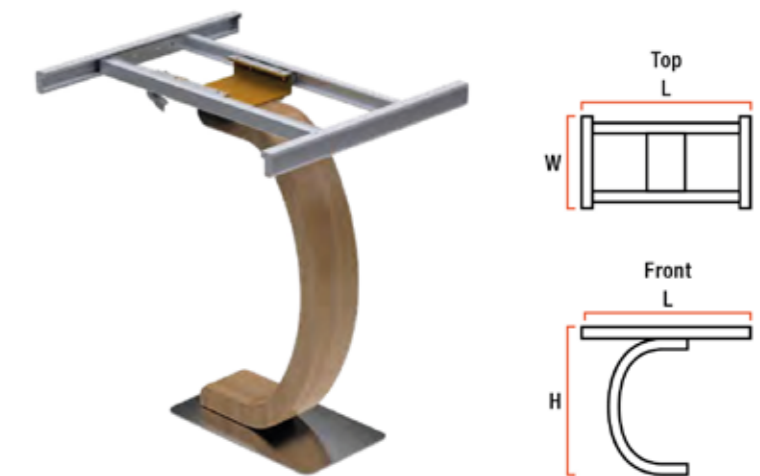


TABLE LEGS

Part #	Slide Directions	Rotates	↕ H	↔ L	↔ W
2021117115	4	No	760 mm	680 mm	560 mm
2021115735	4	Yes	760 mm	680 mm	560 mm
2021103737	Leg only	--	--	--	--

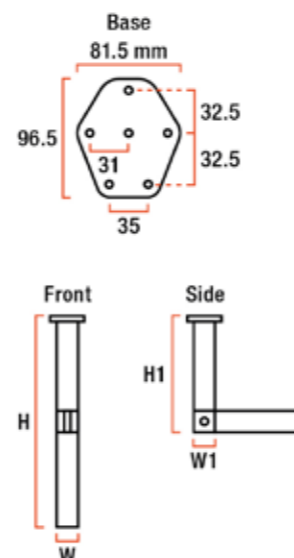


ASTRO

Folding table leg

Astro 1

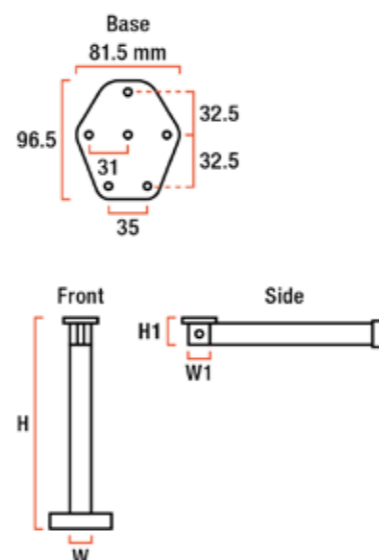
- Center-fold design for compact as-needed table storage (#2021104613)
- Leg separates from base for additional breakdown (#2021104610)
- Extruded, anodized aluminum to be strong and lightweight
- Rectangular tube profile for a sturdy, functional accent
- Tough plastic hinge and top plate will never rust



Part #	Foot Style	↕ H	↕ H1	↕ W	↕ W1	↕ Base Size
2021110445	Simple	720 mm	380 mm	40 mm	32 mm	96,5 mm x 81,5 mm
2021118848	Simple	720 mm	--	40 mm	32 mm	96,5 mm x 81,5 mm

Astro 2

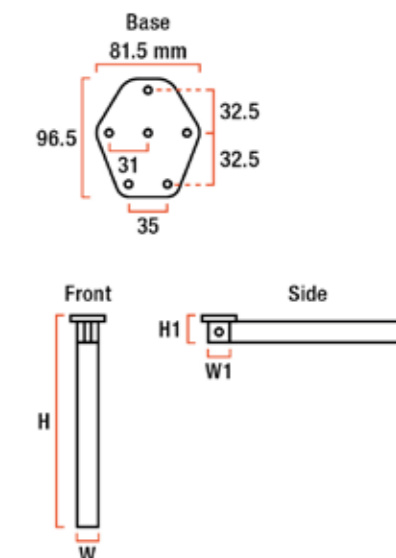
- Top-fold design for compact table as-needed storage
- Extruded, anodized aluminum to be strong and lightweight
- Rectangular tube profile for a sturdy, functional accent
- Tough plastic hinge and top plate will never rust
- Bottom foot for increased stability



Part #	Foot Style	↕ H	↕ H1	↕ W	↕ W1	↕ Base Size
2021110470	Simple	720 mm	75 mm	40 mm	32 mm	96,5 mm x 81,5 mm
2021103738	Wheeled	720 mm	75 mm	40 mm	32 mm	96,5 mm x 81,5 mm
2021110439	Telescoping	720 mm	75 mm	40 mm	32 mm	96,5 mm x 81,5 mm

Astro 3

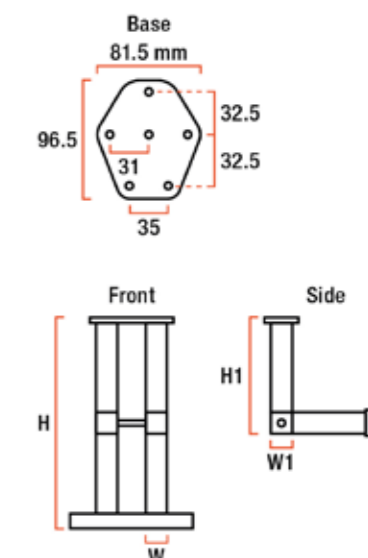
- Top-fold design for compact table as-needed storage
- Wheeled and telescoping options available
- Extruded, anodized aluminum to be strong and lightweight
- Rectangular tube profile for a sturdy, functional accent
- Tough plastic hinge and top plate will never rust



Part #	Foot Style	↕ H	↕ H1	↕ W	↕ W1	↕ Base Size
2021114789	Simple foot	720 mm	75 mm	40 mm	32 mm	96,5 mm x 81,5 mm
2021103746	Wheeled	720 mm	75 mm	40 mm	32 mm	96,5 mm x 81,5 mm
2021110478	Telescoping	720 mm	75 mm	40 mm	32 mm	96,5 mm x 81,5 mm
2021103771	Wheeled and telescoping	720 mm	75 mm	40 mm	32 mm	96,5 mm x 81,5 mm

Astro 4

- Center-fold design for compact table as-needed storage
- Extruded, anodized aluminum to be strong and lightweight
- Rectangular tube profile for a sturdy, functional accent
- Tough plastic hinge and top plate will never rust
- Dual-leg configuration with bottom foot for enhanced stability



Part #	Foot Style	↕ H	↕ H1	↕ W	↕ W1	↕ Base Size
2021103730	Simple	720 mm	380 mm	40 mm	32 mm	96,5 mm x 81,5 mm

TABLE LEGS

TABLE LEGS

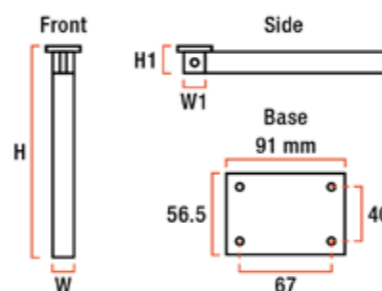


COMET

Folding table leg

Comet 1

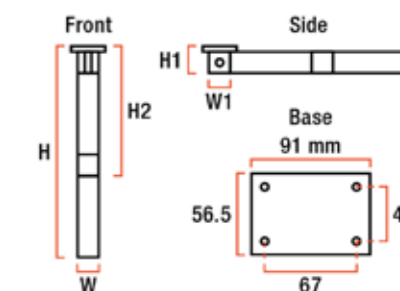
- Top-fold design for compact table as-needed storage
- Extruded, anodized aluminum to be strong and lightweight
- Oval tube profile for a sleek, elegant accent
- Tough plastic hinge and top plate will never rust



Part #	Foot Style	↙ H	↙ H1	↙ W	↙ W1	↙ Base Size
2021110453	Simple	720 mm	37 mm	30 mm	15 mm	91 mm x 56.5 mm

Comet 3

- Top-fold design for compact table as-needed storage
- Leg separates into two pieces for additional breakdown (409 mm)
- Extruded, anodized aluminum to be strong and lightweight
- Oval tube profile for a sleek, elegant accent
- Tough plastic hinge and top plate will never rust

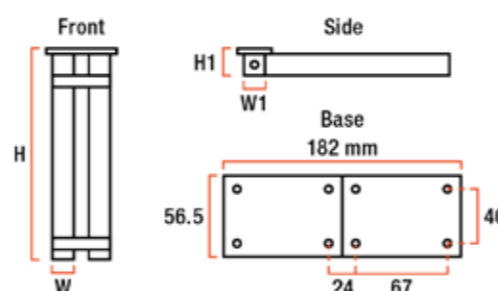


Part #	Foot Style	↙ H	↙ H1	↙ H2	↙ W	↙ W1	↙ Base Size
2021110535	Simple	720 mm	37 mm	409 mm	30 mm	15 mm	91 mm x 56.5 mm

Comet 2

- Top-fold design for compact table as-needed storage
- Extruded, anodized aluminum to be strong and lightweight
- Oval tube profile for a sleek, elegant accent
- Tough plastic hinge and top plate will never rust
- Dual-leg configuration with bottom foot for enhanced stability

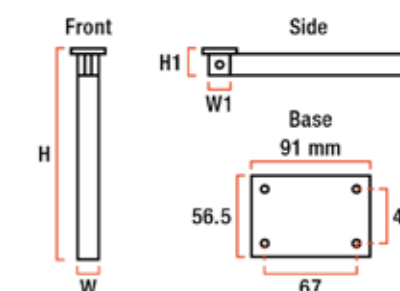
TABLE LEGS



Part #	Foot Style	↙ H	↙ H1	↙ W	↙ W1	↙ Base Size
2021115762	Simple	720 mm	37 mm	30 mm	15 mm	182 mm x 56.5 mm

Comet 4

- Top-fold design for compact table as-needed storage
- Leg separates from hinging base for additional breakdown
- Extruded, anodized aluminum to be strong and lightweight
- Oval tube profile for a sleek, elegant accent
- Tough plastic hinge and top plate will never rust



Part #	Foot Style	↙ H	↙ H1	↙ W	↙ W1	↙ Base Size
2021110508	Simple	720 mm	37 mm	30 mm	15 mm	91 mm x 56.5 mm

TABLE LEGS

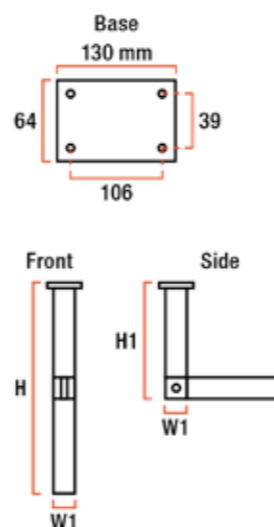


MAGNUM

Folding table leg

Magnum 1

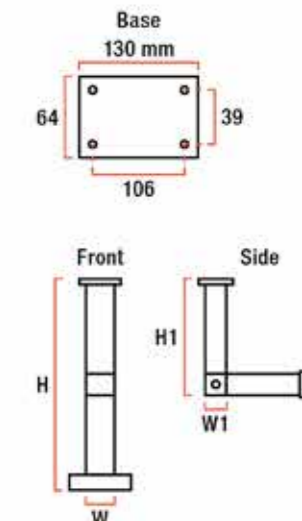
- Center-fold design for compact table as-needed storage
- Extruded, anodized aluminum to be strong and lightweight
- 70 x 30 mm fluted oval tube profile for a robust accent
- Die-cast aluminum hinge and top plate will never rust



Part #	Foot Style	H	H1	W	W1	Base Size
2021116928	Simple	720 mm	380 mm	70 mm	33 mm	130 mm x 64 mm

Magnum 3

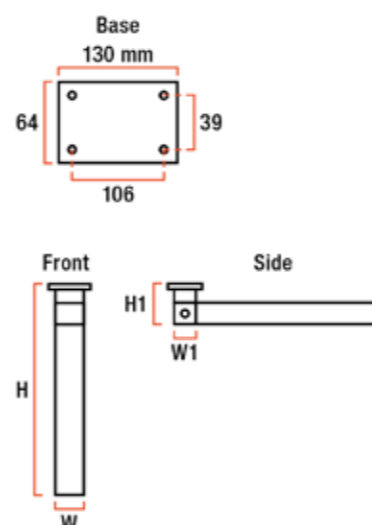
- Center-fold design for compact table as-needed storage
- Extruded, anodized aluminum to be strong and lightweight
- 70 x 30 mm fluted oval tube profile for a robust accent
- Die-cast aluminum hinge and top plate will never rust
- Bottom foot for increased stability



Part #	Foot Style	H	H1	W	W1	Base Size
2021110539	Simple	720 mm	380 mm	70 mm	33 mm	130 mm x 64 mm
2021103726	Wheeled	720 mm	380 mm	70 mm	33 mm	130 mm x 64 mm

Magnum 2

- Top-fold design for compact table as-needed storage
- Extruded, anodized aluminum to be strong and lightweight
- 70 x 30 mm fluted oval tube profile for a robust accent
- Die-cast aluminum hinge and top plate will never rust



Part #	Foot Style	H	H1	W	W1	Base Size
2021114779	Simple	720 mm	100 mm	70 mm	33 mm	130 mm x 64 mm



TABLE LEGS

TABLE LEGS

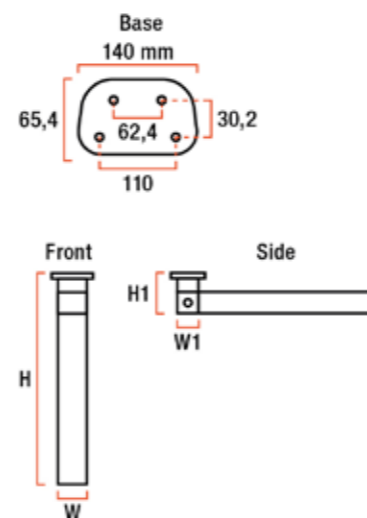


MOON

Folding table leg

Moon 1

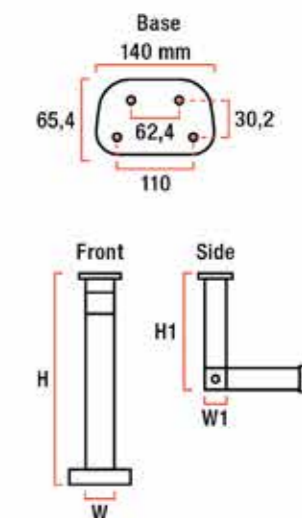
- Top-fold design for compact table as-needed storage
- Extruded, anodized aluminum to be strong and lightweight
- Oval tube profile with plastic insert for a stylish accent
- Tough aluminum hinge and top plate will never rust



Part #	Foot Style	↙ H	↙ H1	↙ W	↙ W1	↙ Base Size
2021114864	Simple	750 mm	60 mm	72 mm	29 mm	140 mm x 65,4 mm

Moon 3

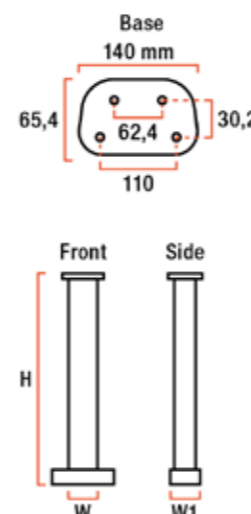
- Center-fold design for compact table as-needed storage
- Extruded, anodized aluminum to be strong and lightweight
- Oval tube profile with plastic insert for a stylish accent
- Tough aluminum hinge and top plate will never rust
- Bottom foot for increased stability



Part #	Foot Style	↙ H	↙ H1	↙ W	↙ W1	↙ Base Size
2021103761	Simple	750 mm	260 mm	72 mm	29 mm	140 mm x 65,4 mm

Moon 2

- Non-folding design with bottom foot for increased stability
- Extruded, anodized aluminum to be strong and lightweight
- Oval tube profile with plastic insert for a stylish accent



Part #	Foot Style	↙ H	↙ W	↙ W1	↙ Base Size
2021103742	Simple	750 mm	72 mm	29 mm	140 mm x 65,4 mm



TABLE LEGS

TABLE LEGS

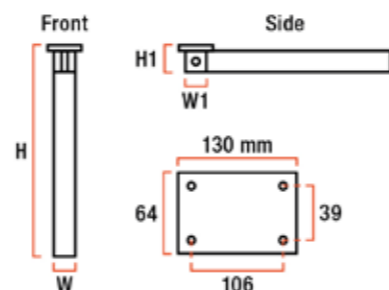


STAR

Folding table leg

Star 1

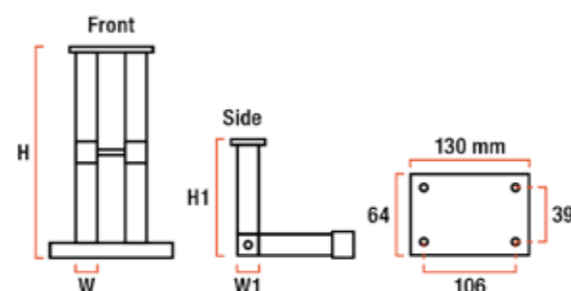
- Extruded, anodized aluminum leg to be strong and lightweight
- Rectangular tube profile for a sturdy, functional accent
- Diecast aluminum hinge and galvanized steel top plate for maximum strength



Part #	Foot Style	H	H1	W	W1
2021110640	Simple	720 mm	75 mm	60 mm	32 mm

Star 2

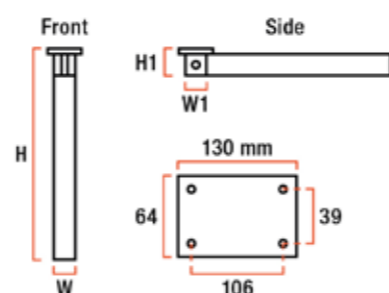
- Top-fold design for compact table as-needed storage
- Extruded, anodized aluminum leg to be strong and lightweight
- Diecast aluminum hinge and galvanized steel top plate for maximum strength
- Dual-leg configuration with bottom foot for enhanced stability



Part #	Foot Style	H	H1	W	W1
2021103792	Simple	720 mm	380 mm	60 mm	32 mm

Star 3

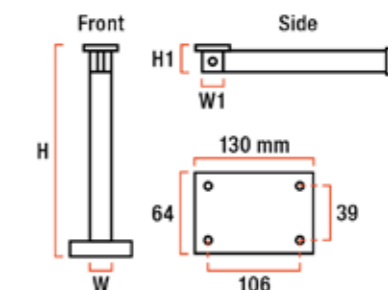
- Top-fold design for compact table as-needed storage
- Extruded, anodized aluminum leg to be strong and lightweight
- Rectangular tube profile for a sturdy, functional accent
- Diecast aluminum hinge and galvanized steel top plate for maximum strength
- Adjustable foot to ensure level table surface



Part #	Foot Style	H	H1	W	W1
2021112764	Adjustable	720 mm	75 mm	60 mm	32 mm

Star 4

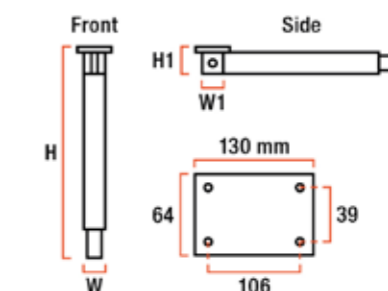
- Top-fold design for compact table as-needed storage
- Extruded, anodized aluminum leg to be strong and lightweight
- Rectangular tube profile for a sturdy, functional accent
- Diecast aluminum hinge and galvanized steel top plate for maximum strength
- Bottom foot for increased stability



Part #	Foot Style	H	H1	W	W1
2021118122	Simple	720 mm	75 mm	60 mm	32 mm

Star 5

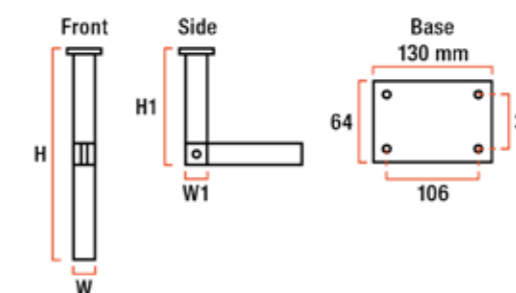
- Top-fold design for compact table as-needed storage
- Extruded, anodized aluminum leg to be strong and lightweight
- Rectangular tube profile for a sturdy, functional accent
- Diecast aluminum hinge and galvanized steel top plate for maximum strength
- Telescoping bottom leg to ensure level table surface



Part #	Foot Style	H (mm)	H1	W	W1
2021103727	Telescopes	650 to 750	75 mm	60 mm	32 mm

Star 6

- Top-fold design for compact table as-needed storage
- Leg separates from hinging base for additional breakdown
- Extruded, anodized aluminum leg to be strong and lightweight
- Rectangular tube profile for a sturdy, functional accent
- Diecast aluminum hinge and galvanized steel top plate for maximum strength



Part #	Foot Style	H	H1	W	W1
2021112167	Simple	720 mm	380 mm	60 mm	32 mm

TABLE LEGS

TABLE LEGS



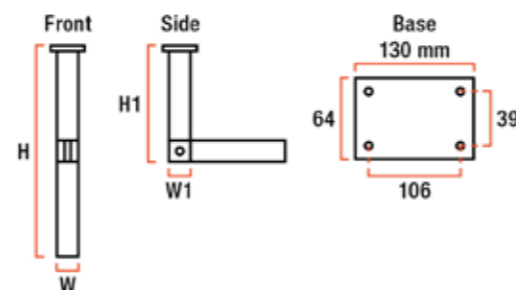
- [Space on Demand](#)
- [Bike Carriers](#)
- [Windows & Roof Vents](#)
- [Doors & Service Doors](#)
- [Steps](#)
- [Blinds & Flyscreens](#)
- [Beds, Accessories & Ladders](#)
- [TV Brackets](#)
- [Table Legs](#)
- [Water Tanks](#)
- [Accessories](#)

STAR

Folding table leg

Star 7

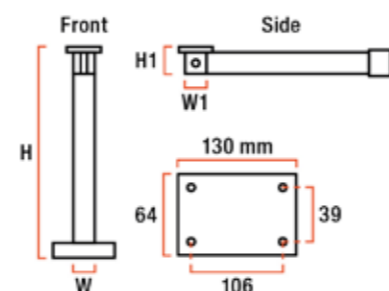
- Center-fold design for compact table as-needed storage
- Extruded, anodized aluminum leg to be strong and lightweight
- Rectangular tube profile for a sturdy, functional accent
- Diecast aluminum hinge and galvanized steel top plate for maximum strength



Part #	Foot Style	↕ H	↕ H1	↕ W	↕ W1
2021110714	Simple	720 mm	380 mm	60 mm	32 mm

Star 8

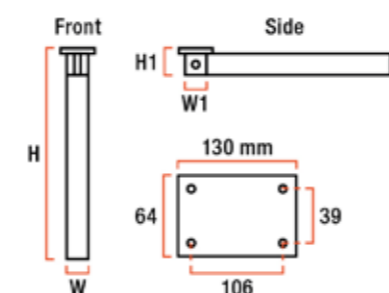
- Top-fold design for compact table as-needed storage
- Extruded, anodized aluminum leg to be strong and lightweight
- Rectangular tube profile for a sturdy, functional accent
- Diecast aluminum hinge and galvanized steel top plate for maximum strength
- Telescoping bottom leg to ensure level table surface
- Bottom foot for increased stability



Part #	Foot Style	↕ H (mm)	↕ H1	↕ W	↕ W1
2021110728	Telescoping	650 to 750	75 mm	60 mm	32 mm

Star 9

- Top-fold design for compact table as-needed storage
- Extruded, anodized aluminum leg to be strong and lightweight
- Rectangular tube profile for a sturdy, functional accent
- Diecast aluminum hinge and galvanized steel top plate for maximum strength
- Bottom wheel for convenient mobility



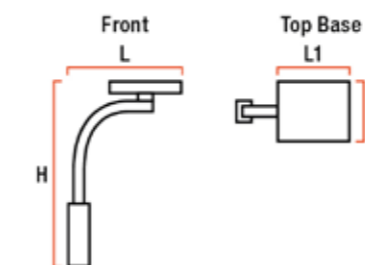
Part #	Foot Style	↕ H	↕ H1	↕ W	↕ W1
2021103793	Wheeled	720 mm	75 mm	60 mm	32 mm



CORNER

Table leg

- Rotating base allows for custom positioning of the table top
- Galvanized steel construction for maximum strength
- Round tube profile for a sleek, functional accent

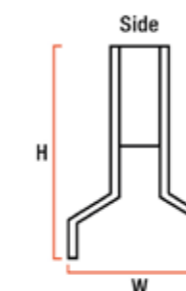


Part #	Version	Rotates	↕ H	↕ L	↕ L1	↕ W
2021111851	Corner 1	Yes	735 mm	450 mm	200 mm	200 mm
2021111699	Corner 2	Yes	730 mm	450 mm	200 mm	200 mm

STABILIOUS & STABILIOUS EVO

Table leg

- Wide-stance design to support large tables
- Folding base allows for compact storage of table when not in use
- Galvanized, painted steel construction for maximum strength
- Includes one pair of legs (table top not included)



Part #	Name	Includes	↕ H	↕ W
2021112590	Stabilious	Two legs	700 mm	450 mm
2021117700	Stabilious Evo	Two legs	700 mm	455 mm

TABLE LEGS

TABLE LEGS



GIOCONDA

Folding table support

- Allows table to fold out as needed to fully optimize interior space
- Adjustable height to adapt to any setting
- Easy four-screw installation (screws not included)
- Table base not included

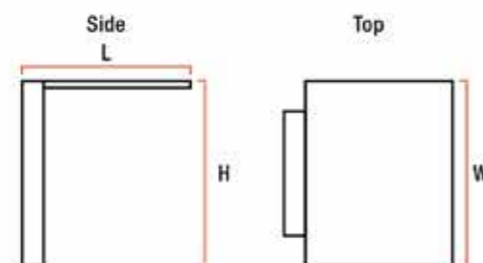


Adjustable height adapts to any setting



Table folds down completely to save space in the RV

Easy, fold-out design



Part #	Height Range	H	W	L
2021115584	230 mm to 596 mm	600 mm	460 mm	425,30 mm

MITO

Sliding connection kit

- Provides an adjustable bracket system to mount the table
- Sliding brackets easily adjust to any table width up to 950 mm
- Plastic and anodized aluminum construction for smooth operation
- Includes table attachment bracket, wall attachment bracket cover, plastic rack, aluminum support bar and wall attachment bracket



Provides an adjustable bracket system to mount the table

Part #	#	Name	Description
2021112097	1	Mito	Table kit (includes all below parts)
2021109910	2	Mito Hang	Table attachment bracket
2021109922	3	Mito Cover	Wall attachment bracket cover

Part #	#	Name	Description
2021109944	4	Mito Rack	Plastic rack
2021115152	5	Mito Rail	Aluminum support bar
2021109894	6	Mito Fix	Wall attachment bracket

STILO

Sliding connection kit

- Provides an adjustable bracket system to mount the table
- Sliding brackets easily adjust to any table width up to 750 mm
- Plastic and aluminum construction for smooth operation
- Includes table attachment bracket, plastic ring, plastic rack, aluminum support bar and wall attachment bracket



Allows table to be put up and down as needed

Part #	#	Name	Description
2021112439	1	Stilo	Table kit (includes all below parts)
2021109965	2	Stilo Hang	Table attachment bracket
2021117753	3	Stilo Ring	Plastic ring

Part #	#	Name	Description
2021109942	4	Stilo Rack	Plastic rack
2021115763	5	Stilo Rail	Aluminum support bar
2021117709	6	Stilo Fix	Wall attachment bracket





Space on Demand

Bike Carriers

Windows & Roof Vents

Doors & Service Doors

Steps

Blinds & Flyscreens

Beds, Accessories & Ladders

TV Brackets

Table Legs

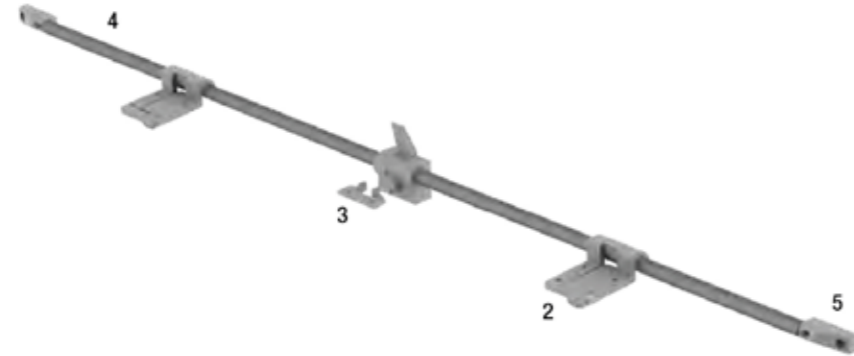
Water Tanks

Accessories

PIN

Sliding connection kit

- Provides a solid mount for attaching the table to the wall
- Sliding brackets easily adjust to any table width up to 950 mm
- Plastic and stainless steel construction for smooth operation
- Includes table attachment bracket, lock system, support bar and wall attachment bracket



Part #	#	Name	Description
2021107124	1	Pin	Table kit (includes all below parts)
2021111841	2	Pin Hang	Table attachment bracket
2021111853	3	Pin Lock	Lock system

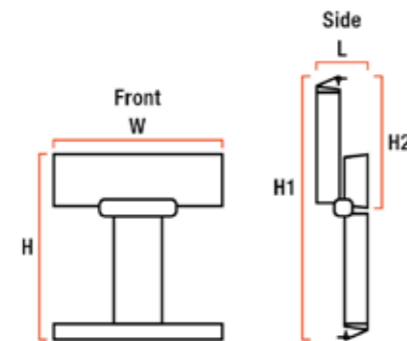
Part #	#	Name	Description
2021103847	4	Pin Rail	Support bar
2021107859	5	Pin Fix	Wall attachment bracket

UP-DOWN

Table lift support

- Pivoting bracket allows table to be positioned high or low as needed
- Extruded, anodized aluminum construction to be strong and lightweight
- Designed to install onto wall bracket (separately)

TABLE LEGS



Part #	± H	± H1	± H2	± W	± L
2021109958	190 mm	250 mm	208 mm	250 mm	78 mm

JOLLY

Table support

- Allows table to fold out as needed to fully optimize interior space



Allows table to fold out as needed



Collapsible, compact design stores quickly



Part #	Material	± H	± W
2021115710	Steel	330 mm	330 mm
2021115761	Steel	400 mm	400 mm
2021115695	Steel	230 mm	230 mm
2021107113	Plastic	210 mm	230 mm

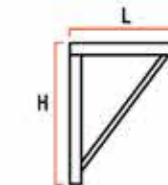


TABLE LEGS

- [LIPPERT](#)
- [Space on Demand](#)
- [Bike Carriers](#)
- [Windows & Roof Vents](#)
- [Doors & Service Doors](#)
- [Steps](#)
- [Blinds & Flyscreens](#)
- [Beds, Accessories & Ladders](#)
- [TV Brackets](#)
- [Table Legs](#)
- [Water Tanks](#)
- [Accessories](#)

FOCUS

Extendable table support

- Allows table to slide out as needed to fully optimize interior space
- Extends up to 1,300 mm
- Plastic and aluminum slide components for smooth operation



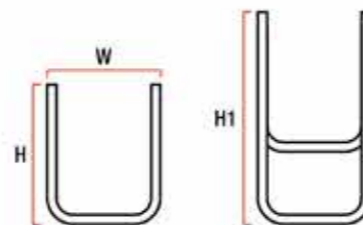
Allows table to slide out as needed



Smooth, sliding operation for delicate situations



Part #	↔ W	↔ W	↔ L	↔ L1
202118802	25 mm	580 mm	850 mm	1.300 mm



ASTRA

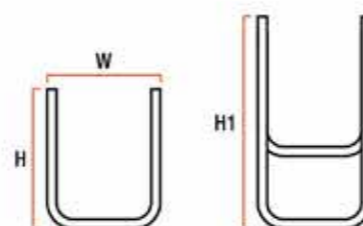
Extendable table support

- Allows table to slide out as needed to fully optimize interior space
- Extends up to 1,300 mm
- Plastic and aluminum slide components for smooth operation

TABLE LEGS



Part #	↔ W	↔ W	↔ L	↔ L1
202118874	35 mm	560 mm	850 mm	1.300 mm



SIMPLY

Table bracket

- Allows table to slide as needed to fully optimize interior space
- Steel and aluminum construction to be strong and lightweight
- Table leg not included
- Stroke along width is 128 mm
- Stroke along length is 455 mm



Easy-to-grip handle allows for quick easy adjustment

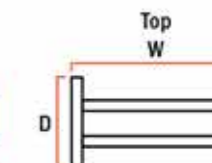


Steel and aluminum materials are strong and lightweight



Slides in two directions to provide maximum adjustability

Part #	↔ Width Adjustment Range	↔ Depth Adjustment Range
2021107029	420 mm run	300 mm run



TWIST

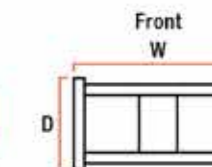
Sliding table top mechanism

- Allows table to rotate and slide as needed to fully optimize interior space
- Side sliders allow the table to extend
- Easy lever operation
- Compatible with Column, Cosmo, Galaxy, Rainbow, Universo, Planet and other table legs
- Plastic and aluminum slide components for smooth operation
- Table leg not included

TABLE LEGS



Part #	↔ Width Adjustment Range	↔ Depth Adjustment Range
2021103756	370 mm run	90 mm run





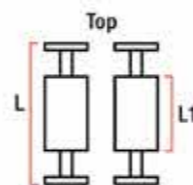
JIMMY

Sliding table support

- Supports foldout table extension to fully optimize interior space
- Plastic and aluminum slide components for smooth operation



Part #	←→ L (Adjustment Increments)	⊥ L1
202111833	180 mm / 220 mm / 250 mm / 300 mm / 350 mm / 400 mm	90 mm

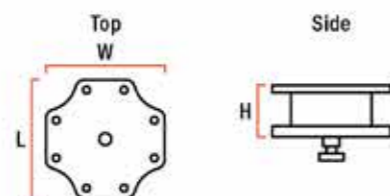


ROTO

Rotating table leg bracket

- Allows table to rotate on its leg to fully optimize interior space
- Locking knob keeps table in fixed position as desired
- Compatible with all Lippert table legs
- Steel construction for maximum strength
- Available for single or dual-leg configurations

TABLE LEGS



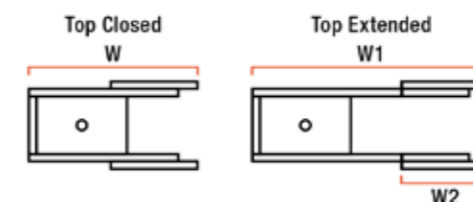
Part #	Supports	⊥ L	⊥ W	⊥ H
202112844	Single leg	140 mm	140 mm	38 mm
202112699	Double leg	140 mm	260 mm	38 mm

TIRETTE

Extendable table supports

Tirette 1

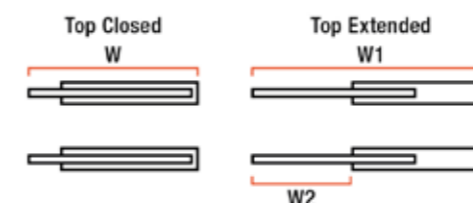
- Fixed mechanisms are 260 mm apart
- Allows table to extend out as needed to fully optimize interior space
- Steel construction for maximum strength



Part #	Name	⊥ W	⊥ W1	⊥ W2
2021107136	Tirette 1	630 mm	980 mm	350 mm

Tirette 2

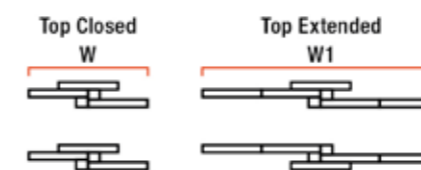
- Two separate mechanisms allows mounting for multiple widths of tables
- Allows table to extend out as needed to fully optimize interior space
- Steel construction for maximum strength



Part #	Name	⊥ W	⊥ W1	⊥ W2
2021103882	Tirette 2	630 mm	980 mm	350 mm

Tirette 4

- Dual-sided extension mechanism
- Allows table to extend out as needed to fully optimize interior space
- Extends up to 200mm to the right or left
- Coated steel construction for maximum strength
- Table top and leg not included



Part #	Name	⊥ W	⊥ W1
2021103873	Tirette 4	400 mm	800 mm

TABLE LEGS



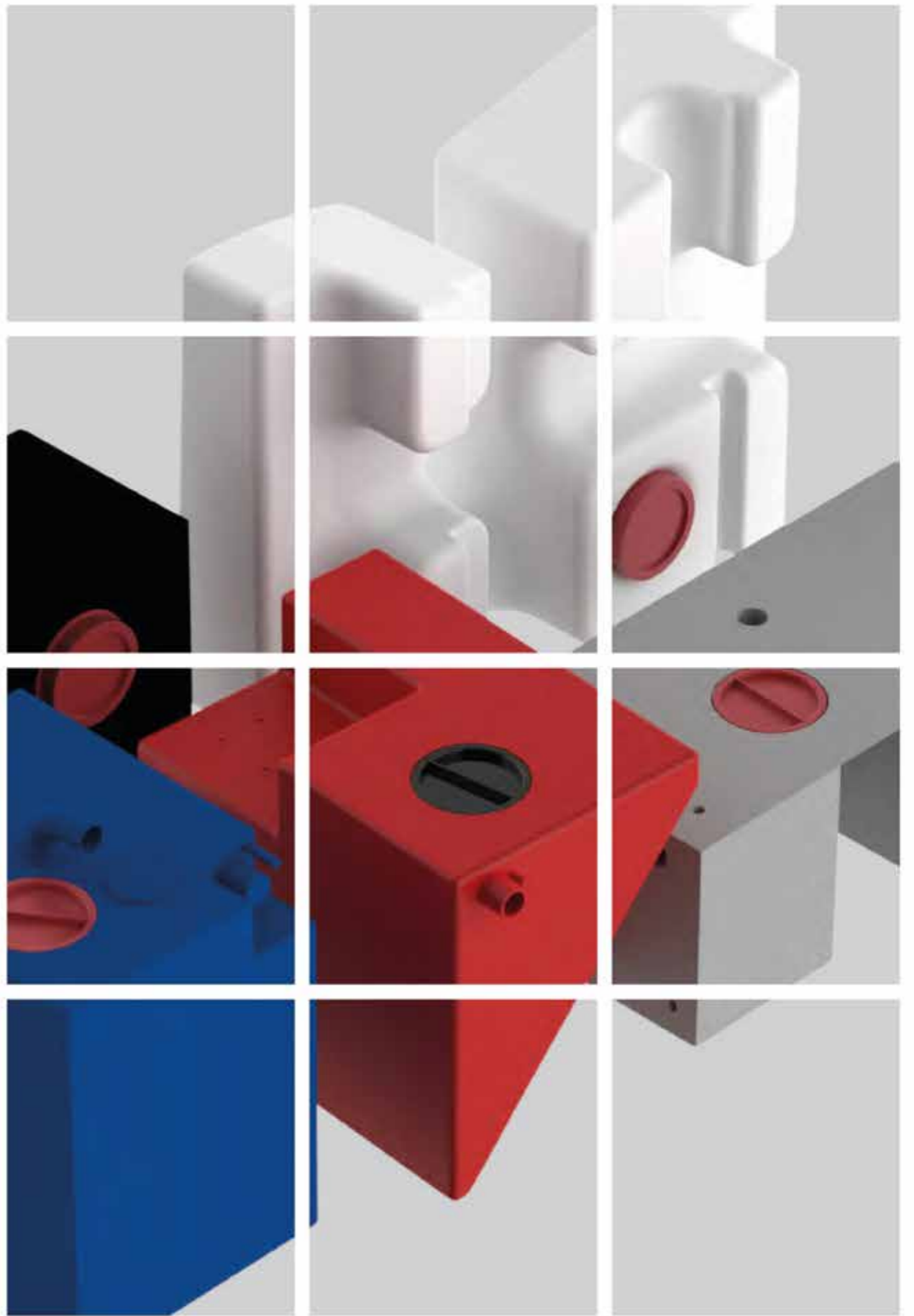
- [Space on Demand](#)
- [Bike Carriers](#)
- [Windows & Roof Vents](#)
- [Doors & Service Doors](#)
- [Steps](#)
- [Blinds & Flyscreens](#)
- [Beds, Accessories & Ladders](#)
- [TV Brackets](#)
- [Table Legs](#)
- [Water Tanks](#)
- [Accessories](#)



WATER TANKS

Lippert water tanks are available in a wide variety of shapes and sizes to provide an exact fit for your customer's campervan or caravan. They're constructed from high-quality plastic and are designed to integrate with the existing structure of the vehicle.

Whenever, wherever, we make your experience better.



WATER TANKS



WATER TANKS

- Constructed from tough polyethylene
- Compatible with all kinds of caravans and motorcaravans
- Installation hardware not included
- Available in black and white (other colors available on request)



[Space on Demand](#)

[Bike Carriers](#)

[Windows & Roof Vents](#)

[Doors & Service Doors](#)

[Steps](#)

[Blinds & Flyscreens](#)

[Beds, Accessories & Ladders](#)

[TV Brackets](#)

[Table Legs](#)

[Water Tanks](#)

[Accessories](#)

White#	Black #	Capacity (litres)	H (mm)	W (mm)	L (mm)
2021109351	2021109289	48	40	48	25
2021109280	2021109324	59	46	68	19
2021109333	2021109330	68	33	74	28
2021109353	2021109332	72	46	68	23
2021109352	2021115128	74	55	104	13
2021109404	2021115101	79	40	55	36
2021109430	2021115086	80	40	50	40
2021109313	2021109281	84	40	70	30
2021109348	2021109315	84	48	88	20
2021109478	2021118081	112	40	80	35
2021109320	2021109317	120	55	104	21
2021109346	2021115117	126	48	88	30
2021109306	2021109319	64	38	77	22
2021109420	2021103559	73	38	88	22
2021109431	2021115156	83	38	100	22
2021109472	2021118715	93	38	112	22
2021109373	2021109343	103	38	123	22
2021107120	2021115106	24	40	50	12
2021109455	2021115097	38	40	80	12
2021109288	2021109279	48	40	100	12
2021109296	2021109359	57	40	120	12
2021109378	2021115126	80	45	65	28
2021109283	2021109301	112	45	90	28
2021109382	2021118097	125	45	100	28
2021109309	2021109356	150	45	120	28
2021109405	2021115102	45	28	81	20
2021109354	2021109349	60	28	112	20
2021118152	2021109397	72	28	131	20
2021109305	2021109298	138	55	75	34
2021118154	2021109386	77	48	80	20
2021118177	2021109421	92	58	80	20
2021103581	2021109473	108	68	80	20
2021103611	2021109387	115	68	55	31
2021109383	2021115118	43	98	26	17
2021109355	2021109295	57	130	26	17
2021109284	2021109304	80	83	36	27

White#	Black #	Capacity (litres)	H (mm)	W (mm)	L (mm)
2021109398	2021115087	100	100	36	27
2021103612	2021109416	125	130	36	27
2021109456	2021115082	150	160	36	27
2021109406	2021115088	74	100	31	23
2021109327	2021109325	96	129	31	23
2021115098	2021109474	118	160	31	23
2021109291	2021109322	43	61	31	23
2021109287	2021109297	48	50	36	27
2021109371	2021109328	47	48	33	30
2021109417	2021115079	67	68	33	30
2021118098	2021109388	86	88	33	30
2021109379	2021118153	106	112	33	30
2021109334	2021109331	36	55	37	18
2021109285	2021109282	53	80	37	18
2021109358	2021109286	69	105	37	18
2021109399	2021118155	86	130	37	18
2021109384	2021118147	100	65	55	28
2021109380	2021118172	135	65	75	28
2021109389	2021118136	170	65	95	28
2021109418	2021115103	207	65	115	28
2021109300	2021109308	55	50	55	20
2021118156	2021109381	115	50	115	20
2021103526	2021103706	67	30	80	28
2021109376	2021115089	84	30	100	28
2021118132	2021118149	100	30	120	28
2021118137	2021118133	117	30	140	28
2021109550	2021118139	100	70	65	23
2021109338	2021103663	104	75	40	35
2021103527	2021103695	59	75	40	20
2021109323	2021109303	115	90	59	22
2021118130	2021118134	130	140	50	19
2021103561	2021118269	94	60	20	80
2021109575	2021118244	94	80	20	60
2021118235	2021103688	55	55	20	50
2021103543	2021118260	84	95	20	45
2021109560	2021103696	40	20	30	70

WATER TANK ACCESSORIES

Male Plug

- Fits all Lippert water tanks
- Made of durable nylon



Gasket

- Fits Lippert male (#2021103639) and female (#2021107147) plugs
- Made of neoprene



Female Plug

- Fits all Lippert water tanks
- Made of durable nylon



Expansion Plug

- Hinging lever expands rubber to plug tank



Part #	Description	H
2021103639	Male plug	125 mm
2021107147	Female plug	140 mm
2021107082	Gasket for #2021107147 / #2021103639	125 mm
2021103689	Expansion plug	22 mm



- [Space on Demand](#)
- [Bike Carriers](#)
- [Windows & Roof Vents](#)
- [Doors & Service Doors](#)
- [Steps](#)
- [Blinds & Flyscreens](#)
- [Beds, Accessories & Ladders](#)
- [TV Brackets](#)
- [Table Legs](#)
- [Water Tanks](#)
- [Accessories](#)



ACCESSORIES

Lippert offers a number of specialty accessories to maximize functionality on any caravan or campervan and truly turn it into a customized living space. Check out our propane and gas tank holders, furniture fittings and more.

Whenever, wherever, we make your experience better.

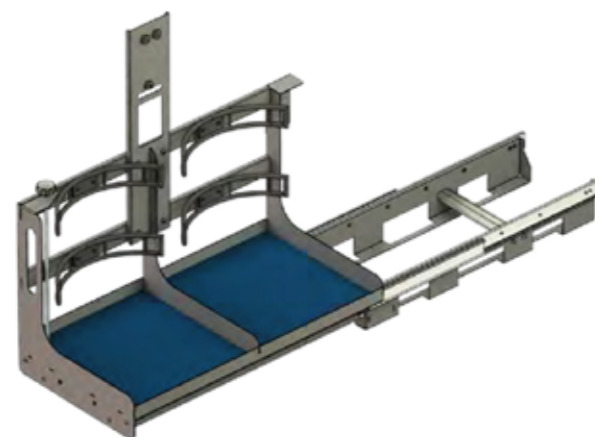


ACCESSORIES



PROPANE BOTTLE SUPPORT

- Holds two propane tanks up to 300 mm in diameter (15 kg max)
- Sliding rails for easy access and convenient storage
- Equipped with magnets and locking pin for stability during travel
- Mounts directly to the vehicle floor with self-tapping screws



Shown installed in cabinet (cabinet and bottles not included)

Part #	Weight	Capacity
2020348797	16,6 kg	40 kg

GAS BOTTLE HOLDER

- Fits 250 mm and 310 mm bottles
- Installs in the gas bottle locker
- Compatible with the propane bottle support

Part #	Width
2021115151	310 mm
2021107148	250 mm



GAS BOTTLE SPACER

- Creates space between gas bottles
- Made of durable plastic
- Compatible with gas bottle holders

Part #	Height
2021107415	10 mm



PORTHOLE TOWEL HOLDER

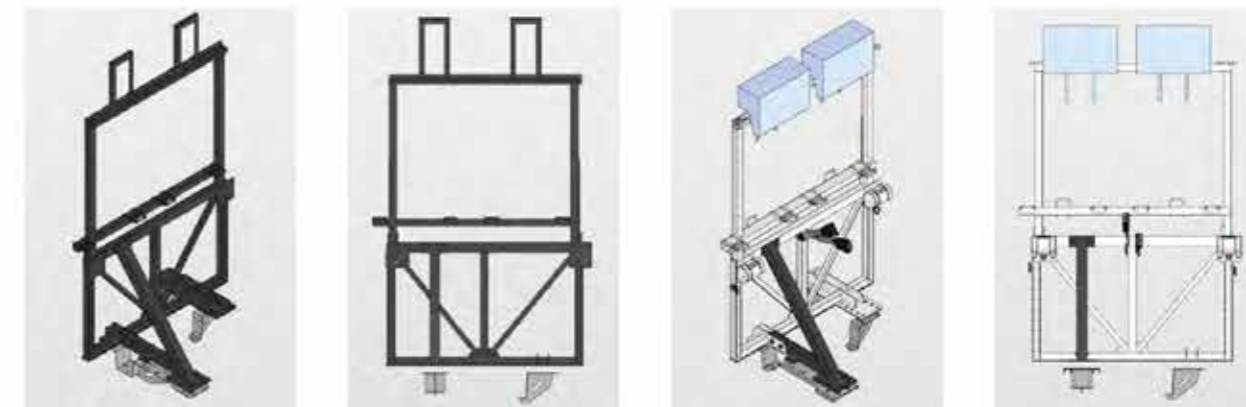
- Steel construction with a durable chrome finish
- Installation hardware not included

Part #	W	H
2021103669	430 mm	205 mm



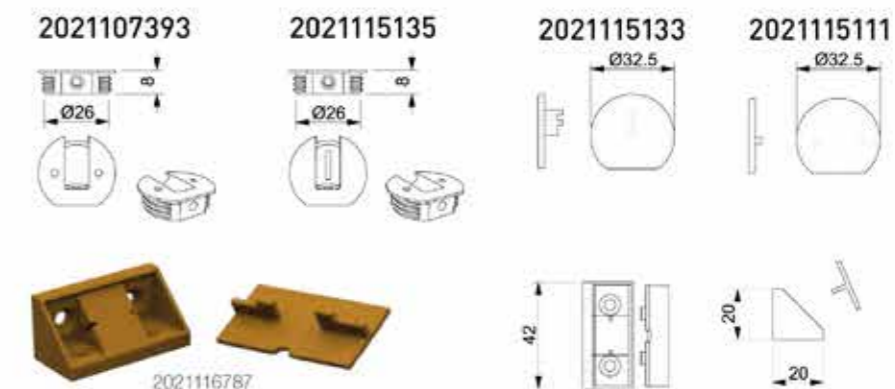
SEAT BELT FRAMES

- Seat bench for use in the dinette area, equipped with two safety belts kits and two isofix standard fixing systems.
- Available with a fixed or adjustable headrest



FURNITURE FITTINGS

- Constructed of durable plastic
- Finish is beige brown



Part #	Name	Shape	Height	Width	Depth
2021107393	FIX1PIN	Round	26 mm	26 mm	8 mm
2021115135	FIX2PIN	Round	26 mm	26 mm	8 mm
2021115133	FIX1PIN	Round	32,5 mm	32,5 mm	--
2021115111	FIX2PIN Cover	Round	32,5 mm	32,5 mm	--
2021116787	Fitting for Furniture	Edge	20 mm	42 mm	20 mm

STABILIZING JACK

- Galvanized steel construction to be strong and corrosion-resistant

Part #	Retracted Height	Extended Height
2021116048	290 mm	450 mm
2021116017	390 mm	550 mm



ACCESSORIES

ACCESSORIES