

## Yolculuk Bizimle Başlar!

DOMETIC Whale

BABARVY ALKO Eberspächer

LIPPERT Truma indelB

THULE SWEDEN victron energy BLUE POWER

SOLARA CBE Fischer Panda

THETFORD ARANA

COMET SMART • EQUIPMENT • SOLUTIONS ACRYFORM PLASTOFORM autoterm

POLYPLASTIC Linetech ECOFLOW Bio

ABL SANJO ilse REICH jokon Competence in Lighting

FIAMMA EP Kampa



Markalar üzerine tıklayarak ilgili kataloğa ulaşabilirsiniz.

AWNINGS

Live in the open air comfortably



- [Awnings](#)
- [Panels and Enclosures](#)
- [Bike Carriers](#)
- [Motorhome](#)
- [Caravan](#)
- [Campervan](#)
- [Van Conversion](#)
- [SUV](#)
- [Garage](#)
- [Accessories](#)
- [Rear Boxes](#)
- [Comfort](#)
- [Rooflights](#)
- [Lighting](#)
- [Water](#)
- [Level Systems](#)
- [Organisation](#)
- [Safety](#)
- [Ladders](#)
- [Hygiene](#)
- [Vehicle Covers](#)
- [Miscellaneous](#)

## Selection guide

How to choose the right awning for you? Here are some practical tips to help you make the right choice.

- Check if there are dedicated Fiamma solutions for your vehicle (Ducato, VW T5 & T6, PSA)
- Choose the awning according to your vehicle, its characteristics and your needs
- Check the usable space available for mounting the awning (wall or roof)
- Choose the bracket for your vehicle (you can find them in the special section of the catalogue from page 178)



**F45s**

Installation:

wall installation

Vehicle:



Length:

190-450

Motor:

optional motor

Case box finishes:



**F45L**

wall installation



450-500

optional motor



**F45eagle**

wall installation



350-450

motorised



**Compass**

wall installation



220-260

-



**Slide Out**

wall installation



170-280

-





## AWNINGS

## ROOF INSTALLATION - ON RAIL



### F80s

roof installation



290-450

optional motor



### F80L

roof installation



450-600

-



### F65eagle

roof installation



319-400

motorised



### F40van

roof installation



270

-



### Caravanstore / XL

rail mounting



190-550

-



### F35pro

wall / roof / rail



180-300

-



FIAMMASTORE

CARRY-BIKE

COMFORT

INFO



- [Awnings](#)
- [Panels and Enclosures](#)
- [Bike Carriers](#)
- [Motorhome](#)
- [Caravan](#)
- [Campervan](#)
- [Van Conversion](#)
- [SUV](#)
- [Garage](#)
- [Accessories](#)
- [Rear Boxes](#)
- [Comfort](#)
- [Rooflights](#)
- [Lighting](#)
- [Water](#)
- [Level Systems](#)
- [Organisation](#)
- [Safety](#)
- [Ladders](#)
- [Hygiene](#)
- [Vehicle Covers](#)
- [Miscellaneous](#)

## AWNINGS

## WALL INSTALLATION

### F45s

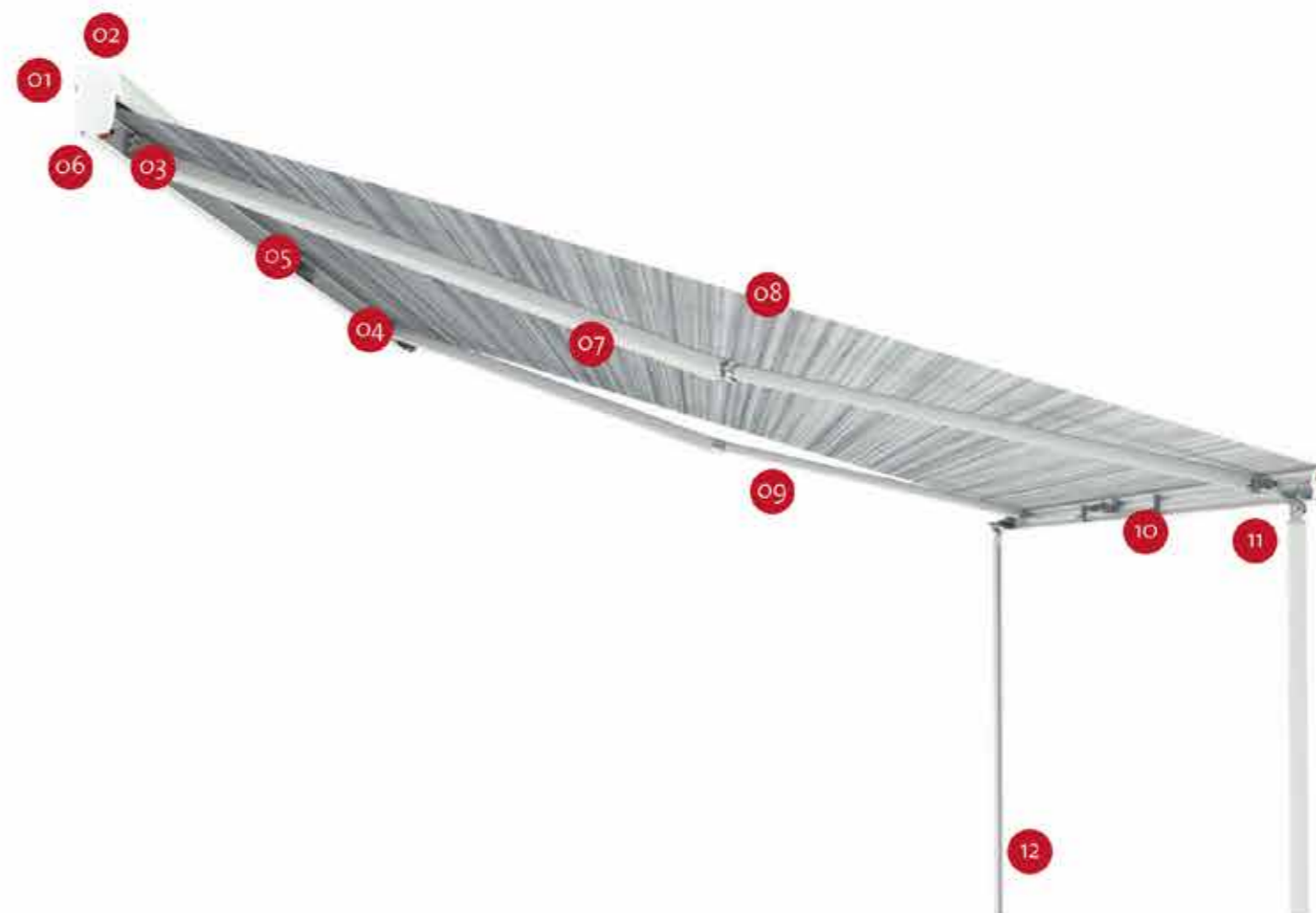
SUITABLE FOR MOTORHOMES, CARAVANS, VAN CONVERSIONS AND CAMPERVANS



The original wall-mounted awning, practical, robust, functional and versatile, it is the best value for money.

#### FEATURES:

- Winch awnings for wall installation with practical visible loop
- Standard brackets included. 100 types of brackets are optionally available
- Length from 190 to 450
- Optional electric motor (page 39)
- Lightweight



**01 Visible loop**  
For maximum ease of use

**02 Brackets**  
To find brackets and adapters for every type of vehicle (p. 180)

**03 Presto Fix**  
Guarantees perfect closure of the lead bar over time

**04 Dual Shock-Absorber**  
Absorbs shocks in case of heavy stress

**05 Roller support**  
Facilitates the rolling up of the fabric

**06 Dual Security**  
Indicator for correct closure of the lead bar

**07 Reinforced arms**  
Keep the fabric tensioned

**08 One Way Roll**  
Guide the rolling direction of the fabric

**09 LEDs**  
The cable ducts on the arms allow the passage of cables for the optional Fiamma LED kits (page 126)

**10 Double guide**  
To install a front panel or Privacy and other accessories

**11 Telescopic Leg**  
Equipped with a reinforced joint

**12 Secure Lock**  
Adjusts the height of the lead bar



FIAMMASTORE

CARRY-BIKE

COMFORT

INFO



### MODELS AND DIMENSIONS

Model	Extension	Weight
F45s		
190	1,00 m	11,5 kg
230	1,50 m	16,5 kg
260	2,00 m	19,5 kg
300		23,0 kg
325 - [New]		24,0 kg
350		25,0 kg
375	2,50 m	26,0 kg
400		27,0 kg
425		28,2 kg
450		29,5 kg

### CASE BOX

- Polar White
- Titanium
- Deep Black

### FABRIC

- Royal Grey
- Royal Blue
- Sahara
- Evergreen
- Bordeaux



## F45s campervan

SUITABLE FOR CAMPERVANS



These special versions of our F45 awning are complete with an installation kit and are suitable for many types of minivan:

- VW T5 / T6 / T6.1

- PSA group

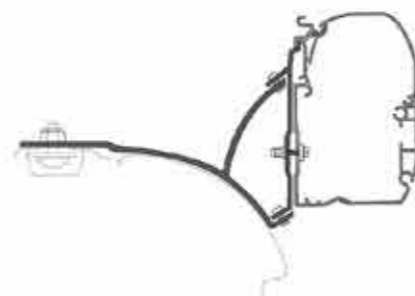
VW version also suitable for short and long wheelbase multivan (Volkswagen transporter with C-rail) and California. PSA version also for lift roof models.

### FEATURES:

- Winch awnings for wall installation with practical visible loop
- Specific brackets included
- Lengths 260 and 300 (only for VW T5/T6)
- Optional electric motor (page 39)



### CHOOSE THE AWNING ACCORDING TO YOUR VEHICLE



F45s VW T5/T6



C rail Volkswagen

Model		Short wheelbase	Long wheelbase
VW T5/T6 without C rail	Awning	F45s 260 standard **	-
	Adapter	optional ***	-
VW T5/T6 with C rail	Awning	F45s 260 VW T5/T6 *	F45s 300 VW T5/T6 *
	Adapter	included in the awning	included in the awning
VW T5/T6 California	Awning	F45s 260 VW T5/T6 *	-
	Adapter	included in the awning	-
VW T5/T6 with Multirail Reimo	Awning	F45s 260 standard **	-
	Adapter	optional ***	-
VW T5/T6 with Top-rail Brandrup	Awning	F45s 260 standard **	-
	Adapter	optional ***	-

\* F45s 260 / 300 VW T5 / T6 complete with installation kit dedicated to VW vans

\*\* see p. 12

\*\*\* see p. 186

### CHOOSE THE AWNING ACCORDING TO YOUR VEHICLE



F45s PSA

Brand	Model	Year	Height - H1	Vehicle length	F45s PSA
Citroën	Jumpy III	> 2016	1895 mm	4959 mm	F45s PSA complete with installation kit dedicated to PSA group camper vans
	Spacetourer		1890 mm	4956 mm	
Opel / Vauxhall	Vivaro C	> 2019	1881/1940 mm	4959 mm	
	Zafira Life		1890/1930 mm	4956 mm	
Peugeot	Expert III	> 2016	1881/1940 mm	4959 mm	
	Traveller		1881/1980 mm		
Toyota	Proace II	> 2016	1899/1940 mm	4959 mm	
	Proace Verso		1899 mm		



- [Awnings](#)
- [Panels and Enclosures](#)
- [Bike Carriers](#)
- [Motorhome](#)
- [Caravan](#)
- [Campervan](#)
- [Van Conversion](#)
- [SUV](#)
- [Garage](#)
- [Accessories](#)
- [Rear Boxes](#)
- [Comfort](#)
- [Rooflights](#)
- [Lighting](#)
- [Water](#)
- [Level Systems](#)
- [Organisation](#)
- [Safety](#)
- [Ladders](#)
- [Hygiene](#)
- [Vehicle Covers](#)
- [Miscellaneous](#)

## AWNINGS

## WALL INSTALLATION

Technical and commercial information on p. 161

<b>CASE BOX</b>	<b>FABRIC</b>
<input type="checkbox"/> Polar White	<input type="checkbox"/> Royal Grey
<input type="checkbox"/> Titanium	
<input type="checkbox"/> Deep Black	

F45s VW T5/T6	Extension	Weight
260	2,00 m	19,5 kg
300		22,0 kg

Technical and commercial information on p. 161

<b>CASE BOX</b>	<b>FABRIC</b>
<input type="checkbox"/> Polar White	<input type="checkbox"/> Royal Grey
<input type="checkbox"/> Deep Black	

F45s PSA	Extension	Weight
260	2,00 m	19,5 kg



FIAMMASTORE  
CARRY BIKE  
COMFORT  
INFO





## AWNINGS

## WALL INSTALLATION

### F45L

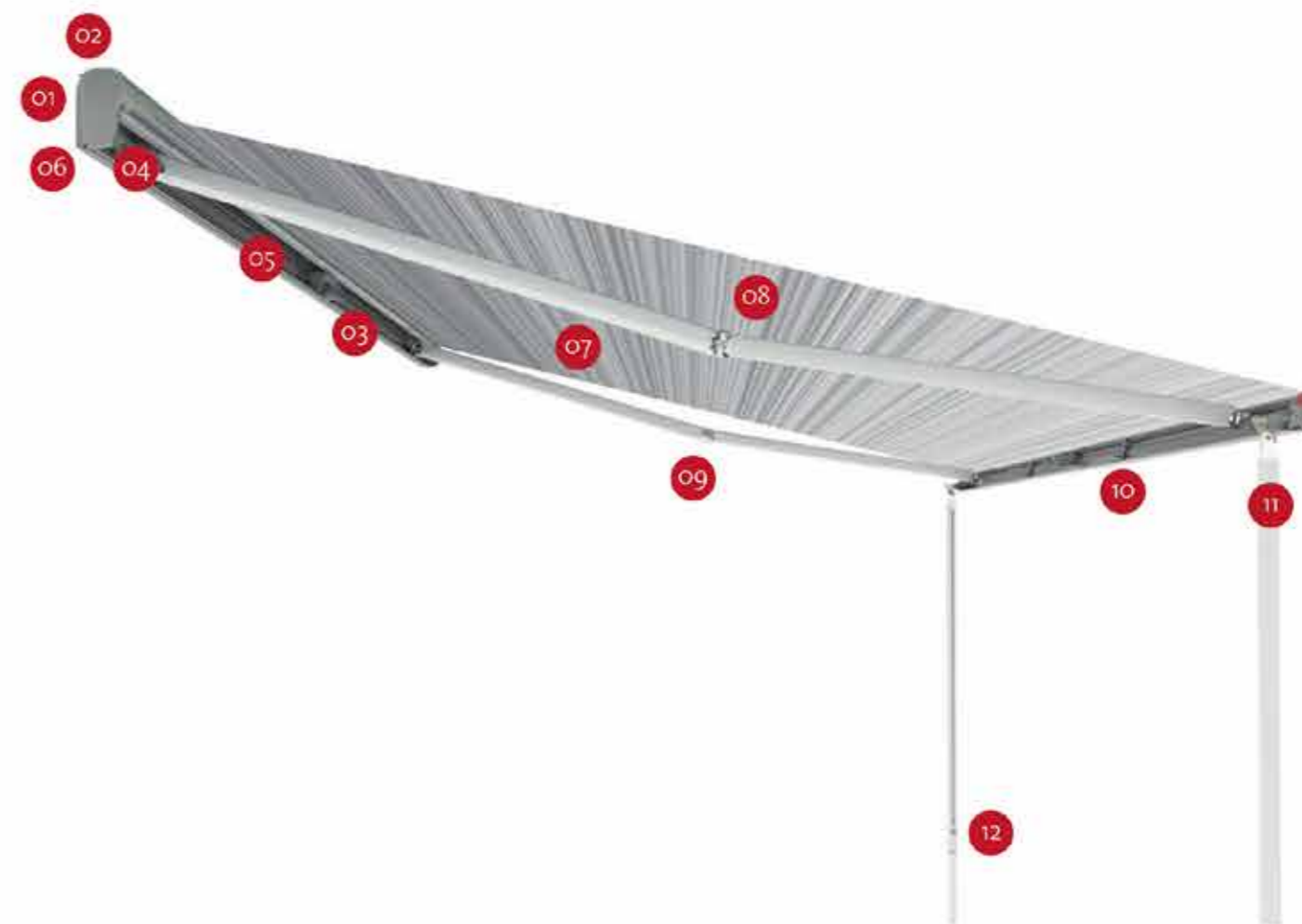
SUITABLE FOR MOTORHOMES AND VAN CONVERSIONS



This special wall-mounted awning with oversized components and an extra-large roller is suitable for large vehicles and therefore provides a large area of shade for the whole family.

#### FEATURES:

- Winch awnings for wall installation with practical visible loop
- Standard brackets included. 100 types of brackets are optionally available
- Length from 450 to 550
- Optional electric motor (page 38)



**01 Visible loop**  
For maximum ease of use

**02 Brackets**  
To find brackets and adapters for every type of vehicle (p. 180)

**03 Presto Fix**  
Guarantees perfect closure of the lead bar over time

**04 Dual Shock-Absorber**  
Absorbs shocks in case of heavy stress

**05 Roller support**  
Facilitates the rolling up of the fabric

**06 Dual Security**  
Indicator for correct closure of the lead bar

**07 Reinforced arms**  
Keep the fabric tensioned

**08 One Way Roll**  
Guide the rolling direction of the fabric

**09 LEDs**  
The cable ducts on the arms allow the passage of cables for the optional Fiamma LED kits (page 126)

**10 Double guide**  
To install a front panel or Privacy and other accessories

**11 Telescopic Leg**  
Equipped with a reinforced joint

**12 Secure Lock**  
Adjusts the height of the lead bar



FIAMMASTORE

CARRY-BIKE

COMFORT

INFO

- [Awnings](#)
- [Panels and Enclosures](#)
- [Bike Carriers](#)
- [Motorhome](#)
- [Caravan](#)
- [Campervan](#)
- [Van Conversion](#)
- [SUV](#)
- [Garage](#)
- [Accessories](#)
- [Rear Boxes](#)
- [Comfort](#)
- [Rooflights](#)
- [Lighting](#)
- [Water](#)
- [Level Systems](#)
- [Organisation](#)
- [Safety](#)
- [Ladders](#)
- [Hygiene](#)
- [Vehicle Covers](#)
- [Miscellaneous](#)

**MODELS AND DIMENSIONS**

Length	Extension	Weight
450		39,0 kg
500	2,50 m	42,5 kg
550		46,5 kg

**CASE BOX**

	Polar White
	Titanium

**FABRIC**

	Royal Grey		Evergreen
	Royal Blue		Bordeaux
	Sahara		



## F45eagle

SUITABLE FOR MOTORHOMES



Automatic motorised awning, without support legs, with self-supporting arms. Motorised with new compact motor characterised by smaller size, simple construction, reliability and excellent performance; new restyling of the aerodynamically improved covers. Operated using the wall-mounted Control System.

### FEATURES:

- Motorised
- Self-supporting arms
- Length: from 350 to 450
- Standard adapter included



**01 Brackets**  
Full length adapter supplied as standard

**02 Presto Fix**  
Guarantees perfect closure of the lead bar over time

**03 Roller support**  
Facilitates the rolling up of the fabric

**04 12V motor included**  
To operate the awning in one easy step

**05 Reinforced arms**  
Keep the fabric tensioned

**06 One Way Roll**  
Guide the rolling direction of the fabric

**07 Double guide**  
To install a front panel or Privacy and other accessories

**08 Wind Detection System**  
Sensor that is automatically activated and closes the awning in case of strong wind

**09 LEDs**  
The cable ducts on the arms allow the passage of cables for the optional Fiamma LED kits (page 126)

**10 Double Block support**  
Allows the regulation of the inclination from 5° to 17° and reinforces the self-supporting arms, thus avoiding the use of support legs



FIAMMASTORE

CARRY-BIKE

COMFORT

INFO



MODELS AND DIMENSIONS		
Length	Extension	Weight
350 [Improved]		33,5 kg
400 [Improved]	2,50 m	36,5 kg
450 [Improved]		39,5 kg

CASE BOX	
	Polar White

FABRIC	
	Royal Grey

- [Awnings](#)
- [Panels and Enclosures](#)
- [Bike Carriers](#)
- [Motorhome](#)
- [Caravan](#)
- [Campervan](#)
- [Van Conversion](#)
- [SUV](#)
- [Garage](#)
- [Accessories](#)
- [Rear Boxes](#)
- [Comfort](#)
- [Rooflights](#)
- [Lighting](#)
- [Water](#)
- [Level Systems](#)
- [Organisation](#)
- [Safety](#)
- [Ladders](#)
- [Hygiene](#)
- [Vehicle Covers](#)
- [Miscellaneous](#)

## SlideOut

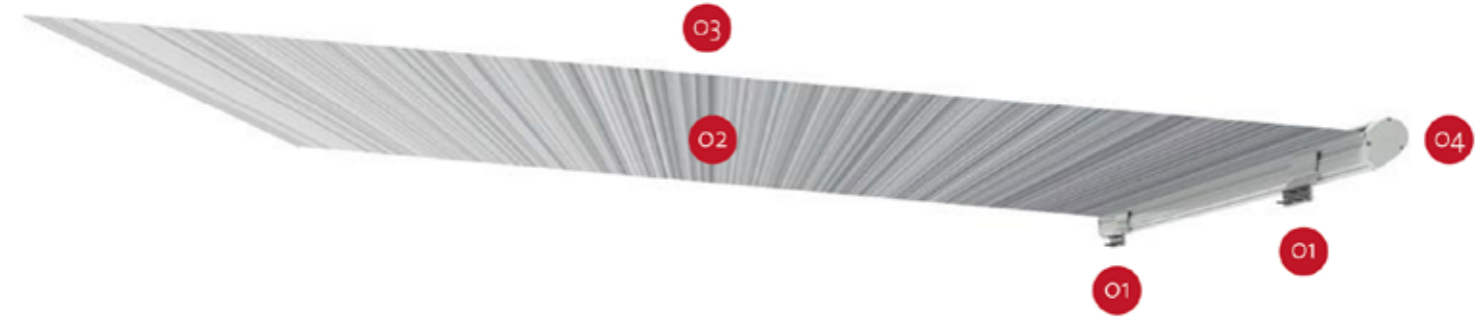
SUITABLE FOR MOTORHOMES



SlideOut is the perfect awning for vehicles with extendable rear or side walls: it protects them from the sun and shields them from the effects of the weather. It extends up to one metre and rolls up automatically.

**FEATURES:**

- Standard brackets included
- Available in three lengths: 170, 200 and 280



**01 Brackets**  
Standard equipment

**02 Fabric extension**  
Automatic, up to one metre

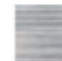
**03 Protecting**  
To protect your vehicle from the damaging effects of sun and weather

**04 Pre-loaded internal spring**  
To facilitate winding and extension



MODELS AND DIMENSIONS		
SlideOut	Extension	Weight
170		6,3 kg
200	1,00 m	7,3 kg
280		10, kg

CASE BOX	
	Polar White
	Deep Black

FABRIC	
	Royal Grey



- [Awnings](#)
- [Panels and Enclosures](#)
- [Bike Carriers](#)
- [Motorhome](#)
- [Caravan](#)
- [Campervan](#)
- [Van Conversion](#)
- [SUV](#)
- [Garage](#)
- [Accessories](#)
- [Rear Boxes](#)
- [Comfort](#)
- [Rooflights](#)
- [Lighting](#)
- [Water](#)
- [Level Systems](#)
- [Organisation](#)
- [Safety](#)
- [Ladders](#)
- [Hygiene](#)
- [Vehicle Covers](#)
- [Miscellaneous](#)

AWNINGS

ROOF INSTALLATION

F80s

SUITABLE FOR MOTORHOMES, CARAVANS AND VAN CONVERSIONS



The strengths of this awning are the triple guide on the front and the double LED arrangement. Elegant and minimalist in design, it blends in perfectly with the vehicle's silhouette.

FEATURES:

- Winch awnings for roof installation with practical visible loop
- More than 70 types of dedicated brackets available (p.188)
- Length from 290 to 450
- Optional electric motor (page 38)



01 Visible loop  
For maximum ease of use

02 Brackets  
Find brackets and adapters for every type of vehicle (p.188)

03 Dual Shock-Absorber  
Absorbs shocks in case of heavy stress

04 Roller support  
Facilitates the rolling up of the fabric

05 Secure Lock  
Adjusts the height of the lead bar

06 Reinforced arms  
Keep the fabric tensioned

07 One Way Roll  
Guide the rolling direction of the fabric

08 Double LED preparation  
Front and case box, LED light visible even when the awning is closed

09 Triple guide  
To install a front panel or Privacy and other accessories

10 Telescopic Leg  
Equipped with a reinforced joint



MODELS AND DIMENSIONS		
F80s	Extension	Weight
290	2,00 m	27,0 kg
320		29,0 kg
340		30,0 kg
370		32,0 kg
400	2,50 m	34,0 kg
425		35,0 kg
450		36,5 kg

CASE BOX	
	Polar White
	Titanium
	Deep Black

FABRIC	
	Royal Grey
	Royal Blue





## F80s Ducato new 2022

SUITABLE FOR VAN CONVERSIONS



Specific version of awning F80s for Ducato in lengths 320 and 370 with Deep Black finish, complete with brackets and gasket.

### FEATURES:

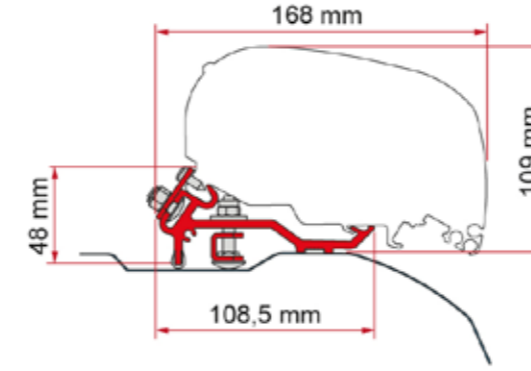
- Winch awnings for roof installation with practical visible loop
- Deep Black finish
- Bracket with black finish - Kit Ducato / Citroën Jumper / Peugeot Boxer - Low Profile  $\geq 2006$  - H2 - L2/L3
- Black gasket to protect against water
- Length 320 and 370
- Optional electric motor (page 38)



F80s



### COMPATIBLE VEHICLES



Brand	Model	Year	Height - H2	Vehicle Length - L2	Vehicle Length - L3
Fiat	Ducato III-IV series				
Citroën	Jumper II-III series	$\geq 2006$	2524 mm	5413 mm	5998 mm
Peugeot	Boxer II-III series				

### MODELS AND DIMENSIONS

F80s	Extension	Weight
320 <span style="color: red;">[New]</span>	250 cm	29,0 kg
370 <span style="color: red;">[New]</span>		32,0 kg

### CASE BOX

Deep Black

### FABRIC

Royal Grey



- [Awnings](#)
- [Panels and Enclosures](#)
- [Bike Carriers](#)
- [Motorhome](#)
- [Caravan](#)
- [Campervan](#)
- [Van Conversion](#)
- [SUV](#)
- [Garage](#)
- [Accessories](#)
- [Rear Boxes](#)
- [Comfort](#)
- [Rooflights](#)
- [Lighting](#)
- [Water](#)
- [Level Systems](#)
- [Organisation](#)
- [Safety](#)
- [Ladders](#)
- [Hygiene](#)
- [Vehicle Covers](#)
- [Miscellaneous](#)



## AWNINGS

## ROOF INSTALLATION

### F80L new 2022

SUITABLE FOR MOTORHOMES, CARAVANS



The new roof winch awning F80L, particularly suitable for large vehicles, has the aesthetics of the F80s creating a family feeling with the Fiamma roof awnings.

#### FEATURES:

- Winch awnings for roof installation with practical visible loop
- Several types of dedicated brackets are available as options (p. 188)
- Length from 450 to 600
- Extension 275 cm



- |  |   |   |
|--|---|---|
| <p><b>01 Visible loop</b><br/>For maximum ease of use</p>  | <p><b>02 Brackets</b><br/>Find brackets and adapters for every type of vehicle (p. 188)</p> | <p><b>03 Strong structure</b><br/>To guarantee solidity with 275 cm extension</p>           |
| <p><b>04 Rain Guard</b><br/>Hermetic seal supplied as standard</p>   | <p><b>05 Side Caps and Cover</b><br/>Plastic side caps, painted aluminium cover</p>         | <p><b>06 Dual Shock-Absorber</b><br/>Absorbs shocks in case of heavy stress</p>             |
| <p><b>08 Double LED preparation</b><br/>Front and case box, LED light visible even when the awning is closed</p> | <p><b>09 Secure Lock</b><br/>Adjusts the height of the lead bar</p>                         | <p><b>10 Triple guide</b><br/>To install a front panel or Privacy and other accessories</p> |
|  |   | <p><b>07 Roller support</b><br/>Facilitates the rolling up of the fabric</p>                |
|  |   | <p><b>11 Arms</b><br/>Enlarged section for greater strength and extension to 275 cm</p>     |

- [Awnings](#)
- [Panels and Enclosures](#)
- [Bike Carriers](#)
- [Motorhome](#)
- [Caravan](#)
- [Campervan](#)
- [Van Conversion](#)
- [SUV](#)
- [Garage](#)
- [Accessories](#)
- [Rear Boxes](#)
- [Comfort](#)
- [Rooflights](#)
- [Lighting](#)
- [Water](#)
- [Level Systems](#)
- [Organisation](#)
- [Safety](#)
- [Ladders](#)
- [Hygiene](#)
- [Vehicle Covers](#)
- [Miscellaneous](#)



FIAMMA STORE

CARRY-BIKE

COMFORT

INFO



MODELS AND DIMENSIONS		
F80L	Extension	Weight
450 [New]	2,75 m	43,8 kg
500 [New]		46,5 kg
550 [New]		50,0 kg
600 [New]		54,5 kg

CASE BOX	
	Polar White
	Titanium
	Deep Black

FABRIC	
	Royal Grey
	Royal Blue

Adapters



- [Awnings](#)
- [Panels and Enclosures](#)
- [Bike Carriers](#)
- [Motorhome](#)
- [Caravan](#)
- [Campervan](#)
- [Van Conversion](#)
- [SUV](#)
- [Garage](#)
- [Accessories](#)
- [Rear Boxes](#)
- [Comfort](#)
- [Rooflights](#)
- [Lighting](#)
- [Water](#)
- [Level Systems](#)
- [Organisation](#)
- [Safety](#)
- [Ladders](#)
- [Hygiene](#)
- [Vehicle Covers](#)
- [Miscellaneous](#)

## F65eagle

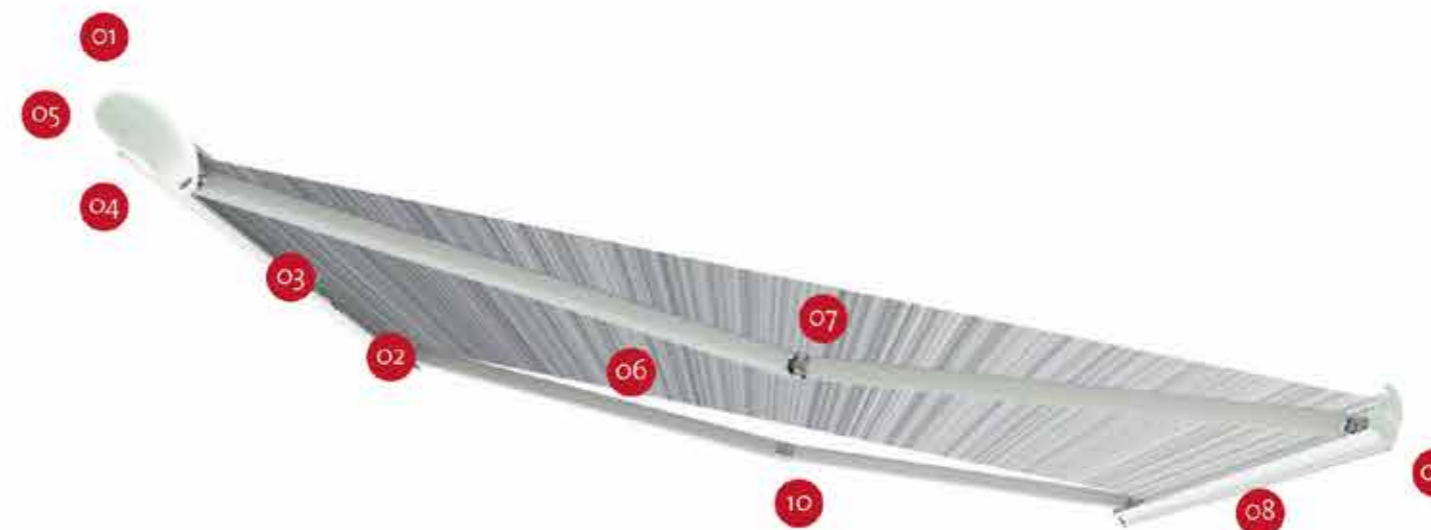
SUITABLE FOR MOTORHOMES VAN CONVERSIONS



Automatic motorised awning, without support legs, with self-supporting arms. Motorised with new compact motor characterised by smaller size, simple construction, reliability and excellent performance. Roof-mounted and operated using the wall-mounted Control System.

### FEATURES:

- Motorised
- Self-supporting arms
- Brackets included for Ducato version, optional for 400 standard version (p. 188 and 193)
- Length: from 319 to 400



**01 Brackets**  
To find brackets and adapters for the standard version (400 cm) (p. 188 and 193)

**02 Presto Fix**  
Guarantees perfect closure of the lead bar over time

**03 Roller support**  
Facilitates the rolling up of the fabric

**04 Double Block support**  
Allows the regulation of the inclination from 5° to 17° and reinforces the self-supporting arms, thus avoiding the use of support legs

**05 12V motor included**  
To operate the awning in one easy step

**06 Reinforced arms**  
Keep the fabric tensioned

**07 One Way Roll**  
Guide the rolling direction of the fabric

**08 Double guide**  
To install a front panel or Privacy and other accessories

**09 Wind Detection System**  
Sensor that is automatically activated and closes the awning in case of strong wind

**10 LEDs**  
The cable ducts on the arms allow the passage of cables for the optional Fiamma LED kits (page 126)



MODELS AND DIMENSIONS		
F65eagle	Extension	Weight
319 [Improved]	2,50 m	30,0 kg
369 [Improved]		34,0 kg
399 [Improved]		37,0 kg
400 [Improved]		37,5 kg

CASE BOX	
	Polar White
	Titanium

FABRIC	
	Royal Grey

Adapters



AWNINGS

ROOF INSTALLATION

## F40van

SUITABLE FOR CAMPERVANS



Thanks to its small footprint and integrated brackets, it integrates perfectly into the vehicle and is quick and easy to remove.

**FEATURES:**

- Winch awnings for roof installation with practical visible loop
- Several types of dedicated brackets are available as options (p. 193)
- Maximum leg height of 220 cm makes maximum use of the awning height
- Not suitable for vehicles with lift roof
- Length 270



**01 Visible loop**  
For maximum ease of use

**02 Brackets**  
Find brackets and adapters for every type of vehicle (p. 193)

**03 Arms**  
Reinforced and with reduced section

**04 One Way Roll**  
Guide the rolling direction of the fabric

**05 Double guide**  
To install a front panel or Privacy and other accessories

**06 Legs**  
With predefined position for fast and precise opening



FIAMMASTORE

CARRY-BIKE

COMFORT

INFO



MODELS AND DIMENSIONS		
F40van	Extension	Weight
270	2,25 m	19,0 kg

CASE BOX	
	Deep Black

FABRIC	
	Royal Grey

F40van



Adapters



- [Awnings](#)
- [Panels and Enclosures](#)
- [Bike Carriers](#)
- [Motorhome](#)
- [Caravan](#)
- [Campervan](#)
- [Van Conversion](#)
- [SUV](#)
- [Garage](#)
- [Accessories](#)
- [Rear Boxes](#)
- [Comfort](#)
- [Rooflights](#)
- [Lighting](#)
- [Water](#)
- [Level Systems](#)
- [Organisation](#)
- [Safety](#)
- [Ladders](#)
- [Hygiene](#)
- [Vehicle Covers](#)
- [Miscellaneous](#)



AWNINGS

RAIL INSTALLATION

## CaravanStore / XL

SUITABLE FOR CARAVANS



Manual awning for caravans very easy to install: only 45 seconds to open it completely! Legs and rafters are quick and easy to remove as they are integrated into the patented roller, which rolls and unrolls easily, without creasing.

**FEATURES:**

- Manual opening
- Installation on rail
- Length from 190 to 550



**01 Installation**  
On rail: fast, quick and easy

**02 Bag**  
Comfortable and soft anti-scratch tape

**03 Easy regulation**  
Arm adjustment system with different fabric extension positions

**04 Integrated legs**  
Stored in the roller, telescopic and easy to take out

**05 Vehicle wall protection**  
All parts in contact with the vehicle are fitted with a rubber protection kit

**06 Double guide**  
To install a front panel or Privacy and other accessories

**07 Roller**  
Rolling up of the fabric in both directions

**08 LED**  
To light up your evenings (p. 126)

- [Awnings](#)
- [Panels and Enclosures](#)
- [Bike Carriers](#)
- [Motorhome](#)
- [Caravan](#)
- [Campervan](#)
- [Van Conversion](#)
- [SUV](#)
- [Garage](#)
- [Accessories](#)
- [Rear Boxes](#)
- [Comfort](#)
- [Rooflights](#)
- [Lighting](#)
- [Water](#)
- [Level Systems](#)
- [Organisation](#)
- [Safety](#)
- [Ladders](#)
- [Hygiene](#)
- [Vehicle Covers](#)
- [Miscellaneous](#)



FIAMMASTORE

CARRY-BIKE

COMFORT

INFO



### MODELS AND DIMENSIONS

CaravanStore /XL	Extension	Weight
190	1,80 m	6,0 kg
225	2,25 m	7,5 kg
255		8,5 kg
280		10,1 kg
310		11,2 kg
360	2,50 m	12,3 kg
410		13,5 kg
440		14,6 kg
500		15,8 kg
550		16,9 kg

### BAG

- Grey
- Black

### FABRIC

- Royal Grey
- Royal Blue

CaravanStore / XL



Adapters



AWNINGS

RAIL INSTALLATION

## F35pro

SUITABLE FOR CARAVANS, CAMPERVANS AND SUV



Lightweight but very strong, this aluminium awning with legs and rafters integrated into the roller is ideal if you want to go on an adventure in your minivan, 4x4, SUV or caravan.

FEATURES:

- Manual opening
- Easy installation on the wall, on roof bars or rail
- Wide range of brackets to fit your vehicle (p. 194)
- Possibility of raising the front to make maximum use of the awning height
- Length from 180 to 300



**01 Brackets**  
Wide range of brackets purchased separately (p. 194)

**02 Compact case box**  
The awning is contained in a comfortable anodised aluminium case box

**03 Double guide**  
To install a front panel or Privacy and other accessories

**04 Integrated legs**  
Stored in the roller, telescopic and easy to take out

**05 Reinforced arms**  
Easy to adjust, keep the fabric tensioned

**06 Roller**  
Rolling up of the fabric in both directions



**MODELS AND DIMENSIONS**

F35pro	Extension	Weight
180	1,80 m	8,5 kg
220		10,5 kg
250	2,25 m	11,5 kg
270		13,0 kg
300		14,0 kg

**CASE BOX**

	Titanium
	Deep Black

**FABRIC**

	Royal Grey
	Royal Blue



## Compass

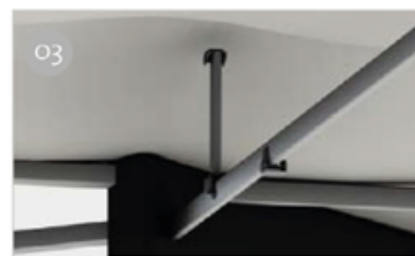
SUITABLE FOR CAMPERVANS AND SUV



The perfect awning that provides a large area of shade on two sides of the vehicle, thanks to the circular compass opening. Ideal for every occasion and for short stops, it is very easy to use.

### FEATURES:

- Manual opening
- 270° compass opening
- Several types of dedicated brackets are available as options (p. 197)



**01 Brackets**  
Can be purchased separately (p. 197)

**02 Compass opening**  
270° opening around the vehicle

**03 Vertical support**  
For a canopy that is always perfectly tensioned

**04 Fabric**  
Attached to the bag with a sturdy zipper, easily removable

**05 Bag**  
Super strong, waterproof and UV-resistant

**06 Resistant to torsion**  
Guaranteed thanks to the robust aluminium structure

**07 Secure Lock**  
Adjusts the height of the lead bar



MODELS AND DIMENSIONS		
Compass	Shade surface	Weight
220	7,2 m <sup>2</sup>	16,5 kg
260	9,9 m <sup>2</sup>	19,5 kg

\* Only suitable for left hand drive vehicles

BAG	
	Silver
	Black

FABRIC	
	Light Grey

Compass



Adapters



## Motor Kit

SUITABLE FOR MOTORHOMES, CARAVANS, VAN CONVERSIONS AND CAMPERVANS



How to make your awning even more powerful? By installing the right motor for each model! All our motors are 12V powered: ideal for every campsite and vehicle.

**FEATURES:**

- 12V motor
- Equipped with Control System

**TO WHICH AWNINGS DOES IT FIT?**

F45 - F65 - F80 (in 3 different variants)

Motor Kit



### MOTOR KIT COMPACT F80s

Small in size and fitted with an aluminium cover, it blends in perfectly with the look of the awning. The Control System allows you to operate it using the practical wall-mounted button.



### MOTOR KIT PLUS F80s

Thanks to the convenient infrared remote control and wall control, operating your awning with this motor will be child's play. The control unit allows the self-tensioning of the fabric and the opening and closing of the awning also with the automotive "one touch" system.



### MOTOR KIT ADVANCED F80s

Thanks to the practical Fiamma App (for Android and iOS), you can manage the awning F80s from your device: opening and closing, LED control (on/off/dimming). The motor is also equipped with wall control Control System.



**CHOOSE THE MODEL THAT SUITS YOU**

	Power supply	Weight
Motor Kit Compact F80s	12 V	1,9 kg
Motor Kit Plus F80s		2,0 kg
Motor Kit Advanced F80s		2,0 kg
Kit Upgrade Advanced F80s*		0,3 kg

\* Also available the Kit Upgrade for Motor Kit Plus for conversion into Motor Kit Advanced.

## AWNINGS

## MOTORS

FIAMMA STORE

CARRY-BIKE

COMFORT

INFO

### MOTOR KIT COMPACT F65L

New compact motor for F65L awning, characterised by smaller size, simple construction, reliability and excellent performance. Equipped with wall-mounted button Control System.



### MOTOR KIT COMPACT F45

New compact motor for F45s and F45L awnings, characterised by smaller size, simple construction, reliability and excellent performance. Equipped with wall-mounted button Control System.



### MOTOR KIT ADVANCED F45L

To manage your F45L awning thanks to the practical Fiamma App (for Android and iOS): opening and closing, LED control (on/off/dimming). The motor is also equipped with wall-mounted button Control System.



#### CHOOSE THE MODEL THAT SUITS YOU

	Power supply	Weight
Motor Kit Compact F45s <b>[New]</b>		
Motor Kit Compact F45L <b>[New]</b>		
Motor Kit Advanced F45L <b>[New]</b>	12 V	2,0 kg
Motor Kit Compact F65L <b>[New]</b>		



## Accessories

How to make your awning even more effective and performing? Simple: just add one or more dedicated Fiamma accessories. Discover them all!



### RAFTER

Canvas always perfectly taut and noise-proof? It can be done, thanks to this practical telescopic rafter adjustable in length, from 145 cm to 250 cm.

**WHICH AWNINGS DOES IT FIT?**  
F45 - F80 - F65 with extension up to 250 cm and 550 cm length



### RAFTER PRO

Curved rafter, raises the canvas slightly for optimal tensioning. Adjustable in length from 145 cm to 250 cm. Not recommended for use at high temperatures.

**WHICH AWNINGS DOES IT FIT?**  
F45 - F80 - F65 with extension up to 250 cm and length 550 cm.



### RAFTER CARAVANSTORE / XL

This practical 30 mm diameter anodised aluminium tension rafter keeps the awning fabric taut and makes it silent and windproof. It is adjustable in length from a minimum of 150 cm to a maximum of 250 cm.

**WHICH AWNINGS DOES IT FIT?**  
CaravanStore awnings with an extension of 225 cm and 250 cm (XL version).



### MAGICRAFTER

And as if by magic, this rafter will give your awning greater stability: just attach it to the arm joints.

**WHICH AWNINGS DOES IT FIT?**  
Awnings from 250 cm to 400 cm in length.



### KIT REPAIR PLUS

Has the awning cover been damaged? Repair it quickly with this kit consisting of 3 transparent PVC adhesive strips!



### PATIO-MAT

Much more than just a mat! Available in 5 lengths, it is made of breathable, self-extinguishing and UV-resistant polypropylene.



### PATIO-BAG

If you want to store your Patio-Mat comfortably in a small space, this practical bag is the ideal solution.



### CRANK HANDLE

Say goodbye to fatigue with this crank handle, available in 3 different lengths: Short, Standard and Telescopic.



## AWNINGS

## ACCESSORIES

Technical and commercial information on p.169

FIAMMASTORE

CARRY-BIKE

COMFORT

INFO

- [Awnings](#)
- [Panels and Enclosures](#)
- [Bike Carriers](#)
- [Motorhome](#)
- [Caravan](#)
- [Campervan](#)
- [Van Conversion](#)
- [SUV](#)
- [Garage](#)
- [Accessories](#)
- [Rear Boxes](#)
- [Comfort](#)
- [Rooflights](#)
- [Lighting](#)
- [Water](#)
- [Level Systems](#)
- [Organisation](#)
- [Safety](#)
- [Ladders](#)
- [Hygiene](#)
- [Vehicle Covers](#)
- [Miscellaneous](#)



### MAGICRAFTER PRO

This pole is designed to give greater stability to your awning. It is easily attached to the arm joints: the two vertical supports provide optimal tension of the canvas. Caution: not recommended for use at high temperatures.

**WHICH AWNINGS DOES IT FIT?**  
Awnings from 350 cm to 450 cm long.



### SPOILER S

The unique design allows for less wind resistance of your awning. Can also be used with other brands of awning. It is made of thermoformed ABS-PLUS with UV protection.



### TIE DOWN S

This kit with anchoring strips optimally fixes wall or roof awnings to the ground. It is also designed to be attached to the Privacy side panel. It consists of 2 adjustable 300 cm bands, 2 pegs, 2 tension springs and 2 front hooks.  
CaravanStore Tie Down S version suitable for CS and F35pro (with leg attachment).



### SAFETY STRIP

Close the front of your awning more securely with this 39 cm strap for F35pro. Perfect for driving over rough terrain.



### TIE DOWN

Essential kit for anchoring wall or roof awnings to the ground. It consists of an 11 m adjustable strap, two pegs and a tensioning spring.



### KIT AWNING PEGS

These robust screw-in pegs are ideal for tents, Privacy Rooms and mats. They can be screwed into the ground by hand - ideal for soft, sandy ground.



### KIT AWNING HANGERS

This practical kit has 6 hooks that fit into the front of the awning and allow you to hang small light objects, so that they are always tidy and close at hand.

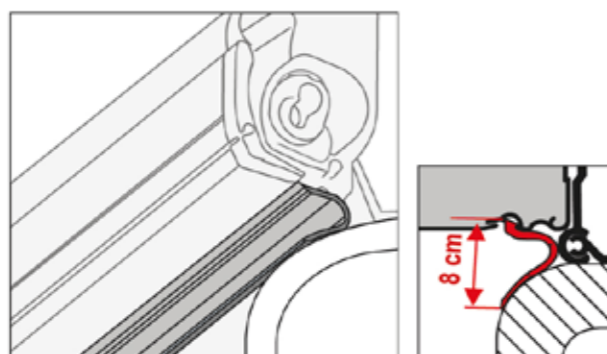
**WHICH AWNINGS DOES IT FIT?**  
Awnings with 7 mm slots



### KIT AWNING PLATE

Don't let your awning get away! Ideal for fixing the front poles to the ground, they increase resistance in case of wind. They fit all types of Fiamma and Thule/Omnistor awning legs.

## Rain Guard and Cover



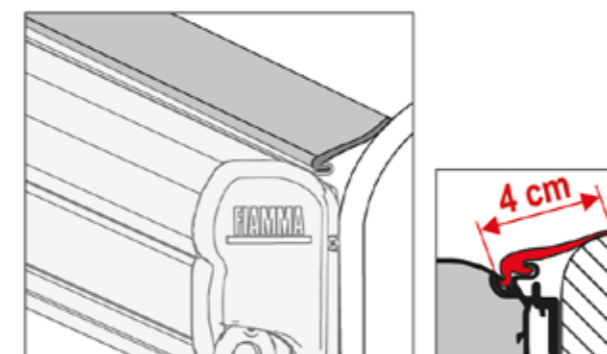
### RAIN GUARD LOWER

Rubber guard for F45s/L awnings with suspended installation spaced from the wall. It can be installed on the slot of the case box.



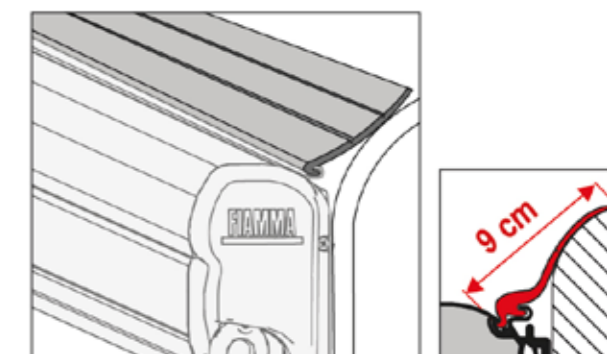
### RAIN GUARD S

Rubber guard for awnings mounted with the AS 120 bracket on flat walls.



### RAIN GUARD M

Rubber guard for awnings spaced up to 4 cm from the wall or on curved walls.



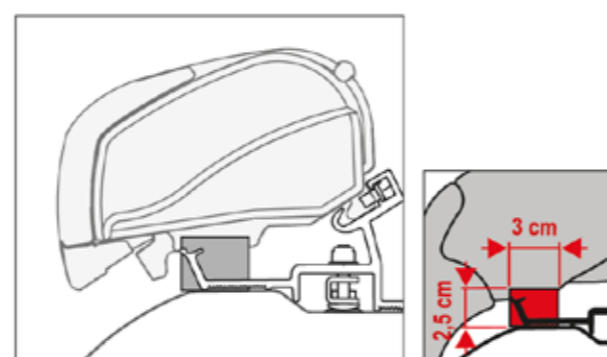
### RAIN GUARD L

Rubber guard for awnings spaced up to 9 cm from the wall or on curved walls.



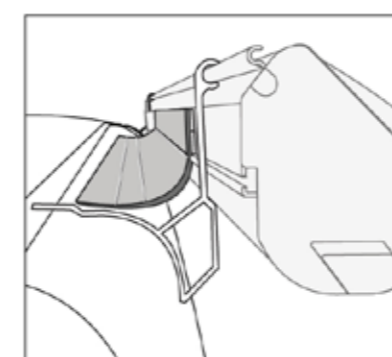
### KIT RAIN GUARD CALIFORNIA

Rubber guard for F45s and F35pro awnings installed on VW California. Length 200 cm.



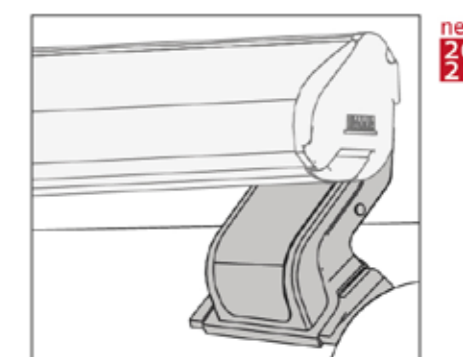
### KIT RAIN GUARD F80 / F65

Rubber guard for roof awnings F80s, F65s and F65L, they cover the entire space between the roof and the awning. Available in two versions: 450 cm and 50 cm kits. Made of EPDM material



### KIT RAIN GUARD VAN

Kit for F45s and F35pro awnings with suspended installation on camper vans, spaced from the wall. Length 300 cm.



new  
20  
22

### KIT COVER VW CADDY MAXI

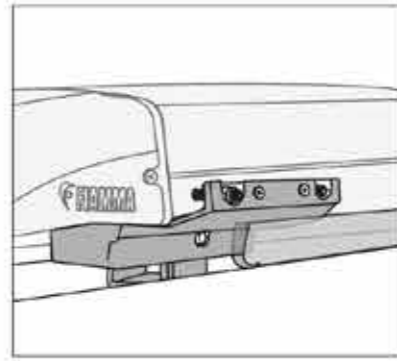
Black plastic covers in combination with bracket Kit VW Caddy Maxi Lift Roof for F35pro to improve the integration of the bracket with the vehicle.



## AWNINGS

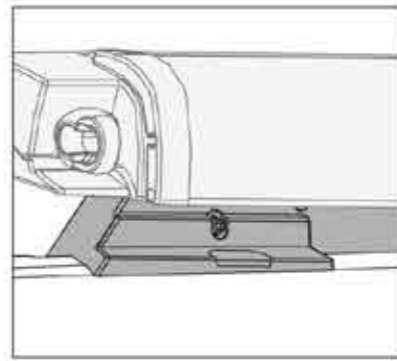
## ACCESSORIES

- [Awnings](#)
- [Panels and Enclosures](#)
- [Bike Carriers](#)
- [Motorhome](#)
- [Caravan](#)
- [Campervan](#)
- [Van Conversion](#)
- [SUV](#)
- [Garage](#)
- [Accessories](#)
- [Rear Boxes](#)
- [Comfort](#)
- [Rooflights](#)
- [Lighting](#)
- [Water](#)
- [Level Systems](#)
- [Organisation](#)
- [Safety](#)
- [Ladders](#)
- [Hygiene](#)
- [Vehicle Covers](#)
- [Miscellaneous](#)



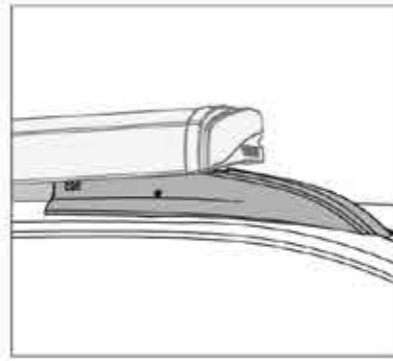
### **KIT RAIN GUARD + COVER F40 VAN - VW T5/T6**

Kit for VW T5/T6 vehicles consisting of seal and cover to optimally integrate the bracket with the F40van awning and the vehicle.



### **KIT RAIN GUARD + COVER F40 VAN - FORD CUSTOM**

Kit for Ford Custom vehicles consisting of seal and cover to optimally integrate the bracket with the F40van awning and the vehicle.



### **KIT RAIN GUARD + COVER F40 VAN - MERCEDES V CLASS**

Kit for Mercedes V Class vehicles consisting of seal and cover to optimally integrate the bracket with the F40van awning and the vehicle.



FIAMMASTORE

CARRY-BIKE

COMFORT

INFO



## PANELS AND ENCLOSURES

Your vehicle is transformed into a safe and cosy environment thanks to Fiamma walls and enclosures. Designed to offer you all the privacy and security you need, they are easy and quick to assemble. The wide range of models allows you to create an additional shady but bright space, protected from the weather. Choose the one that's right for you!



### FRONT AND SIDE PANELS

Fiamma Side and Blocker walls are quickly installed directly on the awning: they are designed to give you all the privacy you need, while maintaining easy access to the awning's shaded area.



### ENCLOSURES

Made up of a front and side panels joined together, they can be quickly fitted to the awning thanks to the Fast Clip system. Lightweight and elegant, they are equipped with large windows, mosquito nets and curtains.



### COMPLETE TENTS

Complete solutions consisting of awning, front and side panels, equipped with a robust zip fastener: together, they allow you to create a complete veranda in just a few minutes.



### REAR DOOR ENCLOSURES

These practical enclosures are specifically designed for the rear of campervans and van conversions. In just a few steps, they increase the privacy and shaded area.



### SKIRTING FOR WIND PROTECTION

Our wind protectors, available for various types of vehicles, protect your relaxing moments from draughts.

- [Awnings](#)
- [Panels and Enclosures](#)
- [Bike Carriers](#)
- [Motorhome](#)
- [Caravan](#)
- [Campervan](#)
- [Van Conversion](#)
- [SUV](#)
- [Garage](#)
- [Accessories](#)
- [Rear Boxes](#)
- [Comfort](#)
- [Rooflights](#)
- [Lighting](#)
- [Water](#)
- [Level Systems](#)
- [Organisation](#)
- [Safety](#)
- [Ladders](#)
- [Hygiene](#)
- [Vehicle Covers](#)
- [Miscellaneous](#)

## ENCLOSURES

**Create your own private,  
safe and comfortable space**



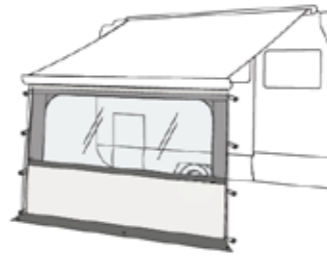
PANELS AND ENCLOSURES

## Choosing guide

Fiamma front and side panels are suitable for all types of vehicles and can be installed directly on the awning.  
How to choose the right one for you?

- Select the panel according to the model, length and extension of your awning
- Choose it according to the type of protection you want: from sun, rain and wind

### Blocker Pro



Protection from



Suitable for

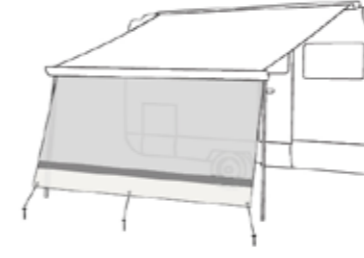


F45s - F45L - F80s - F80L - F40van  
CS/XL - F35pro

Panel length

from ± 100 cm to ± 513 cm

### Sun View XL



Protection from



Suitable for

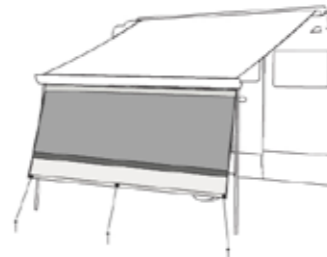


F45s - F45L - F80s - F80L - F40van  
CS/XL - F35pro

Panel length

from ± 100 cm to ± 513 cm

### Blocker



Protection from



Suitable for



F45s - F45L - F80s - F80L - F40van  
CS/XL - F35pro

Panel length

from ± 253 cm to ± 438 cm

### Shade Sun View



Protection from



Suitable for



F45s - F45L - F80s - F80L - F40van  
CS/XL - F35pro

Panel length

± 550 cm

## PANELS AND ENCLOSURES

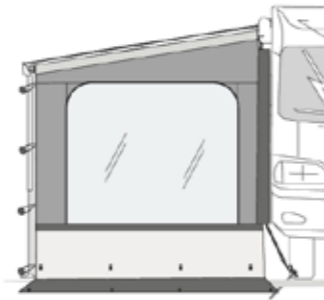
FIAMMASTORE

CARRY-BIKE

COMFORT

INFO

### Side W Pro



Protection from



Extension

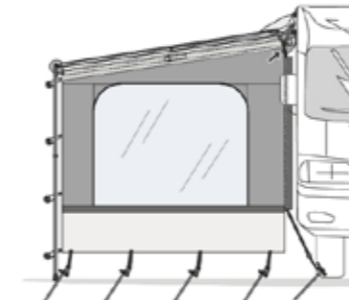
from 190 cm to 240 cm

Suitable for



F45s - F45L - F80s - F80L - F40van  
CS/XL - F35pro

### Side W Caravanstore



Protection from



Extension

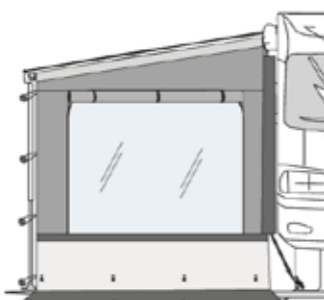
from 210 cm to 240 cm

Suitable for



CS/XL - F35pro

### Side W Pro Shade



Protection from



Extension

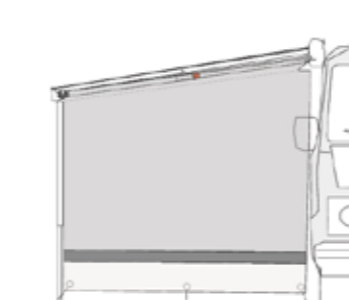
230 cm

Suitable for



F45s - F45L - F80s

### Sun View Side



Protection from



Extension

from 210 cm to 240 cm

Suitable for



F45s - F45L - F80s - F80L - F40van  
CS/XL - F35pro

- [Awnings](#)
- [Panels and Enclosures](#)
- [Bike Carriers](#)
- [Motorhome](#)
- [Caravan](#)
- [Campervan](#)
- [Van Conversion](#)
- [SUV](#)
- [Garage](#)
- [Accessories](#)
- [Rear Boxes](#)
- [Comfort](#)
- [Rooflights](#)
- [Lighting](#)
- [Water](#)
- [Level Systems](#)
- [Organisation](#)
- [Safety](#)
- [Ladders](#)
- [Hygiene](#)
- [Vehicle Covers](#)
- [Miscellaneous](#)



## Blocker

SUITABLE FOR MOTORHOMES, CARAVANS, VAN CONVERSIONS, CAMPERVANS AND 4x4



The Fiamma front walls allow easy access to the awning's shaded area, giving you greater protection.

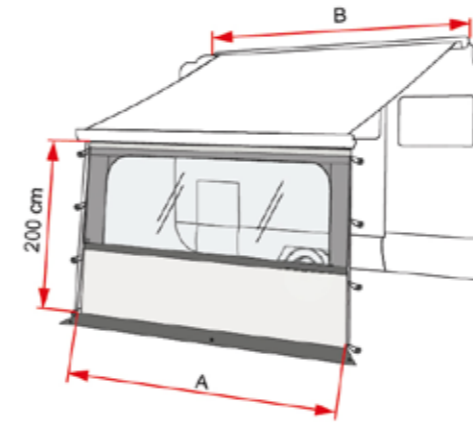
### FEATURES:

- Quick installation
- They are also suitable for awnings of other brands
- Crystal full light window (Blocker Pro)

Front panels



- Sun protection
- Rain protection
- Wind protection

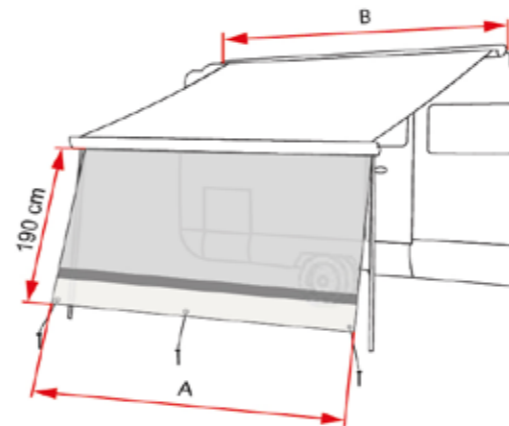


### BLOCKER PRO

Front panel with a large Crystal full light window, with extension to the ground. Made of rot-proof, washable and easy to assemble vinyl fabric with UV protection.

Complete with:

- elastics hooks and pegs for fastening

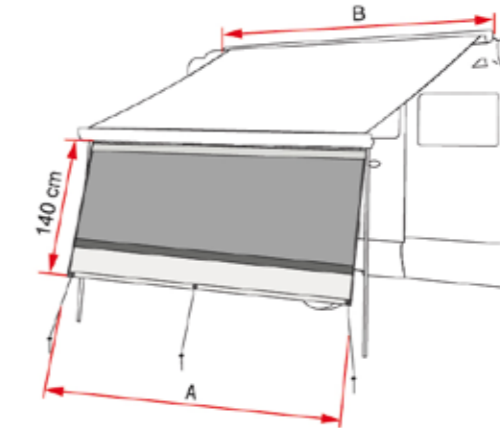


### SUN VIEW XL

Comfortable front panel. Made of translucent light filtering fabric, which partially blocks out light. It can be rolled up with convenient fixing clips.

Supplied with:

- ropes and pegs for fastening

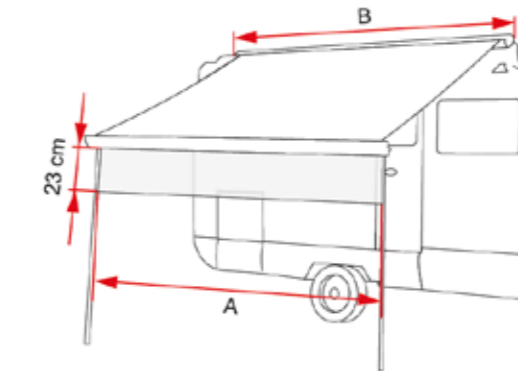


### BLOCKER

Convenient front panel that protects you from sun light and rain and gives you more privacy.

Complete with:

- ropes and pegs for fastening



### SHADE SUN VIEW

The Shade Sun View valance with translucent light filtering material protects from sun and rain extending the shade surface.

Suitable for all awning models, single length 550 cm easily adjustable to the length of the awning.



## PANELS AND ENCLOSURES

## FRONT PANELS

### CHOOSE THE MODEL THAT SUITS YOU

	A	B	Weight
Blocker Pro 100	± 100 cm	from 250 cm	0,8 kg
Blocker Pro 250	± 235 cm	from 250 cm	2,7 kg
Blocker Pro 260 Van	± 250 cm	from 260 cm	2,7 kg
Blocker Pro 280	± 255 cm	from 270 cm	3,0 kg
Blocker Pro 300	± 285 cm	from 300 cm	3,2 kg
Blocker Pro 325 <b>[New]</b>	± 310 cm	from 325 cm	3,4 kg
Blocker Pro 350	± 335 cm	from 340 cm	3,8 kg
Blocker Pro 375	± 360 cm	from 370 cm	4,1 kg
Blocker Pro 400	± 385 cm	from 400 cm	4,5 kg
Blocker Pro 425	± 410 cm	from 425 cm	4,7 kg
Blocker Pro 440	± 415 cm	from 440 cm	4,9 kg
Blocker Pro 450	± 435 cm	from 450 cm	5,0 kg
Blocker Pro 500	± 463 cm	from 500 cm	5,5 kg
Blocker Pro 550	± 513 cm	from 550 cm	6,0 kg

	A	B	Weight
Sun View XL 100	± 100 cm	from 250 cm	0,5 kg
Sun View XL 260	± 250 cm	from 250 cm	1,9 kg
Sun View XL 300	± 285 cm	from 300 cm	2,1 kg
Sun View XL 325 <b>[New]</b>	± 310 cm	from 325 cm	2,2 kg
Sun View XL 350	± 335 cm	from 340 cm	2,3 kg
Sun View XL 375	± 360 cm	from 370 cm	2,4 kg
Sun View XL 400	± 385 cm	from 400 cm	2,5 kg
Sun View XL 425	± 410 cm	from 425 cm	2,6 kg
Sun View XL 450	± 435 cm	from 450 cm	2,7 kg
Sun View XL 500	± 465 cm	from 500 cm	2,9 kg
Sun View XL 550	± 513 cm	from 550 cm	3,1 kg

	A	B	Weight
Shade Sun View	± 550 cm	from 190 cm	0,5 kg

	A	B	Weight
Blocker 260	± 253 cm	from 260 cm	2,3 kg
Blocker 300	± 285 cm	from 300 cm	2,6 kg
Blocker 325 <b>[New]</b>	± 310 cm	from 325 cm	2,7 kg
Blocker 350	± 335 cm	from 340 cm	2,9 kg
Blocker 400	± 385 cm	from 400 cm	3,3 kg
Blocker 450	± 438 cm	from 450 cm	4,0 kg

### ACCESSORIES



### MEGA BAG

Large, strong bag for storing the front and side panels of the Blocker and Side range or any other accessory you want to protect. Available in two sizes (p. 70).



FIAMMASTORE

CARRY-BIKE

COMFORT

INFO

## Side

SUITABLE FOR MOTORHOMES, CARAVANS, VAN CONVERSIONS, CAMPERVANS AND 4x4



Our side panels, which can be installed directly on the awning, give you more privacy while protecting you from wind, rain and sun.

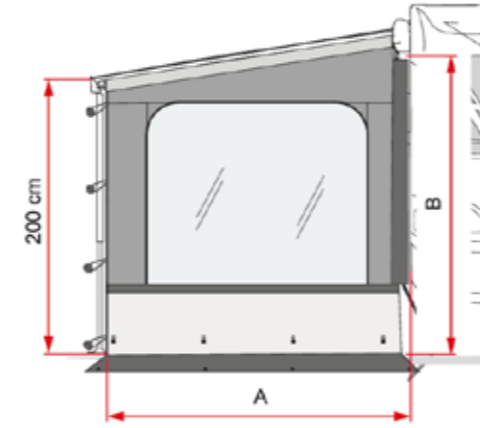
### FEATURES:

- Quick installation
- They are also suitable for awnings of other brands
- Crystal full light windows (Side W Pro / Pro Shade / CaravanStore)

Side panels



- Sun protection
- Rain protection
- Wind protection

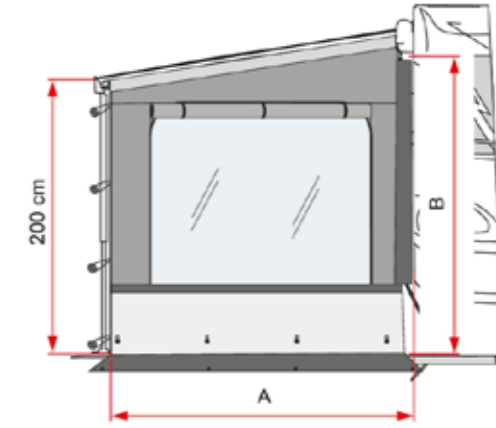


### SIDE W PRO

Side panel with large Crystal full light window and grey extension to the ground, made of rot-proof, UV-resistant and washable vinyl.

Complete with:

- aluminium rafter
- pegs

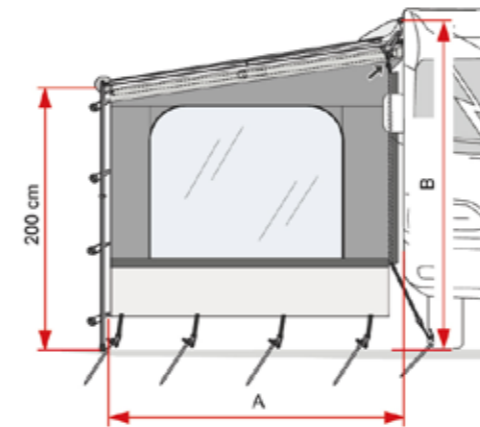


### SIDE W PRO SHADE

Side enclosure with large Crystal full light window, roller blind and grey extension to the ground, made of rot-proof, UV-resistant and washable vinyl.

Complete with:

- aluminium rafter
- pegs

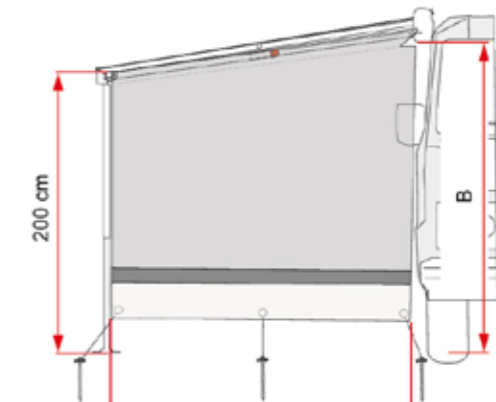


### SIDE W CARAVANSTORE

Side panel with large Crystal full light window made of rot-proof, UV-resistant and washable vinyl.

Complete with:

- aluminium rafter
- pegs



### SUN VIEW SIDE

Side panel made of translucent light filtering fabric, which partially blocks out light.

Complete with:

- aluminium rafter
- tension ropes and pegs



## PANELS AND ENCLOSURES

## SIDE PANELS

### CHOOSE THE MODEL THAT SUITS YOU

Technical and commercial information on p. 172

	A	B	Weight
Side W Pro F45 / F65 / F80	230 cm	225-280 cm	4,2 kg
Side W Pro XXL F45 / F65 / F80	230 cm	280-330 cm	4,5 kg
Side W Pro F80L XL <b>[New]</b>	250 cm	245-280 cm	4,8 kg
Side W Pro F80L XXL <b>[New]</b>	245 cm	281-310 cm	4,9 kg
Side W Pro Van F45	190 cm	180-200 cm	3,4 kg
Side W Pro F65 / F80 Ducato	230 cm	225-280 cm	4,2 kg
Side W Pro F40van	210 cm	180-210 cm	3,0 kg
Side W Pro CaravanStore / F35	210 cm	240-260 cm	4,5 kg
Side W Pro CaravanStore XL	240 cm	240-260 cm	4,8 kg
Side W Pro F35 Van	210 cm	180-220 cm	4,2 kg

	A	B	Weight
Side W Pro Shade F45 / F65 / F80 right	230 cm	225-280 cm	5,3 kg
Side W Pro Shade F45 / F65 / F80 left	230 cm	225-280 cm	5,3 kg

	A	B	Weight
Side W CaravanStore / F35	210 cm	240-260 cm	3,9 kg
Side W CaravanStore XL	240 cm	240-260 cm	4,2 kg

	A	B	Weight
Sun View Side F45 / F65 / F80	230 cm	220-260 cm	1,4 kg
Sun View Side F80L <b>[New]</b>	250 cm	245-310 cm	1,7 kg
Sun View Side CaravanStore/F35	210 cm	180-260 cm	1,3 kg
Sun View Side CaravanStore XL	240 cm	180-260 cm	1,6 kg

### ACCESSORIES

Technical and commercial information on p. 170



### MEGA BAG

Large, strong bag for storing the front and side panels of the Blocker and Side range or any other accessory you want to protect.



FIAMMASTORE

CARRY-BIKE

COMFORT

INFO

## Choosing guide

Do you already own an awning? Our enclosures allow you to create a real open-air room in a few simple steps. How to choose the right one?

- Select the enclosure according to the model of your awning: manual or winch opening
- Choose the enclosure that best suits the season of the year in which you will be using it

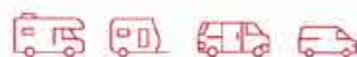
### Privacy Room



#### Installation speed



#### Suitable for



F45s - F45L - F80s - F80L

#### Recommended season



#### Fabric

- Waterproof vinyl

#### Features

- Front and side panels with roll-up Crystal full light window, fitted with mosquito net and curtains as standard
- Additional front panels with fixed Crystal full light window and curtains as standard
- Roll-up door

### Privacy Room Light / CS Light



#### Installation speed



#### Suitable for



F45s (P.R. Light)  
F35pro (P.R. CS Light)  
CStore (P.R. CS Light)  
CStore XL (P.R. CS Light XL)

#### Recommended season



#### Fabric

- Polyester

#### Features

- Front panel with roll-up Crystal full light window, fitted with mosquito net and curtains as standard
- Additional front panels with fixed Crystal full light window or fixed blinds
- Side panels with roll-up blind and mosquito net
- Roll-up door



## PANELS AND ENCLOSURES

FIAMMASTORE

CARRY-BIKE

COMFORT

INFO

### Privacy Ultra Light



#### Installation speed



#### Suitable for



F45s - F45L - F80s

#### Recommended season



#### Fabric

- Polyester ripstop

#### Features

- Single front panel complete with door and fixed Crystal full light window. Possibility of making it completely removable
- Side panels with roll-up blind and mosquito net
- The shaded surface can be increased by completely lifting the side panels
- Consisting of roof, side and front panels

### Room Van / Premium



#### Installation speed



#### Suitable for



F40van

#### Recommended season



#### Fabric

- Polyester ripstop

#### Features

- Room Van  
Blind side panels and Crystal full light front panel with roll-up blind
- Room Van Premium  
Roll-up door, Crystal full light front panel and roll-up blind, side panels with mosquito nets and roll-up blinds
- Consisting of roof, side and front panels





## Privacy Room

SUITABLE FOR MOTORHOMES, CARAVANS, VAN CONVERSIONS AND CAMPERVANS

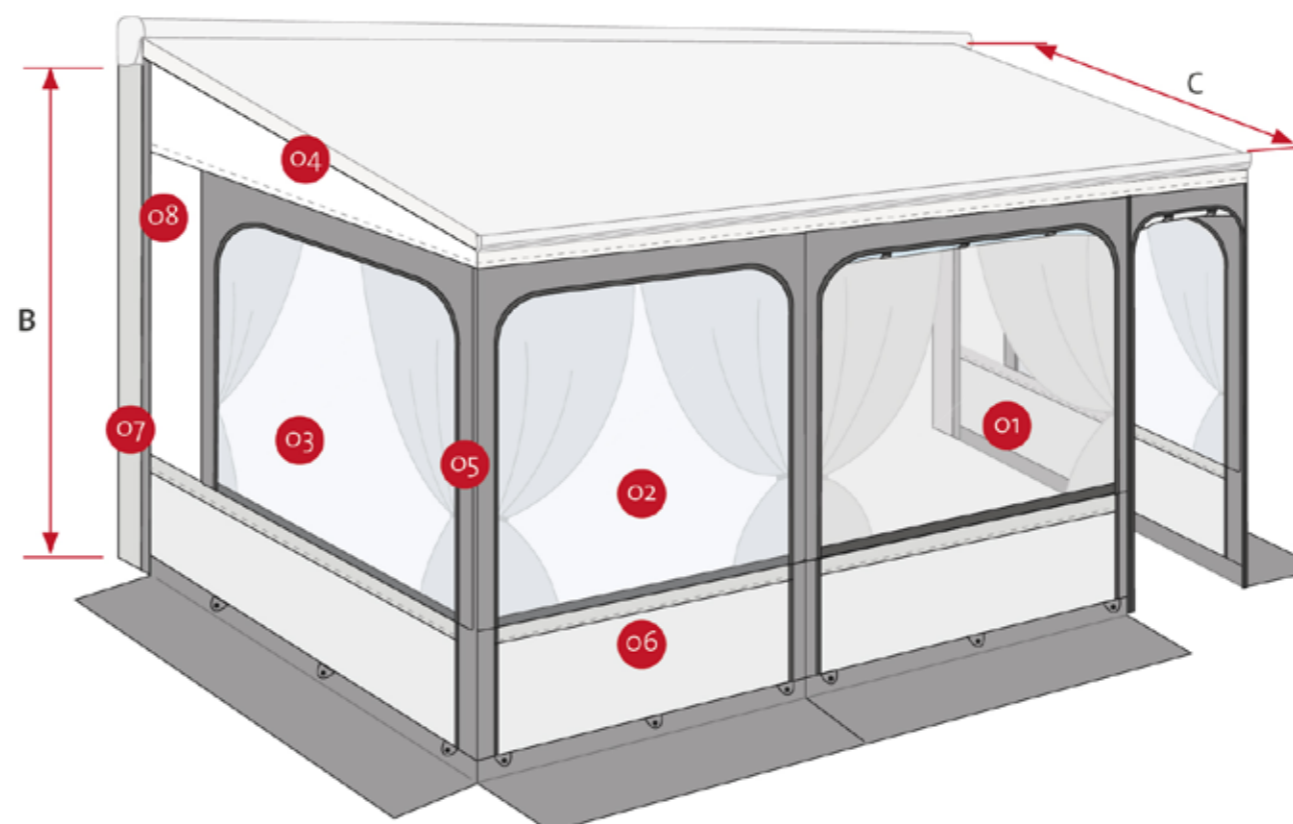


FOR FIAMMA WINCH AWNINGS F45s, F45L, F80s, F65L

Classic enclosure suitable for all seasons, the best solution for medium and long term stays.

### FEATURES:

- Modularity: base modules (Van [S], Medium [M], Large [L], [XL] and [XXL]) and a broad range of additional panels
- Composed of front panels and two side panels
- All Crystal full light windows that can be rolled up, with mosquito net and curtains as standard
- The door can be positioned on the left side of the front panel and easily moved to the right side of the same
- Complete with anchor pegs and Mega Bag to store Privacy Room and poles



Basic module F45s / F45L (C = 200/250 cm)	Height from ground (B)
[S]	180-220 cm
[M]	225-250 cm
[L]	251-280 cm

Basic module F80s (C = 250 cm)	Height from ground (B)
[S]	245 cm
[M]	245-280 cm
[L]	280 cm

Basic module F80L (C = 275 cm)	Height from ground (B)
[XL]	245-280 cm
[XXL]	281-310 cm



### CREATE YOUR PRIVACY ROOM



Basic module [S], [M], [L], [XL], [XXL] length 300 cm + Additional panel = Privacy Room

- 01 Panels**  
With roll-up Crystal full light window, fitted with mosquito net and curtains as standard
- 02 Additional front panels**  
With fixed Crystal full light window and curtains as standard equipment
- 03 Windows**  
Can be closed securely thanks to convenient zips and an extra layer of velcro
- 04 Fast Clip**  
For quick and safe hooking to the awning fabric with internal lever hooks
- 05 Zippers**  
To hermetically join the panels together
- 06 Vinyl fabric**  
Waterproof and UV-resistant, rot-proof and easily washable
- 07 Protective sponge**  
Additional vertical protection for the rear of the side panels
- 08 Vertical Rafter**  
Telescopic aluminium pole as standard (2 pcs), improves grip on the vehicle wall



- [Awnings](#)
- [Panels and Enclosures](#)
- [Bike Carriers](#)
- [Motorhome](#)
- [Caravan](#)
- [Campervan](#)
- [Van Conversion](#)
- [SUV](#)
- [Garage](#)
- [Accessories](#)
- [Rear Boxes](#)
- [Comfort](#)
- [Rooflights](#)
- [Lighting](#)
- [Water](#)
- [Level Systems](#)
- [Organisation](#)
- [Safety](#)
- [Ladders](#)
- [Hygiene](#)
- [Vehicle Covers](#)
- [Miscellaneous](#)

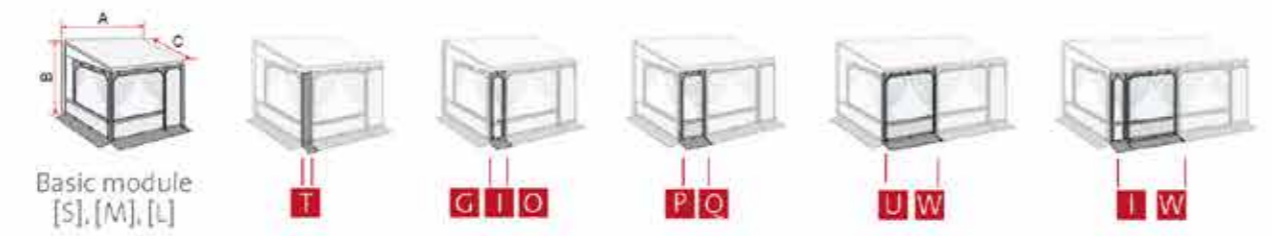


FIAMMA STORE

CARRY-BIKE

**FOR FIAMMA AWNINGS F45S, F45L**

B = [S] h 180-220 cm / [M] h 225-250 cm / [L] h 251-280 cm



A	C	Basic module	Front panels
260 cm	200 cm	[S]	-
300 cm		[S]	<b>G</b> (40 cm)
300 cm		[M] / [L]	-
325 cm <b>[New]</b>	250 cm	[M] / [L]	<b>T</b> (25 cm)
350 cm		[M] / [L]	<b>I</b> (50 cm)
375 cm		[M] / [L] +	<b>O</b> (75 cm)
400 cm		[M] / [L]	<b>P</b> (100 cm)
425 cm		[M] / [L]	<b>Q</b> (125 cm)
450 cm		[M] / [L]	<b>U</b> (150 cm)
500 cm	[M] / [L]		<b>W</b> (200 cm)
550 cm	[M] / [L]		<b>W + T</b> (200 + 50 cm)

COMFORT

INFO





- [Awnings](#)
- [Panels and Enclosures](#)
- [Bike Carriers](#)
- [Motorhome](#)
- [Caravan](#)
- [Campervan](#)
- [Van Conversion](#)
- [SUV](#)
- [Garage](#)
- [Accessories](#)
- [Rear Boxes](#)
- [Comfort](#)
- [Rooflights](#)
- [Lighting](#)
- [Water](#)
- [Level Systems](#)
- [Organisation](#)
- [Safety](#)
- [Ladders](#)
- [Hygiene](#)
- [Vehicle Covers](#)
- [Miscellaneous](#)

**FOR FIAMMA AWNINGS F80s** B = [S] h 245 cm / [M] h 245-280 cm / [L] h 280 cm

A	C	Basic module	Front panels
300 cm	250 cm	[S] / [M] / [L]	-
320 cm		[S] / [M] / [L]	<b>F</b> (20 cm)
340 cm		[S] / [M] / [L]	<b>H</b> (40 cm)
370 cm		[S] / [M] / [L]	<b>N</b> (70 cm)
400 cm		[S] / [M] / [L]	<b>P</b> (100 cm)
425 cm		[S] / [M] / [L]	<b>Q</b> (125 cm)
450 cm	[S] / [M] / [L]	<b>U</b> (150 cm)	

**FOR FIAMMA AWNINGS F80L [New]** B = [XL] h 245-280 cm / [XXL] h 281-310 cm

A	C	Basic module	Front panels
450 cm	275 cm	[XL] / [XXL]	<b>U</b> (150 cm)
500 cm		[XL] / [XXL]	<b>W</b> (200 cm)
550 cm		[XL] / [XXL]	<b>W</b> (200 cm) + <b>I</b> (50 cm)
600 cm		[XL] / [XXL]	<b>W</b> (200 cm) + <b>P</b> (100 cm)
		[XL] / [XXL]	



- [Awnings](#)
- [Panels and Enclosures](#)
- [Bike Carriers](#)
- [Motorhome](#)
- [Caravan](#)
- [Campervan](#)
- [Van Conversion](#)
- [SUV](#)
- [Garage](#)
- [Accessories](#)
- [Rear Boxes](#)
- [Comfort](#)
- [Rooflights](#)
- [Lighting](#)
- [Water](#)
- [Level Systems](#)
- [Organisation](#)
- [Safety](#)
- [Ladders](#)
- [Hygiene](#)
- [Vehicle Covers](#)
- [Miscellaneous](#)



## Privacy Room Light / CS Light

SUITABLE FOR MOTORHOMES, CARAVANS, VAN CONVERSIONS AND CAMPERVANS

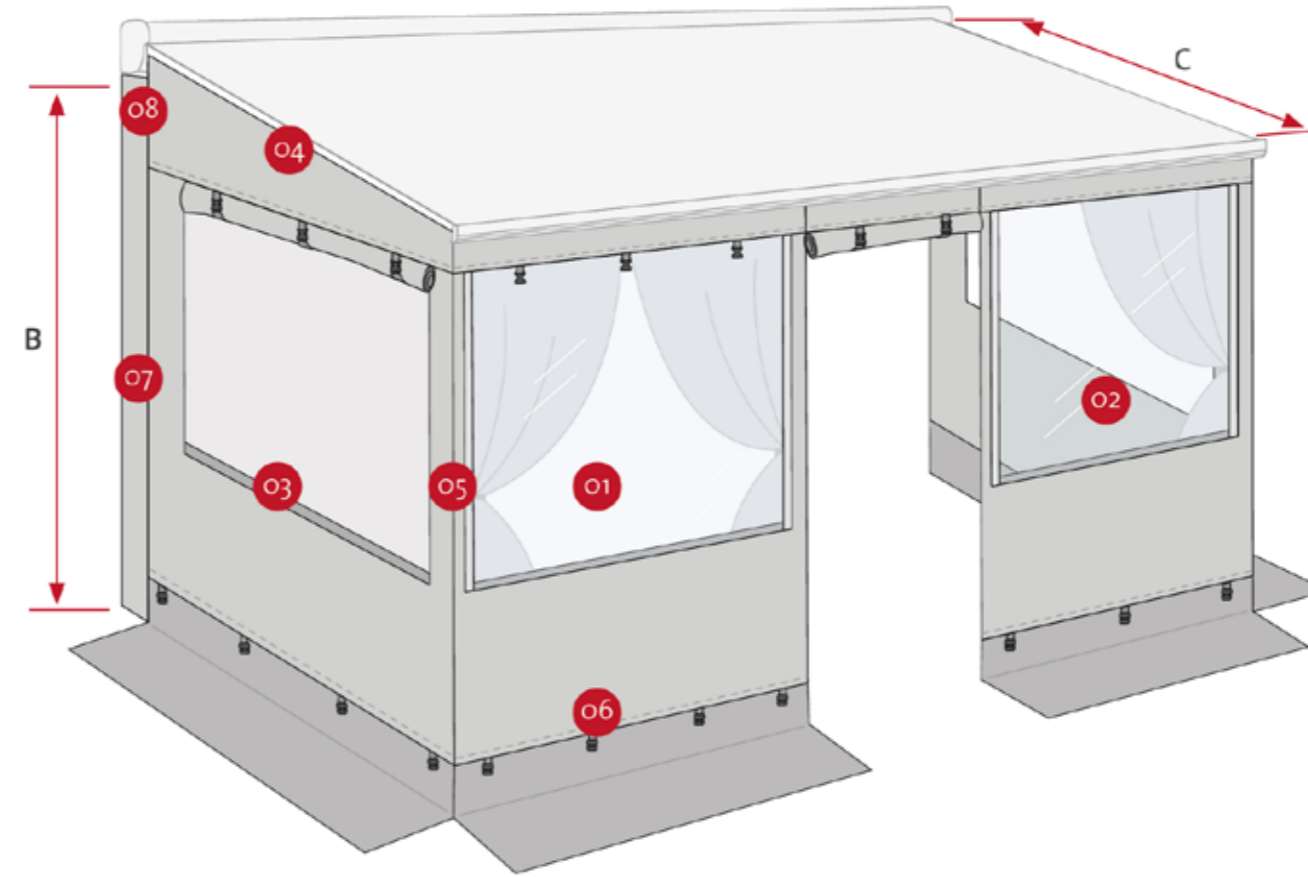


FOR FIAMMA WINCH AND MANUAL AWNINGS F45, F45L, CS AND F35PRO

Light and compact enclosure, suitable for summer or mid-season.

### FEATURES:

- Modularity: base modules (Van [S], Medium [M], Large [L], [D] and [E]) and a broad range of additional panels
- Front panel with roll-up Crystal full light window, fitted with mosquito net and curtains as standard
- Front additional panels with fixed Crystal full light window and standard curtains, or fixed blinds
- Side panels with roll-up blind and mosquito net
- Roll-up door
- Complete with anchor pegs and Mega Bag Light to store Privacy Room and poles



Basic module F45s / F45L	Height from ground (B)
[S]	180-220 cm
[M]	225-250 cm
[L]	251-280 cm

Basic module CS and F35pro	Extension (C)
[D]	225 cm
[E]	250cm

### CREATE YOUR PRIVACY ROOM LIGHT / CS LIGHT



- 01 Front panel**  
With roll-up Crystal full light window, fitted with mosquito net and curtains as standard
- 02 Additional panels**  
With fixed Crystal full light window and standard curtains, or fixed blinds
- 03 Side panels**  
With roll-up blind and mosquito net
- 04 Fast Clip CS**  
For quick and safe hooking to the awning fabric with internal lever hooks
- 05 Zippers**  
To hermetically join the panels together
- 06 Polyester fabric**  
Lightweight, durable and washable
- 07 Kit Poles Light**  
Telescopic aluminium pole as optional (2 pcs), improves grip on the vehicle wall
- 08 Closing elastic**  
Is fixed to the awning and the ground to laterally close the Privacy.



FIAMMASTORE

CARRY-BIKE

COMFORT

INFO

### FOR FIAMMA AWNINGS F45s AND F45L

A	C	Basic module	Front panels
260 cm	200 cm	[S]	-
300 cm		[M] / [L]	-
325 cm <b>[New]</b>		[M] / [L]	<b>Z</b> (25 cm)
350 cm	250 cm	[M] / [L]	<b>I</b> (50 cm)
375 cm		[M] / [L]	<b>O</b> (75 cm)
400 cm		[M] / [L]	<b>P</b> (100 cm)
425 cm		[M] / [L]	<b>Q</b> (125 cm)

B = [S] h 180-220 cm / [M] h 225-250 cm / [L] h 251-280 cm

### FOR FIAMMA AWNINGS CS AND F35PRO

C = [D] 225 cm / [E] 250 cm

A	B	Basic module	Front panels	Suitable for
250 cm		P.R. CS Light 250 Van	-	F35pro 250
270 cm	180-220 cm	P.R. CS Light 270 Van	-	F35pro 270
280 cm		P.R. CS Light 280	-	CStore 280 - F35pro 270
280 cm		P.R. CS Light XL 280	-	CStore XL 280
310 cm		[D]	-	CStore 310 - F35pro 300
360 cm		[D] / [E]	<b>I</b> (50cm)	CStore / XL 360
410 cm	240-260 cm	[D] / [E]	<b>P</b> (100 cm)	CStore / XL 410
440 cm		[D] / [E]	<b>R</b> (130 cm)	CStore / XL 440
500 cm		[E]	<b>V</b> (190 cm)	CStore XL 500
550 cm		[E]	<b>F+V+F</b> (20+190+20 cm)	CStore XL 550

- [Awnings](#)
- [Panels and Enclosures](#)
- [Bike Carriers](#)
- [Motorhome](#)
- [Caravan](#)
- [Campervan](#)
- [Van Conversion](#)
- [SUV](#)
- [Garage](#)
- [Accessories](#)
- [Rear Boxes](#)
- [Comfort](#)
- [Rooflights](#)
- [Lighting](#)
- [Water](#)
- [Level Systems](#)
- [Organisation](#)
- [Safety](#)
- [Ladders](#)
- [Hygiene](#)
- [Vehicle Covers](#)
- [Miscellaneous](#)



## Privacy Ultra Light

SUITABLE FOR MOTORHOMES, CARAVANS, VAN CONVERSIONS AND CAMPERVANS

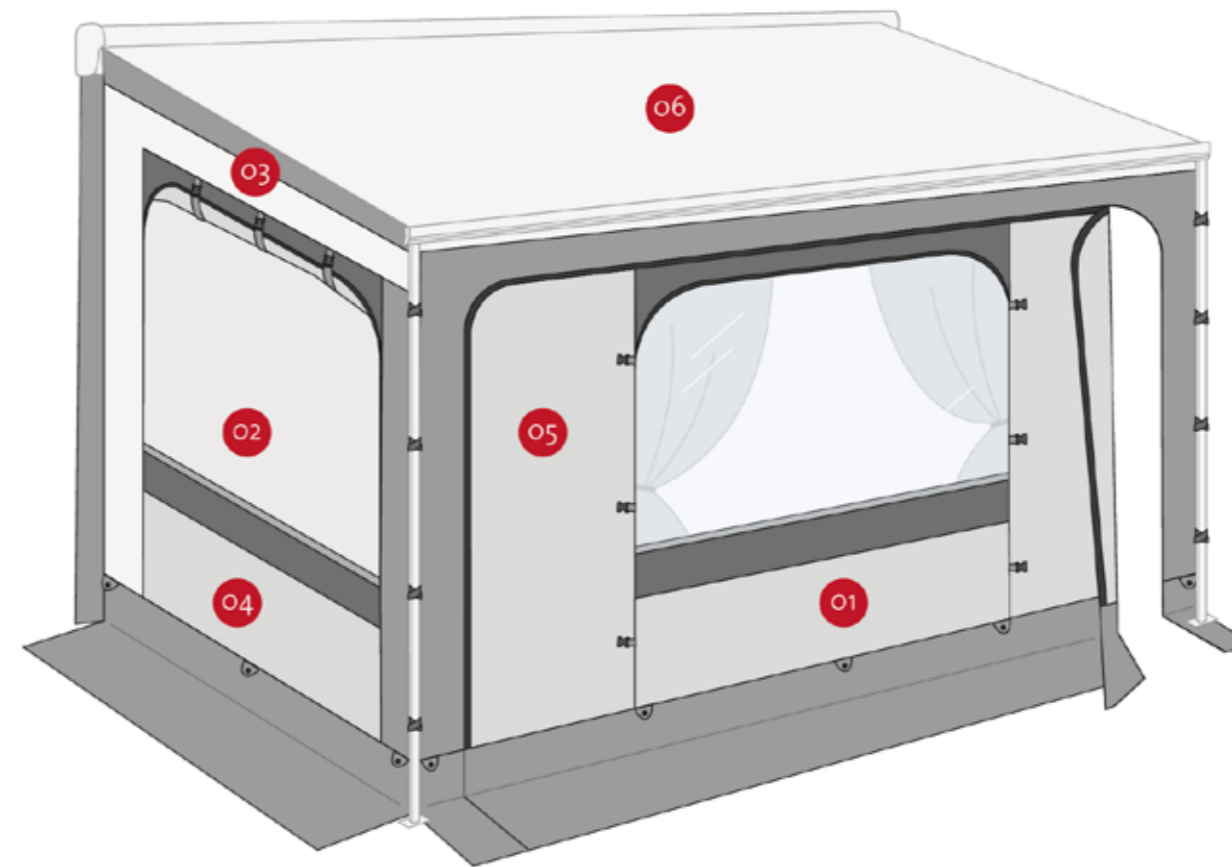


FOR FIAMMA WINCH AWNINGS F45s, F45L, F80s, F65L

Enclosure consisting of roof, front and side panels. Quick to install, it is ideal for short stays or weekends.

### FEATURES:

- Double roof consisting of the awning cover and the Privacy roof, which allows a constant passage of air.
- Single front panel complete with door and fixed Crystal full light window. Possibility of making it completely removable
- Side panels with roll-up blind and mosquito net
- The shaded surface can be increased by completely lifting the side panels with Kit Poles (optional)
- Aluminium rafters and pegs for safe anchoring
- Complete with Mega Bag to store Privacy Room and poles



**01 Front panel**  
Complete with door and fixed Crystal full light window. Possibility of making it completely removable

**02 Side panels**  
With roll-up blind and mosquito net

**03 One single piece**  
Consisting of roof, side and front panels

**04 Opening sides**  
Possibility to open them increasing the shaded area with Kit Poles (optional)

**05 Ripstop polyester fabric**  
Light and tear-resistant

**06 Double roof**  
Composed of the awning fabric and the Privacy roof which create an air chamber with constant ventilation thus lowering the temperature inside the Privacy room



**FOR FIAMMA AWNINGS F45, F65, F80**

Technical and commercial information on p.175



	A	B	C	Weight
Privacy Ultra Light Van 260	260 cm	180-220 cm	200 cm	12,3 kg
Privacy Ultra Light 300	300 cm			14,2 kg
Privacy Ultra Light 350	350 cm	230-280 cm	250 cm	15,4 kg
Privacy Ultra Light 400	400 cm			16,6 kg
Privacy Ultra Light 450	450 cm			17,8 kg

- [Awnings](#)
- [Panels and Enclosures](#)
- [Bike Carriers](#)
- [Motorhome](#)
- [Caravan](#)
- [Campervan](#)
- [Van Conversion](#)
- [SUV](#)
- [Garage](#)
- [Accessories](#)
- [Rear Boxes](#)
- [Comfort](#)
- [Rooflights](#)
- [Lighting](#)
- [Water](#)
- [Level Systems](#)
- [Organisation](#)
- [Safety](#)
- [Ladders](#)
- [Hygiene](#)
- [Vehicle Covers](#)
- [Miscellaneous](#)



## Room Van

SUITABLE FOR CAMPERVANS

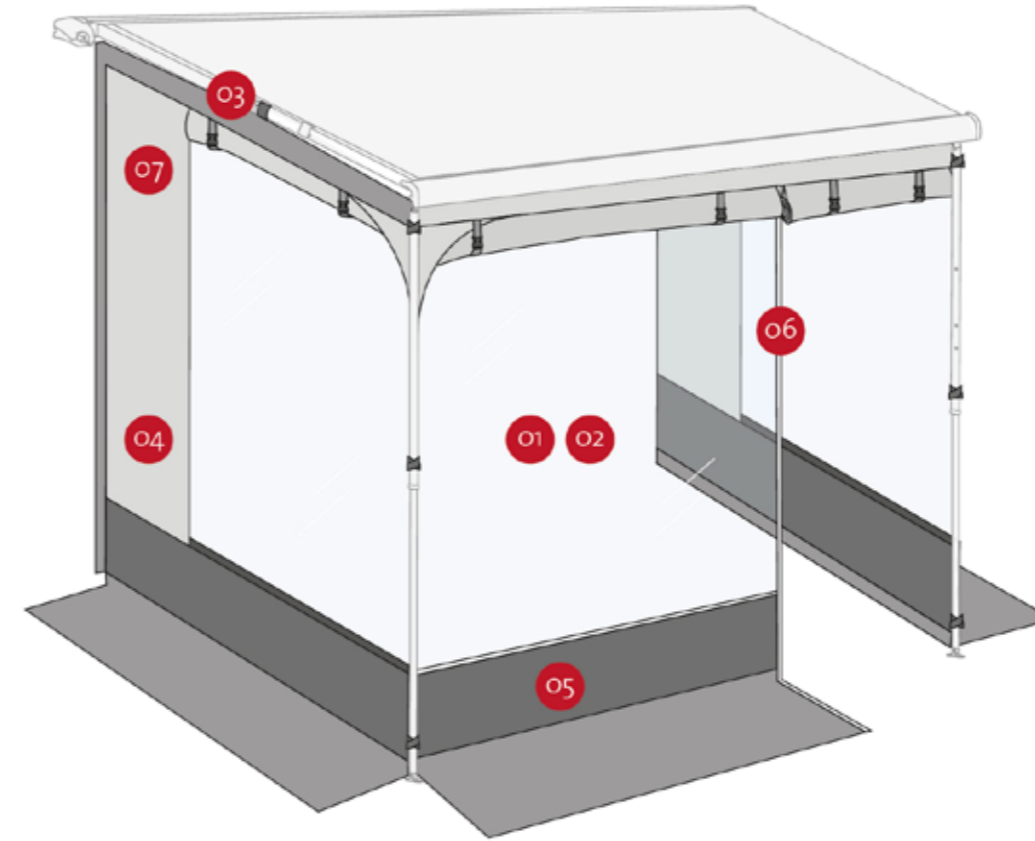


FOR FIAMMA WINCH AWNINGS F40VAN

Specific enclosure for F40van.  
Without poles, it is quick to install and ideal for those who like to move on quickly.

**FEATURES:**

- Light and without poles
- Consisting of roof, side and front panels
- Complete with Mega Bag
- Available in 2 versions:  
Room Van: blind side panels and Crystal full light front panel with roll-up blind  
Room Van Premium: roll-up door, Crystal full light front panel and roll-up blind, side panels with mosquito nets and roll-up blinds



- 01 Room Van Premium**  
Roll-up door, Crystal full light front panel and roll-up blind, side panels with mosquito nets and roll-up blinds
- 02 Room Van**  
Blind side panels and Crystal full light front panel with roll-up blind
- 03 Fixing**  
No poles, direct fixing to the case box and the lead bar of the awning
- 04 One single piece**  
Made in one piece consisting of roof, sides and fronts
- 05 Ripstop polyester fabric**  
Light and tear-resistant
- 06 Opening front panel**  
Completely openable by increasing the shaded area (with optional Poles Kit)
- 07 Compact**  
Takes up little storage space in the Mega Bag provided



**FOR THE AWNING FIAMMA F40VAN**

Technical and commercial information on p. 175



	A	B	C	Weight
Room Van Premium	270 cm	180-210 cm	225 cm	5,4 kg
Room Van	270 cm	180-210 cm	225 cm	4,8 kg

- [Awnings](#)
- [Panels and Enclosures](#)
- [Bike Carriers](#)
- [Motorhome](#)
- [Caravan](#)
- [Campervan](#)
- [Van Conversion](#)
- [SUV](#)
- [Garage](#)
- [Accessories](#)
- [Rear Boxes](#)
- [Comfort](#)
- [Rooflights](#)
- [Lighting](#)
- [Water](#)
- [Level Systems](#)
- [Organisation](#)
- [Safety](#)
- [Ladders](#)
- [Hygiene](#)
- [Vehicle Covers](#)
- [Miscellaneous](#)





## Fiamma ZIP

SUITABLE FOR MOTORHOMES, CARAVANS AND VAN CONVERSIONS

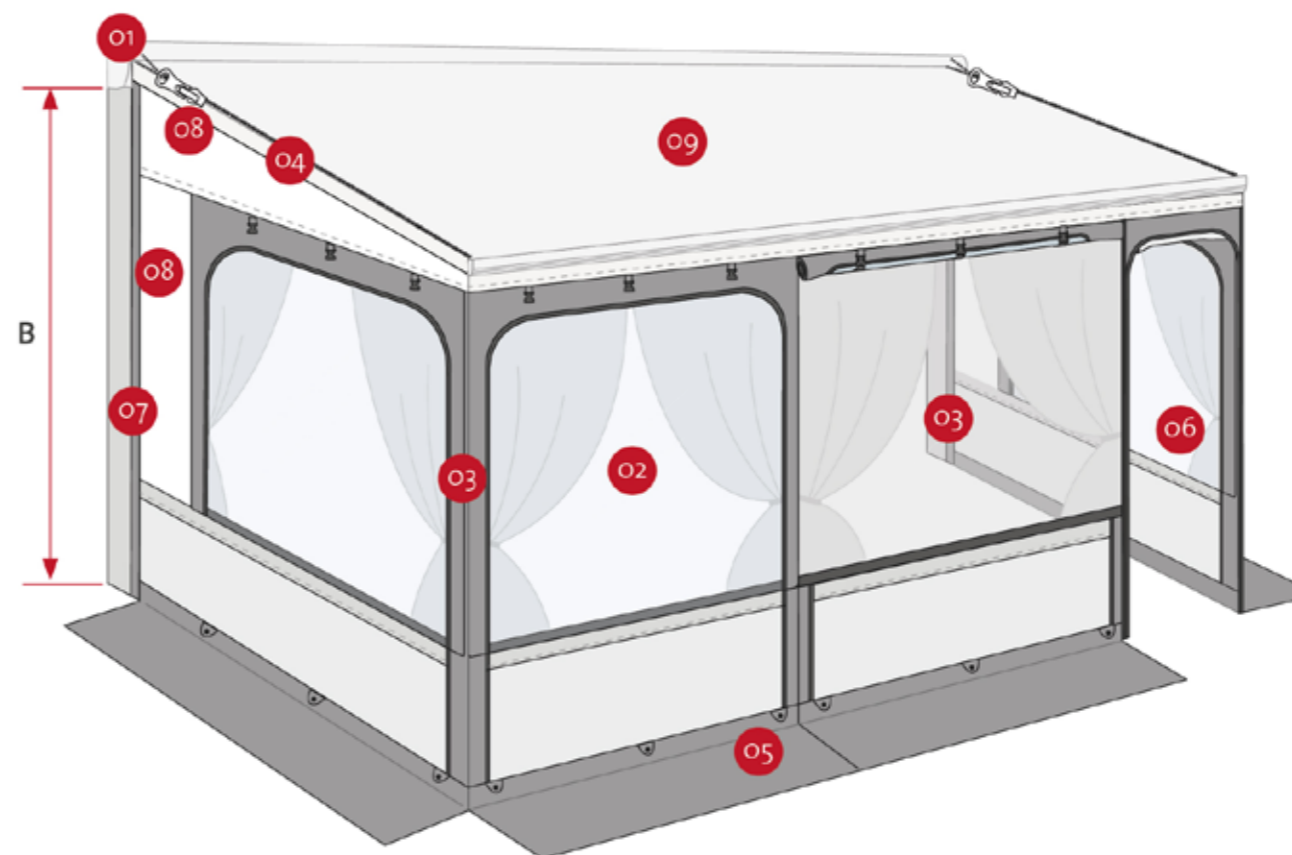


COMPLETE TENT - WITH WINCH

Awning F45 with zips, front and side panels with zips which, when joined together, create a complete veranda in a matter of minutes.

### FEATURES:

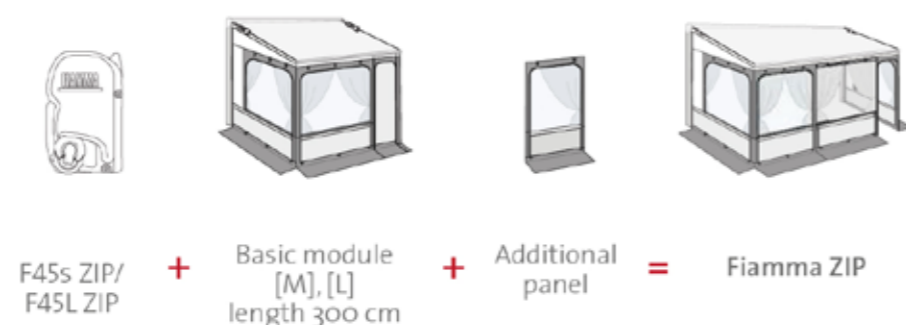
- Awning on F45 base with installation brackets included
- Privacy enclosure: front and side panels
- Zipper hinge system
- Crystal full light windows that can be rolled up, with mosquito net and curtains as standard
- Rapid Set and tension rafter installation kit
- Complete with windproof Fiamma Skirting enclosure (p.69)
- Elastic ropes with quick hooks as standard
- Complete with Mega Bag to store Privacy Room and poles
- 2 heights available: Medium [M], Large [L]



Basic module F45s / F45L	Height from ground (B)
[M]	225-250 cm
[L]	251-280 cm



### CREATE YOUR FIAMMA ZIP



### WHAT YOU CAN ADD TO YOUR FIAMMA ZIP

Accessories - See page 70

**01 Awning**  
F45 Polar White with zips, with installation brackets included

**02 Windows**  
Can be closed securely thanks to convenient zips and an extra layer of velcro

**06 Door**  
Can be positioned on either the right or left side of the front

**03 Panels**  
With roll-up Crystal full light window, fitted with mosquito net and curtains as standard

**07 Protective sponge**  
Additional vertical protection for the rear of the side panels

**04 Zippers**  
Combine Privacy with the awning fabric

**08 Rapid Set Installation Kit**  
Composed of aluminium poles for the installation of the Privacy system

**05 Vinyl fabric**  
Waterproof, UV-resistant, rot-proof and washable

**09 Rafter**  
Fabric tension rod



FIAMMASTORE

CARRY-BIKE

COMFORT

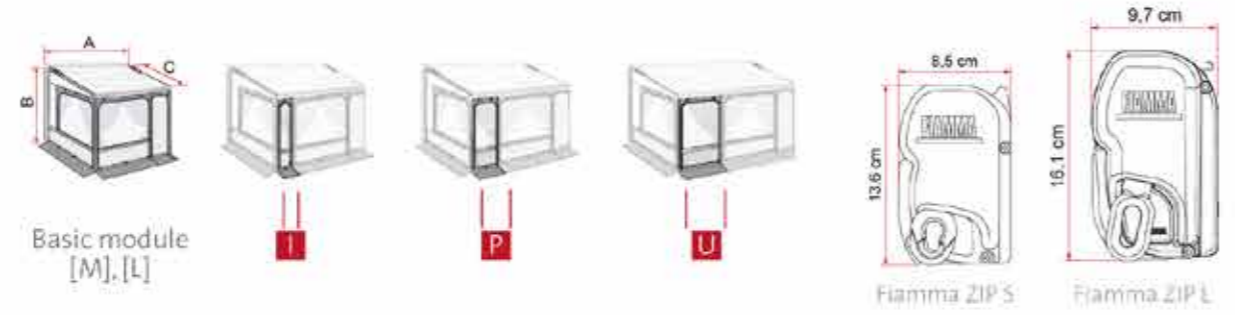
INFO

- [Awnings](#)
- [Panels and Enclosures](#)
- [Bike Carriers](#)
- [Motorhome](#)
- [Caravan](#)
- [Campervan](#)
- [Van Conversion](#)
- [SUV](#)
- [Garage](#)
- [Accessories](#)
- [Rear Boxes](#)
- [Comfort](#)
- [Rooflights](#)
- [Lighting](#)
- [Water](#)
- [Level Systems](#)
- [Organisation](#)
- [Safety](#)
- [Ladders](#)
- [Hygiene](#)
- [Vehicle Covers](#)
- [Miscellaneous](#)

**MODELS AND DIMENSIONS**

B = [M] h 225-250 cm / [L] h 251-280 cm

Technical and commercial information on p.176



Awning	A	Basic module	Front panels	C
F45s	300 cm	[M]	-	
F45L	350 cm	[M]	<b>I</b> (50cm)	
F45L	400 cm	[M]	<b>P</b> (100 cm)	
F45L	450 cm	[M]	<b>U</b> (150 cm)	
F45s	300 cm	[L]	-	250 cm
F45s	350 cm	[L]	<b>I</b> (50cm)	
F45L	400 cm	[L]	<b>P</b> (100 cm)	
F45L	450 cm	[L]	<b>U</b> (150 cm)	



## CaravanStore ZIP XL

SUITABLE FOR CARAVANS

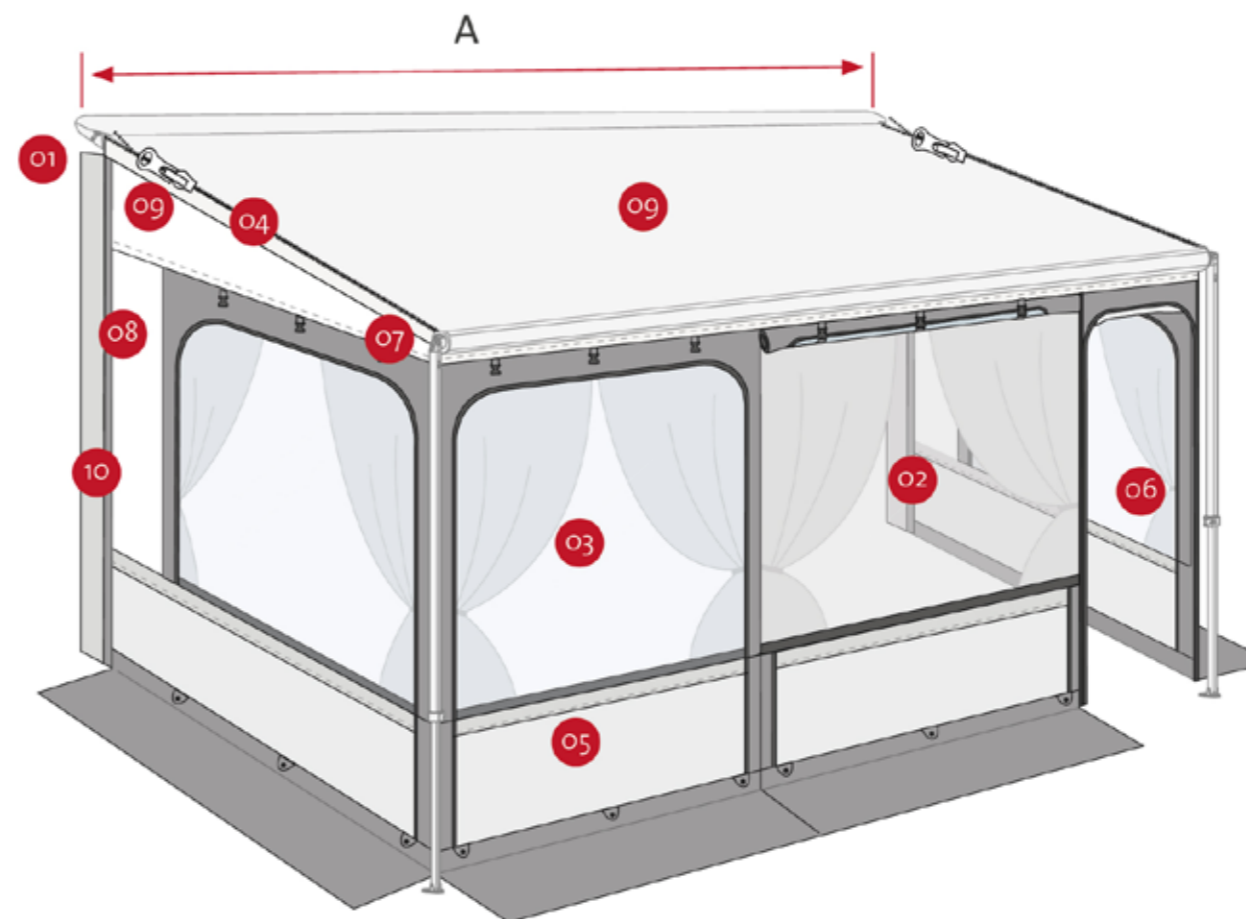


COMPLETE TENT - MANUAL

Manual awning CaravanStore with zips, front and side panels with zips which, when joined together, create a complete veranda in a matter of minutes.

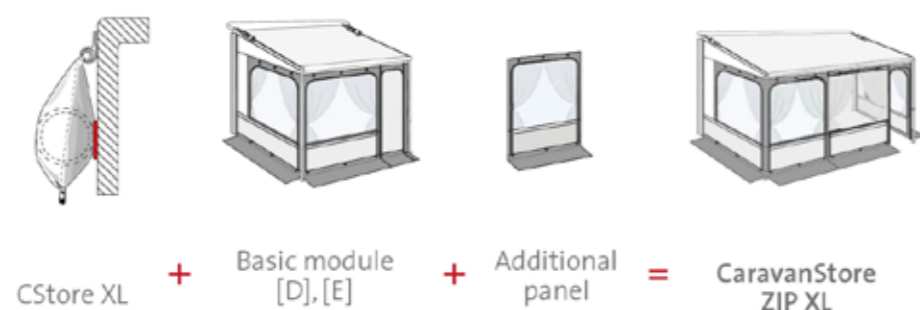
### FEATURES:

- Awning CaravanStore with zips
- Privacy enclosure: front and side panels
- Zipper hinge system
- Crystal full light windows that can be rolled up, with mosquito net and curtains as standard
- Rapid Set and CS installation kit
- Elastic ropes with quick hooks as standard
- Complete with Mega Bag to store Privacy Room and poles



Basic module CS XL	A
[D]	280 cm
[E]	310 cm

### CREATE YOUR CARAVANSTORE ZIP XL



### WHAT YOU CAN ADD TO YOUR CARAVANSTORE ZIP

Accessories - See page 70



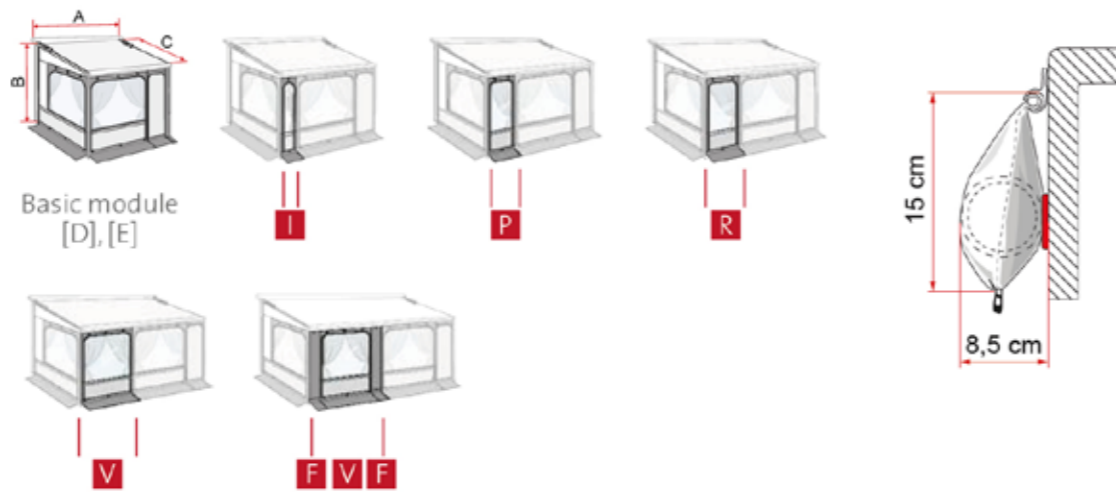
- 01 Awning**  
CaravanStore with zips with grey bag
- 02 Panels**  
With roll-up Crystal full light window, fitted with mosquito net and curtains as standard
- 03 Windows**  
Can be closed securely thanks to convenient zips and an extra layer of velcro
- 04 Zippers**  
Combine Privacy with the awning fabric
- 05 Vinyl fabric**  
Waterproof, UV-resistant, rot-proof and washable
- 06 Door**  
Can be positioned on either the right or left side of the front
- 07 Flexyblock**  
System that reinforces the tension of the rafter thanks to the extension 250 cm
- 08 Support poles**  
CaravanStore Support Leg (from length 3.60 m) and Rafter CaravanStore (for length 4.0 m) for fabric tensioning
- 09 Rapid Set CS**  
Composed of aluminium poles for the installation of the Privacy system
- 10 Protective sponge**  
Additional vertical protection for the rear of the side panels



### MODELS AND DIMENSIONS

A = [D] 280 cm / [E] 310 cm

Technical and commercial information on p. 176



Awning	A	Basic module	Front panels	C
	280 cm	[D]	-	
	310 cm	[E]	-	
	360 cm	[E]	[I] (50 cm)	
CS XL	410 cm	[E]	[P] (100 cm)	250 cm
	440 cm	[E]	[R] (130 cm)	
	500 cm	[E]	[V] (190 cm)	
	550 cm	[E]	[F + V + F] (20 + 190 + 20)	

- [Awnings](#)
- [Panels and Enclosures](#)
- [Bike Carriers](#)
- [Motorhome](#)
- [Caravan](#)
- [Campervan](#)
- [Van Conversion](#)
- [SUV](#)
- [Garage](#)
- [Accessories](#)
- [Rear Boxes](#)
- [Comfort](#)
- [Rooflights](#)
- [Lighting](#)
- [Water](#)
- [Level Systems](#)
- [Organisation](#)
- [Safety](#)
- [Ladders](#)
- [Hygiene](#)
- [Vehicle Covers](#)
- [Miscellaneous](#)

## Rear Door Cover

SUITABLE FOR VAN CONVERSIONS AND CAMPERVANS



Our practical tailgate enclosures for minivans and vans are designed to increase your privacy.

**FEATURES:**

- Quick installation
- To make the most of the space



### REAR DOOR COVER DUCATO

Enclosure with side bands and a front folding closure. Suitable for Fiat Ducato, Citroën Jumper and Peugeot Boxer H2 after 2006 and Mercedes Sprinter H2 from 2006 to 2008. Complete with awning rafter, pegs and tensioning elastics.

### REAR DOOR COVER VW T5/T6

Can be quickly installed on standard tailgates also with mounted bike rack (without bikes). It is an enclosure with a roll-up or extendable door and mosquito net. Complete with floor poles, pegs, tension elastics and Mega Bag Light.

Rear Door Cover



**CHOOSE THE MODEL THAT SUITS YOU**

	Weight
Rear Door Cover Ducato	3,3 kg
Rear Door Cover VW T5/T6	9,8 kg

**ACCESSORIES**



**POLES KIT**

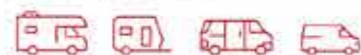
Set of two aluminium poles to extend the door as an additional awning.

## PANELS AND ENCLOSURES

## WIND PROTECTION

# Skirting

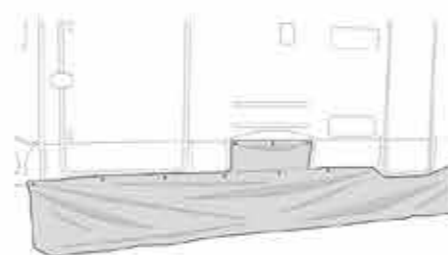
SUITABLE FOR MOTORHOMES, CARAVANS, VAN CONVERSIONS AND CAMPERVANS



You can say goodbye to those annoying draughts coming from the underside of your vehicle.

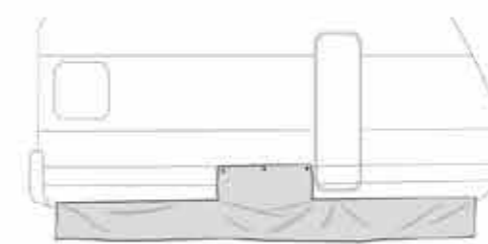
### FEATURES:

- Can be shortened to awning size
- Different models for each type of vehicle



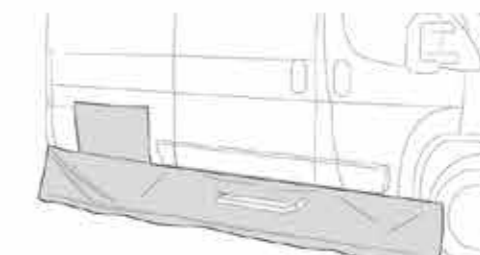
### SKIRTING MOTORHOME

For your motorhome or campervan, the wind protection comes complete with a kit with press studs.



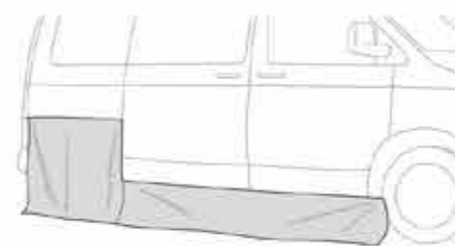
### SKIRTING CARAVAN

The wind protector that mounts on the caravan's standard rail.



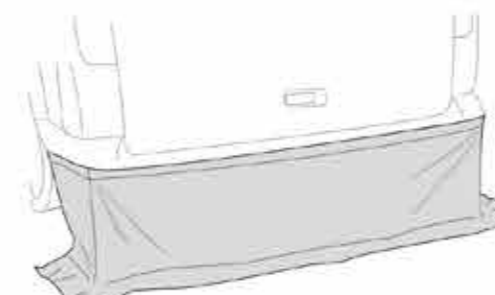
### SKIRTING DUCATO

Complete with wheel cover, elastic belts and magnets for attachment, it is suitable for wheelbases of lengths L2, L3 and L4.



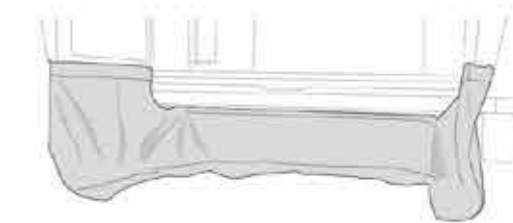
### SKIRTING VW T5/T6

The perfect model for Volkswagen campervans, it comes complete with wheel cover, elastic belts and magnets for attachment.



### REAR SKIRTING VW T5 / T6

Attach the wind protector to the back of your vehicle. Perfect in combination with Rear Door Cover VW T5/T6.



### REAR SKIRTING DUCATO

Attach the wind protector to the back of your vehicle. Perfect in combination with Rear Door Cover Ducato.

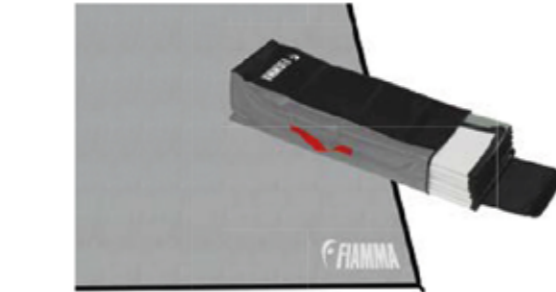
### CHOOSE THE MODEL THAT SUITS YOU

	Dimensions	Weight		Weight
Skirting Motorhome	550x60h cm	1,7 kg	Rear Skirting Ducato	1,7 kg
Skirting Caravan	450x60h cm	1,8 kg	Rear Skirting VW T5/T6	1,1 kg
Skirting Ducato	250x42h cm	1,4 kg		
Skirting VW T5/T6	497x45h cm	0,7 kg		

- [Awnings](#)
- [Panels and Enclosures](#)
- [Bike Carriers](#)
- [Motorhome](#)
- [Caravan](#)
- [Campervan](#)
- [Van Conversion](#)
- [SUV](#)
- [Garage](#)
- [Accessories](#)
- [Rear Boxes](#)
- [Comfort](#)
- [Rooflights](#)
- [Lighting](#)
- [Water](#)
- [Level Systems](#)
- [Organisation](#)
- [Safety](#)
- [Ladders](#)
- [Hygiene](#)
- [Vehicle Covers](#)
- [Miscellaneous](#)

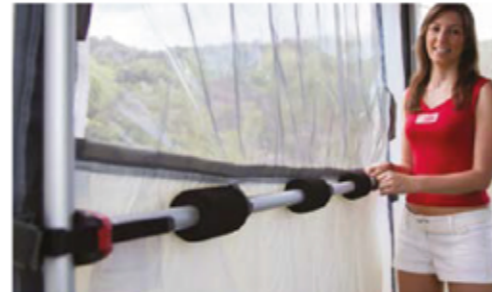
## Accessories

Complete your enclosure with the right accessories to create a true open-air room.



### PATIO-MAT / PATIO BAG

Comfortable mat for your Privacy, available in 5 lengths. It is made of breathable, self-extinguishing and UV-resistant polypropylene. Optional extra: the practical Patio Bag.



### KIT MAGIC PRIVACY

In the event of wind, the best ally for giving greater stability to the walls of your Privacy. Three versions available according to the length for the front panel, and one for the side panel.



### DOOR POLE

When you leave your Privacy door open, this telescopic vertical pole increases the stability of the front.



### CARAVANSTORE SUPPORT LEGS

Increase the strength of your CaravanStore with these reinforcement poles designed for application on the front tube. Delivered as standard with:

- CaravanStore XL from 440
- CaravanStore ZIP XL from 360



### RAIN CAPS

To prevent water from seeping into the Privacy in case of rain, don't miss our special pair of seals. To be applied on the awning side caps, suitable for F45s, F45L, Fiamma ZIP S and Fiamma ZIP L.



### MEGA BAG ELITE

Storage bag for panels and Privacy Room. Dimensions: 150x35x35 cm. Equipped with wheels, internal net pockets with elastic border and reinforcement panel on the bottom and 2 on the sides.



new  
20  
22

### MEGA BAG SMART L

Storage bag for panels and Privacy Room. Dimensions: 195x25x25 cm. Length increased, to hold and carry skis too with internal Velcro fasteners to secure skis and studded holes to allow small amounts of water to escape; with internal pockets.



### PACK ORGANIZER PRIVACY

Optimise the space inside your enclosure and keep everything within reach, thanks to these storage containers that attach directly to the panels

## PANELS AND ENCLOSURES

## ACCESSORIES



### KIT POLES

Set of two aluminium poles to extend the door or the side panel as an additional awning, suitable for Privacy Ultra Light, Rear Door Cover Ducato and VW T5/T6.



### KIT POLES LIGHT

Vertical support poles to increase the stability of the Privacy Room to the vehicles' wall. Optional for Privacy Room Light and Privacy Room CS Light.



### PRIVACY RAIL KIT

Kit of 4 rails, 100 cm. each, for the installation of Pack Organizer S, L and Shoes inside the Privacy Room.



### CURTAINS KIT SMOKE

Even more privacy, even more shade. Curtains for front and side panels of the Privacy Room and Blocker Pro front panels. Kits available: 2 and 6 pieces.



FIAMMA STORE

CARRY-BIKE

COMFORT

INFO

- [Awnings](#)
- [Panels and Enclosures](#)
- [Bike Carriers](#)
- [Motorhome](#)
- [Caravan](#)
- [Campervan](#)
- [Van Conversion](#)
- [SUV](#)
- [Garage](#)
- [Accessories](#)
- [Rear Boxes](#)
- [Comfort](#)
- [Rooflights](#)
- [Lighting](#)
- [Water](#)
- [Level Systems](#)
- [Organisation](#)
- [Safety](#)
- [Ladders](#)
- [Hygiene](#)
- [Vehicle Covers](#)
- [Miscellaneous](#)



## CARRY-BIKE

- [Awnings](#)
- [Panels and Enclosures](#)
- [Bike Carriers](#)
- [Motorhome](#)
- [Caravan](#)
- [Campervan](#)
- [Van Conversion](#)
- [SUV](#)
- [Garage](#)
- [Accessories](#)
- [Rear Boxes](#)
- [Comfort](#)
- [Rooflights](#)
- [Lighting](#)
- [Water](#)
- [Level Systems](#)
- [Organisation](#)
- [Safety](#)
- [Ladders](#)
- [Hygiene](#)
- [Vehicle Covers](#)
- [Miscellaneous](#)



### MOTORHOMES

You can mount the Carry-Bike on the rear wall of the motor home without impairing the view to the rear: practical and safe.



### CARAVANS

Simply mount the Fiamma bike carrier on the A-frame or on the rear wall of the caravan to safely transport your bikes.



### CAMPERVANS

The campervan specific Carry-Bike models integrate perfectly with the design of your vehicle for everyday use in transporting your bicycles.



### VAN CONVERSIONS

You can mount the Fiamma bike carrier on the back of your van even if you have a double door!



### SUV

On the tailgate or spare tyre, your bike is always with you.



### GARAGE

Garage solutions are ideal if you want to transport your bikes safely in the garage of your motorhome.



### ACCESSORIES

From rails to bike covers, our specific accessories facilitate and complete the performance of your Carry-Bike.



- [Awnings](#)
- [Panels and Enclosures](#)
- [Bike Carriers](#)
- [Motorhome](#)
- [Caravan](#)
- [Campervan](#)
- [Van Conversion](#)
- [SUV](#)
- [Garage](#)
- [Accessories](#)
- [Rear Boxes](#)
- [Comfort](#)
- [Rooflights](#)
- [Lighting](#)
- [Water](#)
- [Level Systems](#)
- [Organisation](#)
- [Safety](#)
- [Ladders](#)
- [Hygiene](#)
- [Vehicle Covers](#)
- [Miscellaneous](#)

## CARRY-BIKE

# Your bike, companion of travel.

The freedom to go wherever we want, without constraints, is the value that inspires all Fiamma products. We manufacture our bike carriers - 100% made in Italy - with high-quality and extremely durable materials, to ensure maximum safety in transport and the best performance over time, not forgetting protection and care for your bikes.

Each bike carrier is designed to be mounted on a specific category of vehicle: from motorhome to caravan, from campervan to van conversion and even off-road vehicle. Take your bike, load it on your Fiamma Carry-Bike and leave for your next adventure!

FIAMMASTORE

CARRY-BIKE

COMFORT

INFO

## CARRY-BIKE

# Selection guide

Every type of vehicle has its own Carry-Bike. How to choose the right one for you?

- Find the right model for your vehicle type
- Do you also transport E-bikes? Check that the bike carrier is suitable by looking for the corresponding symbol
- Select the model according to the maximum number of bicycles you wish to transport

### MOTORHOMES



– From page 76

Model	Bikes
PRO	
PRO M	2/4 max
PRO C	
PRO E-Bike	2 max
PRO C E-Bike	2 max
UL	2/3 max
CL	
LIFT 77	2/4 max
LIFT 77 E-Bike	2 max
PRO Hymer - Dethleffs	2/4 max
Autotrail	2 max
Pro C L80	2/4 max
Trigano - CI - Roller Team	2/3 max

### CARAVANS



– From page 84

Model	Bikes
Caravan Active	2/3 max
	2 E-Bike
Caravan XL A	2 max
Caravan XL A Pro	2/3 max
Caravan XL A Pro 200	
Caravan XL A Pro 200	2 max
Caravan XL A Pro 200 E-Bike	2 max
Caravan Hobby	2/3 max
Caravan Universal	2 max
Simple Plus 200	

### CAMPERVANS



– From page 88

Model	Bikes	Model	Bikes
VW T6 Pro		Mercedes Viano	2/3 max
VW T6		Mercedes Vito	
VW T5 Pro	2/4 max	Mercedes V Class Premium	2/4 max
VW T5		Mercedes V Class Lift E-Bike	2 max
VW T5 / T6 D	2 max	Opel Vivaro - Renault Trafic	2/4 max
VW Caddy	2/4 max	Ford Custom	2/3 max
VW T4		Ford Transit	2/3 max
VW T4 D	2 max	Renault Trafic D	2 max
VW T3 - T25	2/3 max	PSA	2/4 max
VW T2	2 max		

### VAN CONVERSIONS



– From page 96

Model	Bikes
Frame Ducato E-Bike	2 max
Frame Ducato 3 Bikes	2/3 max
Frame Sprinter E-Bike	2 max
Frame Sprinter 3 Bikes	2/3 max
Frame VW Crafter E-Bike	2 max
Frame VW Crafter 3 Bikes	2/3 max
200 D3 Ducato > 2006	
200 D3 Ducato < 2006	
200 D3 Sprinter > 2006	2 max
200 D	

## CARRY-BIKE

Why are our Carry-Bikes so safe?  
Here are the main elements you will find in the different models.

### SUV



- Page 100

Model	Bikes
Backpack	2/3 max
Backpack 4x4	2 max

### GARAGE

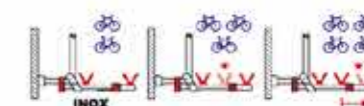


- From page 102

Model	Bikes
Garage Plus	2/4 max
Garage Standard	2/3 max
Garage Slide Pro Bike	2 max
Carry-Moto Pro	
Garage Pack	
Garage Pack Plus	
Carry-Moto	
Carry-Ramp	



**01 Telescopic rail support**  
Made of extruded round section, reinforced with AISI 304 stainless steel and 6060 aluminium. Can carry up to 4 bikes.



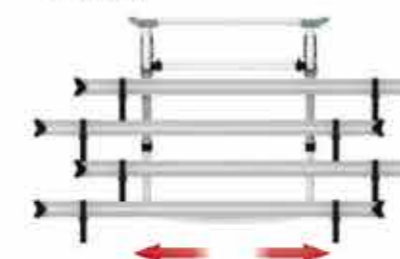
**02 Bull Shock Absorber**  
Device specially designed to absorb shock and vibrations during travel.



**03 Bike-Block / Bike-Block Pro S**  
Scratch-proof bicycle locking device, characterised by ease of use on all frames.



**04 Easy Position**  
System that allows the installation of offset rails to better organise the loading of bicycles.



**06 Quick Lock**  
Quick-Safe is the safety strap to safely mount and lock the wheels on the bike carrier rail. Easy release for immediate opening.



**07 Rack Holder**  
Rail support lock to ensure safe closing of the rail support base.



**05 Rails**  
With 3 models of wheel supports: robust, functional and safe.



FIAMMASTORE

CARRY-BIKE

COMFORT

INFO

- [Awnings](#)
- [Panels and Enclosures](#)
- [Bike Carriers](#)
- [Motorhome](#)
- [Caravan](#)
- [Campervan](#)
- [Van Conversion](#)
- [SUV](#)
- [Garage](#)
- [Accessories](#)
- [Rear Boxes](#)
- [Comfort](#)
- [Rooflights](#)
- [Lighting](#)
- [Water](#)
- [Level Systems](#)
- [Organisation](#)
- [Safety](#)
- [Ladders](#)
- [Hygiene](#)
- [Vehicle Covers](#)
- [Miscellaneous](#)

CARRY-BIKE

MOTORHOMES

## Pro Series

SUITABLE FOR MOTORHOMES



FROM 2 TO 4 BIKES  
E-BIKE MODELS AVAILABLE

This line of bike carriers is designed to be installed on the rear wall of the motorhome.

### FEATURES:

- Height-adjustable structure
- Available in E-Bike version
- Telescopic rail support base made of stainless steel AISI 304 and aluminium 6060 for models that carry up to 4 bikes
- Rail support base made of stainless steel AISI 304 and aluminium 6060 for models that carry 2 E-Bikes



**01 Telescopic rail support base**  
For transporting up to 4 bikes



**03 Rail Premium**  
With bicycle support block for tyres up to 2.8"



**02 Rail Quick Pro**  
For quick and secure locking of the wheel to the rail



**04 Bike Block**  
To securely lock the bike

### MODELS



#### PRO

Structure with adjustable height from 80 to 150 cm.



#### PRO M

Structure with adjustable height from 50 to 80 cm.



#### PRO C

Compact structure with adjustable height from 40 to 50 cm, ideal for vehicles with rear window.



#### PRO E-BIKE

E-Bike version of Pro model, with height-adjustable structure from 80 to 150 cm.



#### PRO C E-BIKE

E-Bike version of Pro C model, with height-adjustable structure from 40 to 50 cm.



### CHOOSE THE MODEL THAT SUITS YOU

Technical and commercial information on p.198

	Weight	Max. load	Bike	Rail type
Pro / Pro N**	8,4 kg			
Pro M / Pro M N**	8,5 kg		2 / 4 max.	Rail Quick Pro
Pro C / Pro C N**	7,9 kg	60,0 kg		
Pro E-Bike	10,4 kg		2 E-Bike	
Pro C E-Bike	9,9 kg			Rail Premium

\* The N versions are for vehicles equipped with original Fiamma brackets pre-installed.  
 \*\* Ask your retailer for availability and timing of blue plastic versions and N versions

### WHEELBASE



	Wheelbase A
Pro / Pro N / Pro E-Bike	80 - 150 cm
Pro M / Pro M N	50 - 80 cm
Pro C / Pro C N / Pro C E-Bike	40 - 50 cm

Pro Series



### KIT UPGRADE E-BIKE

If you already have a Fiamma Pro Series bike carrier, thanks to the E-Bike Upgrade Kit you can transform it into a bike carrier for your electric bike.





## L Series

SUITABLE FOR MOTORHOMES



FROM 2 TO 3 BIKES

Ultra-reliable, affordable and lightweight it installs easily on most motorhome models and allows you to carry up to three bicycles on the back of the vehicle.

**FEATURES:**

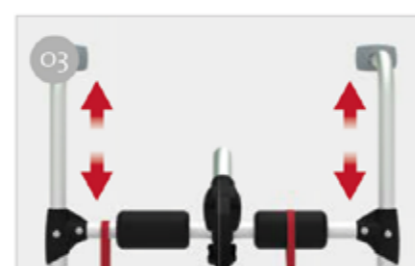
- Height-adjustable structure
- Aluminium 6060 rail support base light and resistant
- Lower fixing bar



**01 Rail Quick Pro**  
For quick and secure locking of the wheel to the rail



**02 Protective bumpers**  
To protect your bikes from



**03 Upper structure**  
Height adjustable



**04 Bike Block**  
To securely lock the bike

**MODELS**



**UL**

Anodised aluminium structure, height adjustable from 80 to 150 cm



**CL**

Compact aluminium structure, adjustable in height from 40 to 50 cm. Ideal for vehicles with rear window

**CHOOSE THE MODEL THAT SUITS YOU**

Technical and commercial information on p.198

	Weight	Wheelbase	Max. load	Bike	Rail type
UL *	5,6 kg	80-150 cm	50,0 kg	2 / 3 max	Rail Quick Pro
CL *		40-50 cm			

\* Ask your retailer for availability and timing of blue and grey plastic versions

- [Awnings](#)
- [Panels and Enclosures](#)
- [Bike Carriers](#)
- [Motorhome](#)
- [Caravan](#)
- [Campervan](#)
- [Van Conversion](#)
- [SUV](#)
- [Garage](#)
- [Accessories](#)
- [Rear Boxes](#)
- [Comfort](#)
- [Rooflights](#)
- [Lighting](#)
- [Water](#)
- [Level Systems](#)
- [Organisation](#)
- [Safety](#)
- [Ladders](#)
- [Hygiene](#)
- [Vehicle Covers](#)
- [Miscellaneous](#)



FIAMMASTORE

CARRY-BIKE

COMFORT

INFO



CARRY-BIKE

MOTORHOMES

## Lift 77

SUITABLE FOR MOTORHOMES



FROM 2 TO 4 BIKES  
E-BIKE MODELS AVAILABLE

One of the most practical models to use: the support rail lowers 77 cm for effortless loading and unloading of bicycles.

### FEATURES:

- Dropping support rail base that lowers by 77 cm thanks to the crank handle with magnetic hooking, the crank handle can be shortened
- Height-adjustable structure
- Available in E-Bike version



**01 Crank handle**  
With magnetic hooking, it can be shortened

**02 Dropping support rail**  
Lowers by 77 cm to load and unload bicycles effortlessly

**03 Rail Quick Pro**  
For quick and secure locking of the wheel to the rail

**04 Rail Premium**  
With bicycle support block for tyres up to 2.8"

### MODELS



**LIFT 77**



**LIFT 77 E-BIKE**

Lift 77



### CHOOSE THE MODEL THAT SUITS YOU

Technical and commercial information on p.199

	Weight	Wheelbase	Max. load	Bike	Rail type
Lift 77 *	16,3 kg	68 - 108 cm	50 kg	2 / 4 max	Rail Quick Pro
Lift 77 E-Bike	18,3 kg		60 kg	2	Rail Premium

\* Ask your retailer for availability and timing of blue plastic versions

- [Awnings](#)
- [Panels and Enclosures](#)
- [Bike Carriers](#)
- [Motorhome](#)
- [Caravan](#)
- [Campervan](#)
- [Van Conversion](#)
- [SUV](#)
- [Garage](#)
- [Accessories](#)
- [Rear Boxes](#)
- [Comfort](#)
- [Rooflights](#)
- [Lighting](#)
- [Water](#)
- [Level Systems](#)
- [Organisation](#)
- [Safety](#)
- [Ladders](#)
- [Hygiene](#)
- [Vehicle Covers](#)
- [Miscellaneous](#)



FIAMMASTORE

CARRY-BIKE

COMFORT

INFO

## Special Models

SUITABLE FOR MOTORHOMES



FROM 2 TO 4 BIKES

These bike carriers are designed to suit the characteristics of certain motorhome models, allowing them to be installed easily and safely.

**FEATURES:**

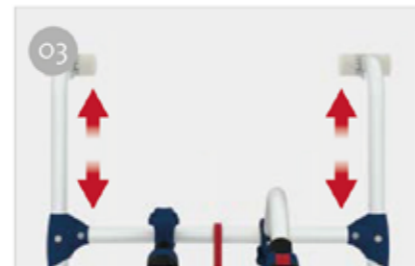
- Based on Pro, Pro C and CL
- Fast and safe installation
- Telescopic rail support base made of stainless steel AISI 304 and aluminium 6060 for models that carry up to 4 bikes
- Aluminium 6060 rail support base for models that carry 2 bikes



**01 Telescopic rail support base**  
For transporting up to 2, 3, 4 bikes depending on model



**02 Rail Quick Pro**  
For quick and secure locking of the wheel to the rail



**03 Upper structure**  
Height adjustable



**04 Bike Block**  
To securely lock the bike

**MODELS**



**PRO HYMER - DETHLEFFS**

Specific for Dethleffs motorhomes: upper attachment kit available to fit the brackets fitted as standard on the vehicle.



**PRO AUTOTRAIL**

Enlarged frame for installation on Autotrail motorhomes fitted with rear wheel moulding, from 2011 onwards. Only suitable for Autotrail vehicles with rounded rear wheel moulding and not the later hexagonal shaped mouldings.



**PRO C L80**

For Laika motorhomes, horizontal wheelbase 80 cm.



**TRIGANO - CI - ROLLER TEAM**

Only suitable for CI and Roller Team with attachments pre-installed on the vehicle.



**CHOOSE THE MODEL THAT SUITS YOU** Technical and commercial information on p. 199

	Weight	Max. load	Bike	Rail type
Pro Hymer - Dethleffs	8,2 kg	60,0 kg	2 / 4 max	Rail Quick Pro
Pro Autotrail	12,0 kg	40,0 kg	2	
Pro C L80	7,9 kg	60,0 kg	2 / 4 max	
Trigano - Ci - Roller Team	5,2 kg	50,0 kg	2 / 3 max	

**WHEELBASE**



	Wheelbase A
Pro Hymer - Dethleffs	90 - 135 cm
Pro Autotrail	80 - 150 cm
Pro C L80	40 - 50 cm
Trigano - Ci - Roller Team	38,5 cm

Special Models



**KIT DETHLEFFS** Technical and commercial information on p. 209

For Dethleffs motorhomes, the upper bracket kit is available, adaptable to the standard fitted brackets. To be used in combination with Pro Hymer-Dethleffs Carry-Bike.



- [Awnings](#)
- [Panels and Enclosures](#)
- [Bike Carriers](#)
- [Motorhome](#)
- [Caravan](#)
- [Campervan](#)
- [Van Conversion](#)
- [SUV](#)
- [Garage](#)
- [Accessories](#)
- [Rear Boxes](#)
- [Comfort](#)
- [Rooflights](#)
- [Lighting](#)
- [Water](#)
- [Level Systems](#)
- [Organisation](#)
- [Safety](#)
- [Ladders](#)
- [Hygiene](#)
- [Vehicle Covers](#)
- [Miscellaneous](#)

## Caravan: for the A-Frame

SUITABLE FOR CARAVANS



FROM 2 TO 3 BIKES  
E-BIKE MODELS AVAILABLE

The range of bike carriers for the front of the caravan can be installed on standard A-frame without the need to drill holes.

**FEATURES:**

- Installation without drilling holes on standard A-frames
- The Active version, with tensioning strap, allow quick access to the storage compartment
- The upper part pivots forward allowing access to the storage compartment even when bikes are mounted, only when bikes are not mounted for XL A model.
- Available two E-Bike versions



**01 Active - Tensioning strap**  
Makes access to the storage compartment easy and immediate



**03 Rail Premium**  
With bicycle support block for tyres up to 2.8"



**02 Rail Quick Pro**  
For quick and secure locking of the wheel to the rail



**04 Two-piece rail**  
Does not interfere with the caravan's parking systems

**MODELS**



**CARAVAN ACTIVE**

Thanks to the system with tensioning strap, access to the storage compartment is easy and quick. For transporting 2 E-Bikes or 3 standard bikes.



**CARAVAN XL A**

Compact and inexpensive, fits almost all Caravan frames (including Hobby and Al-Ko).



**CARAVAN XL A PRO**

Provided with reinforced bar, to carry 3 bikes.



**CARAVAN XL A PRO 200**

Equipped with the external rail in two pieces to grant maximum possibility of installation and use. Smaller size for short drawbars.



**CARAVAN XL A PRO 200 E-BIKE**

E-Bike version of the XL A Pro model



FIAMMASTORE

CARRY-BIKE

COMFORT

INFO

- [Awnings](#)
- [Panels and Enclosures](#)
- [Bike Carriers](#)
- [Motorhome](#)
- [Caravan](#)
- [Campervan](#)
- [Van Conversion](#)
- [SUV](#)
- [Garage](#)
- [Accessories](#)
- [Rear Boxes](#)
- [Comfort](#)
- [Rooflights](#)
- [Lighting](#)
- [Water](#)
- [Level Systems](#)
- [Organisation](#)
- [Safety](#)
- [Ladders](#)
- [Hygiene](#)
- [Vehicle Covers](#)
- [Miscellaneous](#)

**CHOOSE THE MODEL THAT SUITS YOU**

Technical and commercial information on p. 199-200

	Weight	Max. load	Bike	Rail type
Caravan Active <b>[Restyling]</b>	10,0 kg	50,0 kg	2 / 3 max 2 E-Bike	Rail Quick Pro
Caravan XL A	5,3 kg	35,0 kg	2	
Caravan XL A Pro	9,0 kg	50,0 kg	2 / 3 max	
Caravan XL A Pro Deep Black	9,0 kg	50,0 kg	2 / 3 max	Rail Quick Pro
Caravan XL A Pro 200	7,5 kg	50,0 kg	2	
Caravan XL A Pro 200 Deep Black	7,5 kg	50,0 kg	2	
Caravan XL A Pro 200 E-Bike	10,0 kg	60,0 kg	2 E-Bike	Rail Premium



## Caravan: for the rear wall

SUITABLE FOR CARAVANS



FROM 2 TO 3 BIKES

This special range of bike carriers is designed for mounting on the rear walls of caravans.

**FEATURES:**

- Two dedicated models and one to suit every need and requirement
- Aluminium 6060 rail support light and resistant



**01 Upper brackets**  
For attaching the bike carrier to the rear wall of your caravan



**03 Protective bumpers**  
To protect your bikes from scratches and impacts



**02 Rail Quick Pro**  
For quick and secure locking of the wheel to the rail



**04 Bike Block**  
To securely lock the bike



### SIMPLE PLUS 200

Suitable for mounting on caravans with thin and curved rear walls. Installed by using the existing wall reinforcement points. Telescopic frame.



### CARAVAN UNIVERSAL

This bike carrier is designed to be mounted on the supporting frame of the caravan (Bürstner, Chateau, etc.). The upper and lower brackets use self-tapping screws, so no through-holes are required. Telescopic frame. Adjustable from 100 to 180 cm.



### CARAVAN HOBBY

For mounting on the rear walls of Hobby caravans manufactured after 2003, under the rear window profile.



**CHOOSE THE MODEL THAT SUITS YOU**

Technical and commercial information on p. 200

	Weight	Wheelbase	Max. load	Bike	Rail type
Caravan Hobby	5,6 kg	101 cm	50,0 kg	2 / 3 max.	
Caravan Universal	7,5 kg	100 - 180 cm			Rail Quick Pro
Simple Plus 200	6,4 kg	110 - 145 cm	35,0 kg	2	



Caravans

- [Awnings](#)
- [Panels and Enclosures](#)
- [Bike Carriers](#)
- [Motorhome](#)
- [Caravan](#)
- [Campervan](#)
- [Van Conversion](#)
- [SUV](#)
- [Garage](#)
- [Accessories](#)
- [Rear Boxes](#)
- [Comfort](#)
- [Rooflights](#)
- [Lighting](#)
- [Water](#)
- [Level Systems](#)
- [Organisation](#)
- [Safety](#)
- [Ladders](#)
- [Hygiene](#)
- [Vehicle Covers](#)
- [Miscellaneous](#)



## VW T5 / T6 PRO

SUITABLE FOR CAMPERVANS



FROM 2 TO 4 BIKES

These bike carriers are designed to be fitted to VW T5, T6 and T6.1 minivans. The special shape leaves the lower part of the tailgate free.

**FEATURES:**

- You can open the tailgate with the Carry-Bike mounted without bikes
- Shaped rail support: third stop lamp always visible with bike carrier closed
- Solid anchorage to reinforced points of tailgate
- T6 Pro versions compatible with T6.1
- Suitable for vehicles with raised roof too
- Available Deep Black version for vw T6 Pro



**01 Upper brackets**  
Shaped to optimally follow the line of the vehicle



**02 Telescopic rail support**  
To fit up to 4 bikes



**03 Deep Black version**  
In painted aluminium



**04 Bike-Block Pro S D**  
Adjustable joint for high ease of use

VW T5/T6 Pro



**MODELS**



**VW T5 / T6 PRO**



**VW T6 PRO DEEP BLACK**

**CHOOSE THE MODEL THAT SUITS YOU**

Technical and commercial information on p. 201

	Vehicle compatibility	Weight	Max. load	Bike	Rail type
VW T5 Pro	VW T5 Transporter / Caravelle / Multivan / California (≥ 2003 ≤ 2014)				
VW T6 Pro	VW T6 Transporter / Caravelle / Multivan / California (≥ 2014)	14,0 kg	60,0 kg	2 / 4 max	Rail Premium
VW T6 Pro Deep Black					

**KIT UPGRADE T6 PRO**

Technical and commercial information on p. 205

Have you changed your vehicle and want to reuse your T5 Pro bike carrier on the new T6/T6.1? This practical solution allows you to adapt it to your new vehicle.



**WHAT YOU CAN ADD TO YOUR CARRY-BIKE**

Bike-Block

- See page 108

Rail

- See page 106

Accessories

- See page 110



- [Awnings](#)
- [Panels and Enclosures](#)
- [Bike Carriers](#)
- [Motorhome](#)
- [Caravan](#)
- [Campervan](#)
- [Van Conversion](#)
- [SUV](#)
- [Garage](#)
- [Accessories](#)
- [Rear Boxes](#)
- [Comfort](#)
- [Rooflights](#)
- [Lighting](#)
- [Water](#)
- [Level Systems](#)
- [Organisation](#)
- [Safety](#)
- [Ladders](#)
- [Hygiene](#)
- [Vehicle Covers](#)
- [Miscellaneous](#)

CARRY-BIKE

CAMPERVANS

## Campervan VW

SUITABLE FOR CAMPERVANS



FROM 2 TO 4 BIKES

For all Volkswagen campervan models, Fiamma has designed the perfect Carry-Bike. From Caddy to T2.

### FEATURES:

- All models allow the tailgate to be opened with the bike carrier mounted without bikes
- Telescopic rail support base made of stainless steel AISI 304 and aluminium 6060 for models that carry up to 4 bikes
- Aluminium 6060 rail support base for models that carry 2 bikes
- Available Deep Black version for VW T5/T6 D



**01 Upper brackets**  
Designed to follow the shape of the vehicle



**03 Rail Premium**  
With bicycle support block for tyres up to 2.8"



**02 Rail Quick Pro**  
For quick and secure locking of the wheel to the rail



**04 Bike Block**  
To securely lock the bike

### MODELS



#### VW T5 / T6

For Volkswagen T5 and T6 with single rear door. Suitable for vehicles with raised roof too.



#### VW T5 / T6 D

For Volkswagen T5 and T6 with double rear doors.

VW T5/T6



VW



#### VW CADDY

For VW Caddy ≥ 2016. The articulated upper structure allows an accurate adjustment of the position of the Bike-Blocks to secure the bikes while the practical lower tensioning system allows the Carry-Bike to be safely fixed to the vehicle.



#### VW T4

For Volkswagen T4 with single rear door.



#### VW T4 D

For Volkswagen T4 with double rear doors.



#### VW T3 (T25)

For Volkswagen T3 (T25) with single rear door.



#### VW T2

For Volkswagen T2 with single rear door.



FIAMMASTORE

CARRY-BIKE

COMFORT

INFO

- [Awnings](#)
- [Panels and Enclosures](#)
- [Bike Carriers](#)
- [Motorhome](#)
- [Caravan](#)
- [Campervan](#)
- [Van Conversion](#)
- [SUV](#)
- [Garage](#)
- [Accessories](#)
- [Rear Boxes](#)
- [Comfort](#)
- [Rooflights](#)
- [Lighting](#)
- [Water](#)
- [Level Systems](#)
- [Organisation](#)
- [Safety](#)
- [Ladders](#)
- [Hygiene](#)
- [Vehicle Covers](#)
- [Miscellaneous](#)

**CHOOSE THE MODEL THAT SUITS YOU**

Technical and commercial information on p. 201-202

	Vehicle compatibility	Weight	Max. load	Bike	Rail type
Caddy	VW Caddy / Caddy Maxi ≥ 2016 ≤ 2020	10,0 kg			
VW T5	VW T5 Transporter / Caravelle / Multivan / California (≥ 2003 ≤ 2014)	8,3 kg	60,0 kg	2 / 4 max	Rail Quick Pro
VW T6	VW T6 Transporter / Caravelle / Multivan / California (≥ 2014)	8,3 kg			
VW T5 D / T6 D	Versions for double rear door				
VW T5 D / T6 D Deep Black	VW T5 (≥ 2003 ≤ 2014) e T6 (≥ 2014) Transporter / Caravelle / Multivan	7,7 kg	35,0 kg	2	Rail Premium
VW T4	T4 (≥ 1990 ≤ 2003) also for models with lift roof	8,3 kg	60,0 kg	2 / 4 max	Rail Quick Pro
VW T4 D	Versions for double rear door. T4 (≥ 1990 ≤ 2003)	7,7 kg	35,0 kg	2	Rail Premium
VW T3 (T2S)	T3 (≥ 1979 ≤ 1990) also for models with lift roof	6,5 kg	50,0 kg	2 / 3 max	Rail Quick Pro
VW T2	T2 (≥ 1967 ≤ 1979) T2 Westfalia	7,0 kg	35,0 kg	2	

**KIT UPGRADE T6 / T6.1**

Have you changed your vehicle and want to reuse your T5 bike carrier on the new T6/ T6.1? Fiamma has thought of a cost-effective solution which allows this operation easily.



CARRY-BIKE

CAMPERVANS

Mercedes Campervan



## Mercedes Campervan

SUITABLE FOR CAMPERVANS



FROM 2 TO 4 BIKES  
E-BIKE MODEL AVAILABLE

The ideal bike carriers for the Mercedes campervan range, they can carry two bicycles.

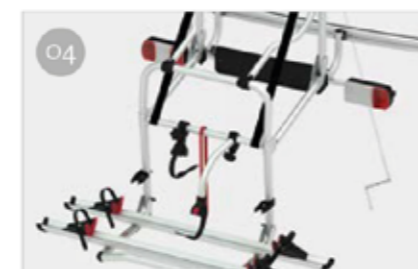
### FEATURES:

- All models allow the tailgate to be opened with the bike carrier mounted without bikes
- Mercedes V Class Lift E-Bike: equipped with dropping support rail



01 **Lighting board**  
To travel safely

02 **Stabilisation system**  
To increase the safety of your bike carrier



03 **Curved bottom fixing-bar**  
For greater adhesion to the tailgate

04 **Dropping support rail**  
Lowers by 77 cm to load and unload bicycles effortlessly

### MODELS



#### VITO

For vehicles with single rear door.



#### VIANO

For vehicles with single rear door, complete with lighting board.



#### V CLASS PREMIUM

For vehicles with single rear door, the rail support is mounted in the standard or lowered position. Lower version must be used with license plate bar with lights.



#### V CLASS LIFT E-BIKE

E-Bike version of V Class Premium for 2 bikes, with rail support base that drops by 77 cm. Complete with license plate bar with lights.



FIAMMASTORE

CARRY-BIKE

COMFORT

INFO

- [Awnings](#)
- [Panels and Enclosures](#)
- [Bike Carriers](#)
- [Motorhome](#)
- [Caravan](#)
- [Campervan](#)
- [Van Conversion](#)
- [SUV](#)
- [Garage](#)
- [Accessories](#)
- [Rear Boxes](#)
- [Comfort](#)
- [Rooflights](#)
- [Lighting](#)
- [Water](#)
- [Level Systems](#)
- [Organisation](#)
- [Safety](#)
- [Ladders](#)
- [Hygiene](#)
- [Vehicle Covers](#)
- [Miscellaneous](#)

**CHOOSE THE MODEL THAT SUITS YOU**

Technical and commercial information on p. 202

	Vehicle compatibility	Weight	Max. load	Bike	Rail type
Mercedes Viano	Mercedes Viano II series, Vito II series and Marco Polo II series with single rear door (≥ 2003 ≤ 2013)	10,0 kg	50,0 kg	2 / 3 max	Rail Quick Pro
Mercedes Vito	Mercedes Viano Vito I series and Marco Polo I series with single rear door (≥ 1996 ≤ 2003)	8,7 kg		2 / 4 max	
Mercedes V Class Premium *	Mercedes V Class III series, Vito III series and Marco Polo III series with a single tailgate (≥ 2014)	12,5 kg	60,0 kg		Rail Premium
Mercedes V Class Lift E-Bike		20,5 kg		2 E-Bike	

\* This version allows the installation of the rail support base in two different positions, one standard and one lower to make it easier to load the bikes. Lower version must be used with the License Plate Carrier, which has the license plate holder bar and regulation lights.

**SAFE MOUNTING**

In the Viano and Mercedes V Class versions, the upper structure of the bike carrier is screwed to the vehicle chassis through the holes provided by the parent company, avoiding any problems of incorrect positioning during installation.





## Campervans

SUITABLE FOR CAMPERVANS



FROM 2 TO 4 BIKES

Whatever your campervan, Fiamma has the solution for you.

**FEATURES:**

- Version dedicated to PSA group camper vans
- All models allow the tailgate to be opened with the bike carrier mounted without bikes
- Telescopic rail support base made of stainless steel AISI 304 and aluminium 6060 for models that carry up to 4 bikes
- Aluminium 6060 rail support base for models that carry 2 bikes



**01 Upper brackets**  
Designed to follow the shape of the vehicle



**03 Rail Quick Pro**  
For quick and secure locking of the wheel to the rail



**02 Rail Premium**  
With bicycle support block for tyres up to 2.8"



**04 Curved bottom fixing-bar**  
For greater adhesion to the tailgate

**MODELS**



**OPEL VIVARO - RENAULT TRAFIC**

For vehicles with single rear door. The licence plate carrier with control lighting is suggested.



**RENAULT TRAFIC D**

For vehicles with double rear door, structure allowing visibility of the third stop.



**FORD CUSTOM - NUGGET PLUS**

For vehicles with single tailgate and also for models with lift roof and raised roof. Adheres to the lower part of the tailgate thanks to the calendered profile that follows the shape of the vehicle.



**FORD TRANSIT**

For vehicles with single rear door



**PSA**

Adheres to the lower part of the tailgate thanks to the curved profile that follows the shape of the vehicle.



- [Awnings](#)
- [Panels and Enclosures](#)
- [Bike Carriers](#)
- [Motorhome](#)
- [Caravan](#)
- [Campervan](#)
- [Van Conversion](#)
- [SUV](#)
- [Garage](#)
- [Accessories](#)
- [Rear Boxes](#)
- [Comfort](#)
- [Rooflights](#)
- [Lighting](#)
- [Water](#)
- [Level Systems](#)
- [Organisation](#)
- [Safety](#)
- [Ladders](#)
- [Hygiene](#)
- [Vehicle Covers](#)
- [Miscellaneous](#)

**CHOOSE THE MODEL THAT SUITS YOU** Technical and commercial information on p. 202-203

	Vehicle compatibility	Weight	Max. load	Bike	Rail type
Opel Vivaro - Renault Trafic	Renault Trafic II series / Opel Vivaro A / Vauxhall Vivaro A / Nissan Primastar I-II series (≥ 2001 ≤ 2014 - H1)	8,7 kg	60,0 kg	2 / 4 max	Rail Quick Pro
Renault Trafic D *	Renault Trafic III series / Nissan NV300 / Fiat Talento (≥ 2014 - H1) Opel Vivaro B / Vauxhall Vivaro B (≥ 2014 ≤ 2018 - H1)	8,2 kg	35,0 kg	2	Rail Premium
Ford Transit	Ford Transit MK3-MK4-MK5-MK6-MK7 (≥ 2000 ≤ 2011 - H1)	7,1 kg			
Ford Custom - Nugget Plus [Restyling]	Ford Custom, Ford Transit Custom, Ford Tourneo Custom (≥ 2012 - H1) also for models with lift roof. Ford Transit Custom Nugget Plus (≥ 2012) Ford Transit Custom Nugget (≥ 2015) Ford Cap Land (≥ 2015) - Ford Cap Fan (≥ 2015 - ≤ 2018) - Ford Cap Coast (≥ 2018) - Ford Cap Life (≥ 2019) - H1	8,2 kg	50,0 kg	2 / 3 max	
PSA	Citroën Jumpy III gen. - Spacetourer ≥ 2016 - H1 Opel / Vauxhall Vivaro C - Zafira Life 2019 - Vivaro Life ≥ 2019 - H1				
PSA Deep Black	Peugeot Expert III gen. - Traveller ≥ 2016 - H1 Toyota ProAce II - ProAce Verso ≥ 2016 - H1 Also for models with lift roof	14,0 kg	60,0 kg	2 / 4 max	Rail Quick Pro

\* Version for vehicles with double rear doors.



## Frame

SUITABLE FOR VAN CONVERSIONS



FOR 2 E-BIKES OR 3 STANDARD BICYCLES

Thanks to their solid stainless steel frame, they allow you to transport your bikes safely using the vehicle's standard mounting points.

### FEATURES:

- Stainless steel AISI 304 rail support base
- Rear door opens even with bikes mounted
- Deluxe ladder can be mounted on the left tailgate
- Deep Black version available



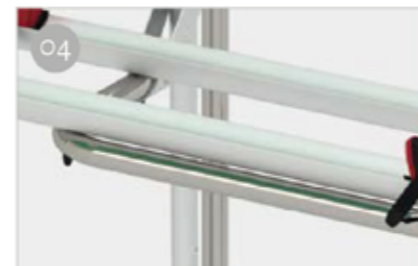
**01 Rail Premium**  
With bicycle support block for tyres up to 2.8"



**02 Rail Quick Pro**  
For quick and secure locking of the wheel to the rail



**03 Secure fastening**  
Using the hinges of the vehicle



**04 Stainless steel rail support base**  
For supporting up to 3 standard bikes or 2 E-Bikes

### MODELS

E-Bike



new  
20  
22

#### FRAME SPRINTER E-BIKE

To carry 2 E-Bikes for Mercedes Sprinter ≥ 2018 - high roof and super high, allows mounting of the rail support in 3 positions: standard, middle and low\*.

E-Bike



#### FRAME DUCATO E-BIKE

To carry 2 E-Bikes for Fiat Ducato, Citroën Jumper, Peugeot Boxer, allows mounting of the rail support in 3 positions: standard, middle and low\*. Also suitable for vehicles with protruding windows.

E-Bike



#### FRAME VW CRAFTER E-BIKE

To carry 2 E-Bikes. For VW Crafter II gen. and MAN TGE. It allows mounting of the rail support in 3 positions: standard, middle and low\*.



new  
20  
22

#### FRAME SPRINTER 3 BIKES

To carry 3 bikes for Mercedes Sprinter ≥ 2018 - high roof and super high, allows mounting of the rail support in 3 positions: standard, middle and low\*.



#### FRAME DUCATO 3 BIKES

To carry 3 bikes for Fiat Ducato, Citroën Jumper, Peugeot Boxer, allows mounting of the rail support in 3 positions: standard, middle and low\*. Also suitable for vehicles with protruding windows.



#### FRAME CRAFTER 3 BIKES

To carry 3 bikes. For VW Crafter II gen. and MAN TGE. It allows mounting of the rail support in 3 positions: standard, middle and low\*.



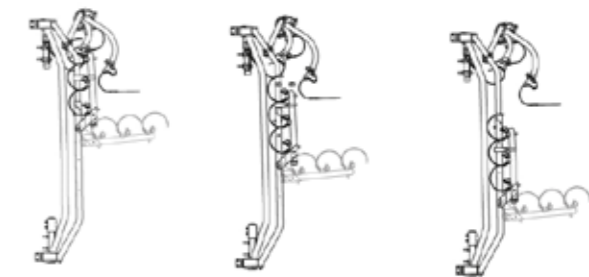
- [Awnings](#)
- [Panels and Enclosures](#)
- [Bike Carriers](#)
- [Motorhome](#)
- [Caravan](#)
- [Campervan](#)
- [Van Conversion](#)
- [SUV](#)
- [Garage](#)
- [Accessories](#)
- [Rear Boxes](#)
- [Comfort](#)
- [Rooflights](#)
- [Lighting](#)
- [Water](#)
- [Level Systems](#)
- [Organisation](#)
- [Safety](#)
- [Ladders](#)
- [Hygiene](#)
- [Vehicle Covers](#)
- [Miscellaneous](#)

### CHOOSE THE MODEL THAT SUITS YOU

Technical and commercial information on p. 203-204

### RAIL SUPPORT BASE POSITION

	Vehicle compatibility	Weight	Max. load	Bike	Rail type
Frame Ducato E-Bike <b>[Restyling]</b>	Fiat Ducato III-IV series / Citroen Jumper II-III series / Peugeot Boxer II-III series (≥ 2006 - H2/H3) Not suitable for vehicles with 270° hinge system	21 kg		2 E-Bike	Rail Premium
Frame Ducato E-Bike Deep Black <b>[Restyling]</b>					
Frame Ducato 3 Bikes <b>[Restyling]</b>				3	Rail Quick Pro
Frame Ducato 3 Bikes Deep Black <b>[Restyling]</b>					
Frame VW Crafter E-Bike <b>[Restyling]</b>	VW Crafter II series / MAN TGE (≥ 2017 - H3) Not suitable for vehicles with 270° hinge system		50,0 kg	2 E-Bike	Rail Premium
Frame VW Crafter E-Bike Deep Black <b>[New]</b>					
Frame VW Crafter 3 Bikes <b>[Restyling]</b>				3	Rail Quick Pro
Frame VW Crafter 3 Bikes Deep Black <b>[New]</b>					
Frame Sprinter E-Bike <b>[New]</b>	Mercedes Sprinter ≥ 2018 - high roof and super high roof	19,9 kg		2 E-Bike	Rail Premium
Frame Sprinter E-Bike Deep Black <b>[New]</b>					
Frame Sprinter 3 Bikes <b>[New]</b>				3	Rail Quick Pro
Frame Sprinter 3 Bikes Deep Black <b>[New]</b>					



Standard rail support base (143 cm)    Midway rail support base (125 cm)    Lower rail support base (107 cm)

Frame Ducato



Frame Crafter





## Van conversions

SUITABLE FOR VAN CONVERSIONS



FOR 2 BIKES

These bike carriers are installed on the right-hand door of the vehicle, leaving the left-hand door free for the possible installation of a Deluxe ladder to access the roof of the vehicle.

**FEATURES:**

- Installation with Fixing Bar for Ducato and Sprinter/ Crafter versions
- Solid and light aluminium 6060 structure
- Deep black version for CB 200 DJ Ducato and 200 DJ Sprinter/Crafter
- Rear door opens even with bikes mounted



**01 Fixing Bar**  
For fast and safe mounting

**02 Rail Premium**  
For quick and safe mounting of  
tyres up to 2.8"

**03 Rail Quick Pro**  
For quick and secure locking of  
the wheel to the rail

**04 Deep Black version**  
In painted aluminium

**MODELS**



### 200 DJ DUCATO > 2006

For right rear door, mounting with Fixing Bar. Allows mounting of the rail support in 3 positions: standard, middle and low (for the last two, the license plate bar with lights must be used.)



### 200 DJ DUCATO < 2006

For right rear door, mounting with Fixing Bar, equipped with Rail Premium.



### 200 DJ SPRINTER / CRAFTER

For right rear door, mounting with Fixing Bar, equipped with Rail Premium.



### 200 D

For van conversions with double rear doors, wheelbase variable from 58 to 62cm to adapt to different rear doors. Vertical wheelbase from 90 to 118 cm.



- [Awnings](#)
- [Panels and Enclosures](#)
- [Bike Carriers](#)
- [Motorhome](#)
- [Caravan](#)
- [Campervan](#)
- [Van Conversion](#)
- [SUV](#)
- [Garage](#)
- [Accessories](#)
- [Rear Boxes](#)
- [Comfort](#)
- [Rooflights](#)
- [Lighting](#)
- [Water](#)
- [Level Systems](#)
- [Organisation](#)
- [Safety](#)
- [Ladders](#)
- [Hygiene](#)
- [Vehicle Covers](#)
- [Miscellaneous](#)

CHOOSE THE MODEL THAT SUITS YOU Technical and commercial information on p. 204

	Vehicle compatibility	Weight	Max. load	Bike	Rail type
200 DJ Ducato > 2006 *	Fiat Ducato III-IV series / Citroën Jumper II-III series / Peugeot Boxer II-III series (≥ 2006 - H2/H3)	11,0 kg			Rail Quick Pro
200 DJ Ducato > 2006 Deep Black *					
200 DJ Ducato < 2006	Fiat Ducato II series / Citroën Jumper I series / Peugeot Boxer I series (≥ 2000 ≤ 2006 - H2) / Mercedes Sprinter I series / Mercedes Benz T1N (≥ 1995 ≤ 2006 - H2)				
200 DJ Sprinter / Crafter > 2006	Mercedes Sprinter II series / Freightliner Sprinter / Dodge Sprinter (≥ 2006 ≤ 2018 - H2) / VW Crafter I gen. (≥ 2006 ≤ 2016 - H2)	9,0 kg	35,0 kg	2	
200 DJ Sprinter / Crafter > 2006 Deep Black	Mercedes Sprinter III series / Freightliner Sprinter / Dodge Sprinter (≥ 2018 - H2)				Rail Premium
200 D	Fiat Ducato I series / Citroën C25 / Peugeot J5 (≥ 1981 ≤ 1994 - H1/H2) / Fiat Ducato II series / Peugeot Boxer I series / Citroën Jumper I series (≥ 1994 ≤ 1999 - H2) / Ford Transit MK3-MK4-MK5-MK6-MK7 (≥ 1987 ≤ 2014 - H1/H2/H3) / Ford Transit MK8 (≥ 2014 - H3)	6,9 kg			

\* In the intermediate and lowered positions it is necessary to use the licence plate holder bar with lighting group Licence Plate Carrier

CARRY-BIKE

SUV

SUV



## SUV

SUITABLE FOR SUV



UP TO 3 BIKES

Thanks to the fixing strap, these simple and effective bike carriers fit perfectly in SUVs, off-road vehicles and cars.

### FEATURES:

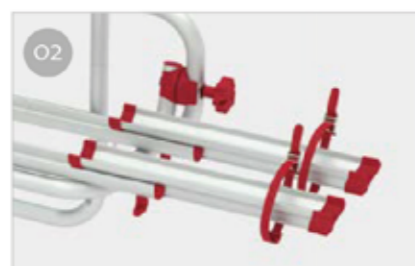
- Aluminium 6060 rail support solid and light
- Fastening straps for maximum freedom of fastening on the vehicle (except fibreglass)



**01 Rail Quick C**  
Telescopic and adjustable



**03 Fixing straps**  
For maximum freedom of attachment to the vehicle



**02 Rail Quick C Strip**  
Telescopic and adjustable



**04 Bike Block**  
To securely lock the bike

### MODELS



#### BACKPACK

The Carry-Bike with universal straps is easily installed on all minivans. Not suitable for fibreglass rear doors. No tools are required for installation, 6 superior Heavy Duty Quick Lock straps secure the bike carrier to the vehicle.



#### BACKPACK 4x4

Bike carrier for SUV with rapid installation to the rear spare tyre thanks to the sturdy straps. Before mounting remove the rigid cover of the spare tyre.

### CHOOSE THE MODEL THAT SUITS YOU

Technical and commercial information on p. 204-205

	Weight	Max. load	Bike	Rail type
Backpack	8,0 kg	50,0 kg	2 / 3 max	Rail Quick C
Backpack 4x4	7,8 kg	35,0 kg	2	Rail Strip C



- [Awnings](#)
- [Panels and Enclosures](#)
- [Bike Carriers](#)
- [Motorhome](#)
- [Caravan](#)
- [Campervan](#)
- [Van Conversion](#)
- [SUV](#)
- [Garage](#)
- [Accessories](#)
- [Rear Boxes](#)
- [Comfort](#)
- [Rooflights](#)
- [Lighting](#)
- [Water](#)
- [Level Systems](#)
- [Organisation](#)
- [Safety](#)
- [Ladders](#)
- [Hygiene](#)
- [Vehicle Covers](#)
- [Miscellaneous](#)

## Garage

SUITABLE FOR MOTORHOMES



FROM 2 TO 4 BIKES

The locker of your motorhome is the perfect place to store your bikes and transport them safely: just install the special Fiamma Carry-Bike!

**FEATURES:**

- Different models of bike carriers to install in the garage facility to transport from 2 up to 4 bikes safely
- Easy to install

**MODELS**



**GARAGE PLUS**

Fixes to the floor. With optional accessories it can carry up to 4 bikes. When not in use, it folds up and takes up only 22 cm.



**GARAGE STANDARD**

Bike carrier with lower section fastened to the floor and Bike-Block fixed to the wall or to the roof. When folded it gives more floor space, it carries up to 3 bikes.



**GARAGE SLIDE PRO-BIKE**

Anodized aluminium 6060 sliding bike carrier for the motorhome garage. Height adjustable. or transporting 2 E-Bikes or 2 standard bikes.



**GARAGE PACK-PLUS**

Complete kit with fixing structure for bikes and Organizer line storage.



**GARAGE PACK**

Simple and flexible modular system for storing bikes in the motorhome storage compartment.



**CHOOSE THE MODEL THAT SUITS YOU**

Technical and commercial information on p.205

	Weight	Max. load	Bike	Rail type
Garage Plus	5,6 kg	60,0 kg	2 / 4 max	Rail Quick Pro
Garage Standard	4,8 kg	50,0 kg	2 / 3 max	Rail Strip Pro
Garage Slide Pro-Bike	9,9 kg	-	2 standard / 2 E-Bike	-
Garage Pack Plus	10,5 kg	-	2 / 3 max	Rail Strip Pro
Garage Pack	4,0 kg	-	-	-

Garage



- [Awnings](#)
- [Panels and Enclosures](#)
- [Bike Carriers](#)
- [Motorhome](#)
- [Caravan](#)
- [Campervan](#)
- [Van Conversion](#)
- [SUV](#)
- [Garage](#)
- [Accessories](#)
- [Rear Boxes](#)
- [Comfort](#)
- [Rooflights](#)
- [Lighting](#)
- [Water](#)
- [Level Systems](#)
- [Organisation](#)
- [Safety](#)
- [Ladders](#)
- [Hygiene](#)
- [Vehicle Covers](#)
- [Miscellaneous](#)



CARRY-BIKE

GARAGE

## Moto

SUITABLE FOR MOTORHOMES AND VAN CONVERSIONS



Motorbike carrier systems ideal for installation in motorhomes with garage facilities or on vans.

FEATURES:

- Adaptable to different types of vehicles
- Easy to install



### CARRY-MOTO

Motorbike-carrier in aluminium for garage. The chute connects easily onto the main structure to facilitate loading of the motorbike. Supplied as standard with 2 click strips.



### MOTO WHEEL CHOCK FRONT

Wheel chock for front wheel. Complete with kit for fixing on wood surfaces. Supplied as standard with 2 click strips.



### CARRY-MOTO PRO

Motorbike-carrier in aluminium for garage. The pull-out chute is coated with an anti-slip band. Supplied as standard with 2 click strips. Height adjustable.



### MOTO WHEEL CHOCK REAR

Wheel chock for rear wheel. The fixing knobs allow the motorbike to be locked quickly and safely. Supplied as standard with rails for floor fixing.

Moto



### CARRY-RAMP

Motorbike aluminium ramp, suitable for motorhome doors or on the floor of the garage facility.



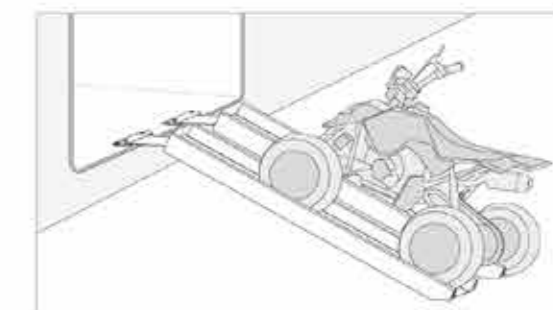
**CHOOSE THE MODEL THAT SUITS YOU**

Technical and commercial information on p. 206

	Weight	Max. load	Chute extension	Max. wheel width
Carry-Moto	12,2 kg	200,0 kg	180 cm	14 cm
Carry-Moto Pro	15,4 kg	200,0 kg	155 cm	16 cm
Carry-Ramp	7,0 kg	130,0 kg	175 cm	15 cm
Moto Wheel Chock Front	2,4 kg	-	-	18 cm
Moto Wheel Chock Rear	2,8 kg	-	-	15 cm

**CARRY-RAMP**

By combining two pieces of the Carry-Ramp you can create a system of ramps to load quads, powered wheelchairs or wheelchairs.



- [Awnings](#)
- [Panels and Enclosures](#)
- [Bike Carriers](#)
- [Motorhome](#)
- [Caravan](#)
- [Campervan](#)
- [Van Conversion](#)
- [SUV](#)
- [Garage](#)
- [Accessories](#)
- [Rear Boxes](#)
- [Comfort](#)
- [Rooflights](#)
- [Lighting](#)
- [Water](#)
- [Level Systems](#)
- [Organisation](#)
- [Safety](#)
- [Ladders](#)
- [Hygiene](#)
- [Vehicle Covers](#)
- [Miscellaneous](#)

## Rail

SUITABLE FOR MOTORHOMES, CARAVANS, VAN CONVERSIONS AND CAMPERVANS, 4x4, SUV



Choose the fitting rail model that best suits your bike and your needs: they fit all Carry-Bike models!

Rail



### RAIL QUICK PRO

Sturdy rail with reinforced base delivered with Quick-Safe straps. Available in 2 variants: anodised and Deep Black. It is interchangeable with the previous Rail Quick version.



Anodised

Deep Black



### RAIL STRIP PRO

Sturdy rail with reinforced base. Complete with 2 sliding straps. It is interchangeable with the previous Rail Strip version.



Anodised



### RAIL QUICK C

Telescopic rail that can be adjusted to the desired extension, with 2 Quick-Safe straps. Ideal to limit rail overhang. It can be installed on almost all Carry-Bikes.



Anodised



### RAIL PREMIUM / PREMIUM XL

Rail with increased structure size, with sliding bike-lock support, for quicker and more practical fixing. The XL version is 139 cm longer and is suited for particularly long E-Bikes and bikes with wheelbase greater than 125 cm



Anodised

Deep Black



### RAIL PREMIUM S

Rail with increased structure size sliding on the Carry-Bike rail support, it can move in both direction and has adjustable centre-to-centre distance.



Anodised

Deep Black



### RAIL PREMIUM S FAT BIKE

Model based on Premium S rail for transporting modern Fat Bikes with tyres up to 4,8" wide. Comfortable 40cm strap with fast and safe ratchet coupling.



Anodised

Deep Black

CHOOSE THE MODEL THAT SUITS YOU

Technical and commercial information on p. 208

	Colour	Length	Right/Left sliding	Forward-back sliding	Weight
Rail Quick Pro	Anodised / Deep Black	128 cm	●	●	1,0 kg
Rail Strip Pro	Anodised	128 cm	●	●	1,0 kg
Rail Quick C	Anodised	89-150 cm	●	●	1,2 kg
Rail Premium		128 cm	●	●	1,3 kg
Rail Premium XL		139 cm	●	●	1,9 kg
Rail Premium S	Anodised / Deep Black	128 cm	●	●	1,7 kg
Rail Premium S Fat Bike		128 cm	●	●	2,0 kg
Kit Rail Premium 48		47,5 cm	●	●	1,2 kg

● Standard ● Using Premium S Kit



**KIT PREMIUM S**

Turn Quick and Premium rails into Premium S rails. Quick installation by removing the standard hooks. Now rails can slide horizontally, to be adapted to the dimensions of the different bikes.



2x

**KIT RAIL PREMIUM 48**

Optional fourth two-part rail for the Carry-Bike VW T5 Pro and T6 Pro models.



Anodised Deep Black

- [Awnings](#)
- [Panels and Enclosures](#)
- [Bike Carriers](#)
- [Motorhome](#)
- [Caravan](#)
- [Campervan](#)
- [Van Conversion](#)
- [SUV](#)
- [Garage](#)
- [Accessories](#)
- [Rear Boxes](#)
- [Comfort](#)
- [Rooflights](#)
- [Lighting](#)
- [Water](#)
- [Level Systems](#)
- [Organisation](#)
- [Safety](#)
- [Ladders](#)
- [Hygiene](#)
- [Vehicle Covers](#)
- [Miscellaneous](#)

CARRY-BIKE

ACCESSORIES

## Bike-Block Pro S

SUITABLE FOR MOTORHOMES, CARAVANS, VAN CONVERSIONS, CAMPERVANS, 4x4, SUV



The Fiamma system to secure your bike to the Carry-Bike during transport. Thanks to the adjustable joint, it adapts to all types of bicycles. It is equipped with a secure holding device with clamp and anti-scratch rubber insert and anti-theft safety loop.

### FEATURES:

- Improved ergonomics thanks to frontally-positioned knob
- Integrated scratch-proof support base with rubber protection for integrated bike hooking
- The clamp and the bike locking system can rotate 360°
- In D versions, the practical central joint makes hooking the bikes even simpler
- Aluminium tube curved to make it easier to attach the bike



**01 Bike support base**  
For round or oval tubes  
Ø 25 - 100 mm.

**02 Safety buttonhole**  
To use an anti-theft cable  
when fixing the bikes

**03 360° rotation**  
The clamp and bicycle  
locking system can rotate  
360°

**04 Fixing knob**  
In front position, always  
within easy reach.

**05 Aluminium tube**  
Curved to make it easier to  
attach the bike Ø 30 mm

**06 Locking clamp**  
For Ø 28 - 35 mm pipes

### CHOOSE THE MODEL THAT SUITS YOU



**BIKE-BLOCK PRO S 1**



**BIKE-BLOCK PRO S 2**



**BIKE-BLOCK PRO S 3**



**BIKE-BLOCK PRO S 4**



**BIKE-BLOCK PRO S D1**



**BIKE-BLOCK PRO S D2**



**BIKE-BLOCK PRO S D3**

Bike-Block Pro S



	Colour	Weight		Colour	Weight
Bike-Block Pro S 1	Anodised	0,2 kg	Bike-Block Pro S D1	Anodised / Deep Black	0,6 kg
Bike-Block Pro S 2		0,3 kg	Bike-Block Pro S D2		0,7 kg
Bike-Block Pro S 3		0,4 kg	Bike-Block Pro S D3	Anodised	0,8 kg
Bike-Block Pro S 4		0,5 kg			

## Bike-Block Pro

SUITABLE FOR MOTORHOMES, CARAVANS, VAN CONVERSIONS, CAMPERVANS, 4x4, SUV



Thanks to the adjustable joint, it can be adapted to any type of bike.

Equipped with a secure hold system with clamp and anti-scratch rubber insert.

**FEATURES:**

- The clamp and the bike locking system can rotate 360°
- In D versions, the practical central joint makes hooking the bikes even simpler
- Aluminium tube curved to make it easier to attach the bike



**01 Bike support base**  
For round or oval tubes  
Ø 25 - 100 mm

**02 360° rotation**  
The clamp and bicycle locking system can rotate 360°

**03 Aluminium tube**  
Curved to make it easier to attach the bike Ø 30 mm

**04 Fixing knob**  
To lock the Bike-Block to the Carry-Bike

**05 Locking clamp**  
For Ø 28 - 35 mm pipes

**CHOOSE THE MODEL THAT SUITS YOU**



**BIKE-BLOCK PRO 1**



**BIKE-BLOCK PRO 2**



**BIKE-BLOCK PRO 3**



**BIKE-BLOCK PRO 4**

Bike-Block Pro



**BIKE-BLOCK PRO D1**



**BIKE-BLOCK PRO D2**



**BIKE-BLOCK PRO D3**

	Colour	Weight
Bike-Block Pro 1	Anodised	0,2 kg
Bike-Block Pro 2		0,3 kg
Bike-Block Pro 3		0,4 kg
Bike-Block Pro 4		0,5 kg

	Colour	Weight
Bike-Block Pro D1	Anodised	0,6 kg
Bike-Block Pro D2		0,7 kg
Bike-Block Pro D3		0,8 kg



CARRY-BIKE

ACCESSORIES

## Locking System

SUITABLE FOR MOTORHOMES, CARAVANS, VAN CONVERSIONS, CAMPERVANS, 4x4, SUV



Are you ready for a particularly adventurous trip? Secure your bikes with these securing systems, suitable for both Fiamma Carry-Bike and other bike carrier brands.

Locking System



+ CHOOSE THE MODEL THAT SUITS YOU



### QUICK-SAFE

Sliding strap for locking the wheel to the rail, equipped with an immediate release button. Can be installed only on original Fiamma reinforced rails. Pack of 1 piece.



### STRIP

Kit of 2 strips, 39 cm long, with stainless steel AISI 304 buckle suitable for almost all bike carrier brands. Pack of 2 pieces.



### SECURITY STRIP

200 cm security strip, with stainless steel AISI 304 buckle, 200 cm long and 1.3 cm wide. Suitable for all bike carriers. Pack of 1 piece.



### BIKE FRAME ADAPTER

Additional aluminium 6060 bar for easy fixing of bikes without standard centre bar, ladies' bikes and BMXs.



### CABLE-LOCK

Anti-theft plastic-coated 250 cm steel cable, with incorporated padlock. Delivered as standard with 2 keys. Pack of 1 piece.

CHOOSE THE MODEL THAT SUITS YOU

	Weight
Quick-Safe	0,1 kg
Strip Red	0,1 kg
Strip Black	0,1 kg
Security Strip	0,1 kg
Bike frame Adapter	0,5 kg
Cable-lock	0,1 kg

Technical and commercial information on p. 206

- [Awnings](#)
- [Panels and Enclosures](#)
- [Bike Carriers](#)
- [Motorhome](#)
- [Caravan](#)
- [Campervan](#)
- [Van Conversion](#)
- [SUV](#)
- [Garage](#)
- [Accessories](#)
- [Rear Boxes](#)
- [Comfort](#)
- [Rooflights](#)
- [Lighting](#)
- [Water](#)
- [Level Systems](#)
- [Organisation](#)
- [Safety](#)
- [Ladders](#)
- [Hygiene](#)
- [Vehicle Covers](#)
- [Miscellaneous](#)

## Installation Kit

SUITABLE FOR MOTORHOMES, CARAVANS, VAN CONVERSIONS, CAMPERVANS, 4x4, SUV



Mounting bars and accessories to install your Fiamma Carry-Bike on your vehicle. Choose the one best suited to your vehicle and bike carriers!

Installation Kit



### LICENCE PLATE CARRIER

Licence plate carrier bar in aluminium with regulation lights and 13-pole socket for quick connection to the vehicle's electrical system.

It is used when the rail support covers the lights and the licence plate of the vehicle. The bar turns 90° to be positioned correctly even when the rail support is folded up.

### ADD TO YOUR CARRY-BIKE

Technical and commercial information on p. 206 and 209



### FIXING-BAR CARRY-BIKE

Pair of 240 cm long reinforcement bars ideal for vehicles with rear walls not equipped with internal reinforced points.



### SUPPORT BAR KIT

Kit of two pre-drilled anodized aluminium bars to fix the bike carrier to the walls of motorhomes. Complete with through screws, internal fixing brackets and end caps for more flexibility of installation: the screws can slide over the bar to be adjusted to the different wheel bases.



### DUST GUARD

Guard to prevent the accumulation of debris inside the Fixing-Bar.

### CHOOSE THE MODEL THAT SUITS YOU

	Weight	Colour	Length
Fixing-Bar Carry Bike	5,5 kg	Anodised	240 cm
Kit Support Bar	1,2 kg	Anodised	74 cm
Licence Plate Carrier	2,4 kg	Anodised / Deep Black	131 cm
Dust Guard	0,3 kg	Black	240 cm



## Bike covers and accessories

SUITABLE FOR MOTORHOMES AND CARAVANS



FROM 2 TO 4 BIKES

Protect your bikes with the range of lightweight, water-proof polyester reinforced resin bike covers.

**FEATURES:**

- Bi-colour finish
- S and Premium S versions are equipped with a transparent material pocket, with Velcro, to insert the protruding load sign



### BIKE COVER S

Closure with elastic band at the bottom and metal hooks. Delivered with transparent pocket for protruding load signs.



### BIKE COVER PREMIUM S

For complete bike protection. Closes with side zipper and rear Velcro. Delivered with transparent pocket for protruding load signs



### EASY DRY

Practical drying rack for installation on the support rail of the bike rack. The foldable structure makes it possible to travel with the drying rack mounted.



### ALU SIGNAL

Type-approved sign, in light aluminium, for signalling protruding loads. Mandatory in Italy. Dimensions: 50x50 cm.



### PLASTIC SIGNAL

Non type-approved plastic sign for signalling protruding loads, with four reflectors. Dimensions: 50x50 cm.

CARRY-BIKE

ACCESSORIES



### BIKE COVER CARAVAN

Specific for bike carriers mounted on the A-frame of caravans. It is placed on top of the bikes already mounted on the rail support. The closure is of the drawstring type with a cable clip.

Bike Cover



Easy Dry



Warning Signals for protruding loads



CHOOSE THE MODEL THAT SUITS YOU

	Bikes covered	Vehicle type	Closing system
Bike Cover S	2 / 3		Elastic band with hooks
Bike Cover Premium S	4	Motorhome	Zippers
Bike Cover Caravan	2	Caravan	Elastic band with lock
	Material	Dimensions	Weight
Easy Dry		100x60 cm	1,2 kg
Alu Signal	Aluminium	50x50 cm	0,2 kg
Plastic Signal	Plastic	50x50 cm	0,7 kg



FIAMMASTORE

CARRY-BIKE

COMFORT

INFO

- [Awnings](#)
- [Panels and Enclosures](#)
- [Bike Carriers](#)
- [Motorhome](#)
- [Caravan](#)
- [Campervan](#)
- [Van Conversion](#)
- [SUV](#)
- [Garage](#)
- [Accessories](#)
- [Rear Boxes](#)
- [Comfort](#)
- [Rooflights](#)
- [Lighting](#)
- [Water](#)
- [Level Systems](#)
- [Organisation](#)
- [Safety](#)
- [Ladders](#)
- [Hygiene](#)
- [Vehicle Covers](#)
- [Miscellaneous](#)

## Rear boxes

SUITABLE FOR MOTORHOMES AND CARAVANS



The Fiamma rear luggage boxes are installed on top of the bike carrier support rail with the kit already included. They are ultra-resistant to impacts and weather conditions.

### FEATURES:

- In ABS or strong tear-resistant polyester
- Three dimensions: from 300 to 500 litres
- The Cargo-Back soft luggage bag is equipped with a transparent material pocket, with Velcro, to insert the protruding load sign.



Ultra-Box 320



Ultra-Box 360



Ultra-Box 500

### ULTRA-BOX

Made of high resistance ABS to last over time. With stainless steel closing lock and key and internal aluminium profile it is also equipped with a net to secure the transported items. Available with 320, 360 and 500-litre capacities. Can only be installed on Carry Bikes for motorhomes.

Rear boxes



### CARGO BACK

Soft luggage bag made of waterproof and tear-resistant polyester. Delivered with transparent pocket for protruding load signs. Ideal for transporting chairs, camping equipment or sporting goods. Quick attach and remove system.



### KIT FRAME CARGO BACK

Aluminium tube and plastic structure to be inserted inside the Cargo Back to keep it tensioned in any load situation.

## CARRY-BIKE

## ACCESSORIES

### CHOOSE THE MODEL THAT SUITS YOU

Technical and commercial information on p. 209.

	Volume	External dimensions	Internal dimensions	Weight
Ultra-Box 320	320 l	100x53x70 cm	88,5x46x62 cm	12,0 kg
Ultra-Box 360	360 l	147x38x70 cm	133,5x30x58 cm	14,0 kg
Ultra-Box 500	500 l	147x53x70 cm	133,5x46x62 cm	17,0 kg
Cargo Back	285 l	120x70x35 cm	-	1,4 kg
Kit Frame Cargo Back	-	119x69x32 cm	-	1,2 kg



FIAMMASTORE

CARRY-BIKE

COMFORT

INFO

- [Awnings](#)
- [Panels and Enclosures](#)
- [Bike Carriers](#)
- [Motorhome](#)
- [Caravan](#)
- [Campervan](#)
- [Van Conversion](#)
- [SUV](#)
- [Garage](#)
- [Accessories](#)
- [Rear Boxes](#)
- [Comfort](#)
- [Rooflights](#)
- [Lighting](#)
- [Water](#)
- [Level Systems](#)
- [Organisation](#)
- [Safety](#)
- [Ladders](#)
- [Hygiene](#)
- [Vehicle Covers](#)
- [Miscellaneous](#)



COMFORT

- [Awnings](#)
- [Panels and Enclosures](#)
- [Bike Carriers](#)
- [Motorhome](#)
- [Caravan](#)
- [Campervan](#)
- [Van Conversion](#)
- [SUV](#)
- [Garage](#)
- [Accessories](#)
- [Rear Boxes](#)
- [Comfort](#)
- [Rooflights](#)
- [Lighting](#)
- [Water](#)
- [Level Systems](#)
- [Organisation](#)
- [Safety](#)
- [Ladders](#)
- [Hygiene](#)
- [Vehicle Covers](#)
- [Miscellaneous](#)



**ROOFLIGHTS**

Different types of rooflights, to adapt to each type of vehicle.



**LIGHTING**

Find the right lighting among the various proposals for indoor and outdoor LEDs.



**WATER**

Save water or store it in the best possible way with special pumps and tanks.



**LEVELLING SYSTEMS**

Various models of level and accessories to safely stabilize your vehicle.



**ORGANISATION**

Arrange everything in the most suitable place, to have everything always in order.



**SAFETY**

Take big and small precautions to make your holiday safer.



**LADDERS**

Indoors and outdoors, different models to best suit your vehicle.



**HYGIENE**

Keep the environment clean and hygienic thanks to portable toilets and specific sanitary accessories.



**VEHICLE COVERS**

Protect your vehicle from the weather.



**MIX**

Various products and accessories to complete your Comfort range.



- [Awnings](#)
- [Panels and Enclosures](#)
- [Bike Carriers](#)
- [Motorhome](#)
- [Caravan](#)
- [Campervan](#)
- [Van Conversion](#)
- [SUV](#)
- [Garage](#)
- [Accessories](#)
- [Rear Boxes](#)
- [Comfort](#)
- [Rooflights](#)
- [Lighting](#)
- [Water](#)
- [Level Systems](#)
- [Organisation](#)
- [Safety](#)
- [Ladders](#)
- [Hygiene](#)
- [Vehicle Covers](#)
- [Miscellaneous](#)

## COMFORT

# Comfort throughout the journey

To make you feel at home in every stop and move, Fiamma has created a complete range of devices and accessories that will equip your vehicle with every comfort. Designed with attention to aesthetics and functional in every condition, Fiamma products cover every need that you and your travelling companions may have. Each solution is designed to occupy as little space as possible while giving you maximum performance.

FIAMMASTORE

CARRY-BIKE

COMFORT

INFO

COMFORT

ROOFLIGHTS

Vent 28 F



## Vent 28 F

SUITABLE FOR MOTORHOMES, CARAVANS, VAN CONVERSIONS AND CAMPERVANS



A small rooflight, it is suitable for smaller rooms and provides excellent interior lighting. It can be motorised with the Turbo-Vent 28F kit.

### FEATURES:

- Internal and external frame in new neutral white colour
- 28x28 cm
- Discreet and elegant design
- Available in White and Crystal versions
- Standard mosquito net
- Motorised (optional)



**01 Aerodynamic**  
Its shape means that no spoiler is needed

**02 Sandwich assembly**  
Quick installation without needing to cut more holes in the roof of your vehicle

**03 Permanent ventilation**  
For constant exchange of air

**04 Opening system**  
With handy handwheel

**05 Mosquito net**  
Made of aluminium, easily removable for cleaning

**06 Slim frame**  
Minimum vertical dimensions on the vehicle ceiling

**07 Motorised**  
With the Kit Turbo-Vent 28 F (optional)

## COMFORT

### COVER FINISH

- White
- Crystal

## ROOFLIGHTS

### CHOOSE THE MODEL THAT SUITS YOU

	Weight
Vent 28 F White	1,8 kg
Vent 28 F Crystal	

Technical and commercial information on p. 210

### KIT EXTENSION



Optional kit for mounting on roofs with a thickness from 5 cm to 6.8 cm.

	Weight
Kit Extension Vent 28 F	0,09 kg

### WHAT YOU CAN ADD TO YOUR VENT 28 F

Technical and commercial information on p. 210



### KIT TURBO-VENT 28 F

Optional kit to motorise your Vent 28 F. The kit can be added at any time after purchase.

Power supply	12 V
Power consumption	25 W
Maximum input	1,9 A
Maximum air flow	9 m <sup>3</sup> /min
Fan diameter	18 cm
Permanent air flow	50 cm <sup>2</sup>

	Weight
Kit Turbo-Vent 28 F	0,5 kg





COMFORT

ROOFLIGHTS

## Vent F Pro

SUITABLE FOR MOTORHOMES, CARAVANS AND VAN CONVERSIONS



Ideal for motorhomes, caravans and vans. It can be motorised with 2 different types of Turbo-Vent F Kits.

### FEATURES:

- Internal and external frame in new neutral white colour
- 40x40 cm
- Elegant and stylized design
- Mosquito net and pleated blinds as standard
- Motorised



- 01 Aerodynamic**  
Its shape means that no spoiler is needed.
- 02 Sandwich assembly**  
Quick installation without needing to cut more holes in the roof of your vehicle
- 03 Opening**  
Double opening arm for maximum cover stability
- 04 Mosquito net and blind**  
Removable mosquito net and pleated blind
- 05 Handwheel**  
Handy for an easy opening
- 06 Motorised**  
With 2 different versions of Turbo-Vent F kit.

Vent F Pro



Kit Turbo-Vent



MODEL

Vent F Pro

Weight

4,0 kg

ADD TO YOUR VENT F PRO



### KIT TURBO-VENT F PREMIUM

Equipped with "Touch" electronic control unit and Polar Control thermostat as standard.



### KIT TURBO-VENT F

Standard version equipped with Polar Control thermostat.

Technical and commercial information on p. 210

	Kit Turbo-Vent F Premium	Kit Turbo-Vent F
Power supply	12 V	12 V
Power consumption	36 W	36 W
Minimum absorption	0,3 A	0,3 A
Maximum input	3 A	3 A
Maximum air flow	35 m <sup>3</sup> /min	35 m <sup>3</sup> /min
Polar Control function	•	•
Touch function	•	-

## Vent / Turbo-Vent

SUITABLE FOR MOTORHOMES, CARAVANS AND VAN CONVERSIONS



Ideal for motorhomes, caravans and van conversions, this rooflight is also available in a motorised version and allows constant air circulation.

**FEATURES:**

- Internal and external frame in new neutral white colour
- 40x40 cm
- Available in White and Crystal versions
- Standard mosquito net, optional blind
- Motorised versions also available

**01 Aerodynamic**  
Its shape means that no spoiler is needed

**02 Installation**  
With through screws, wide and reinforced frame

**03 Permanent ventilation**  
For constant exchange of air

**04 Opening system**  
With handy handwheel

**05 Mosquito net**  
In aluminium as standard



**COVER FINISH**

- White
- Crystal

Turbo-Vent Premium



Turbo-Vent



Vent



**CHOOSE THE MODEL THAT SUITS YOU**

	Turbo-Vent Premium	Turbo-Vent	Vent
Power consumption	36 W	36 W	-
Minimum absorption	0,3 A	0,3 A	-
Maximum input	3 A	3 A	-
Maximum air flow	35 m <sup>3</sup> /min	35 m <sup>3</sup> /min	-
Polar Control thermostat	•	•	-
Touch electronic control unit	•	-	-



**TURBO-VENT PREMIUM**

Rooflight with motor where all functions are activated by a simple finger touch. Convenient electronic interface with signal LEDs.



**TURBO-VENT**

Classic rooflight with 12 V DC variable speed motor.



**VENT**

Rooflight without motor equipped with permanent air flow ventilation and mosquito net.

FIAMMASTORE

CARRY-BIKE

COMFORT

INFO



COMFORT

ROOFLIGHTS

## Turbo-Kit

SUITABLE FOR MOTORHOMES, CARAVANS AND VAN CONVERSIONS



An additional fan for your vehicle, quick and easy to install on almost all models of rooflights. Simple to connect to the electrical system, thanks to the 12Vdc power cable.

### FEATURES:

- It can be installed on rooflights from 40x40 (not Fiamma) up to 50x70 cm
- Composed of a ventilation system with fan and telescopic hangers
- Complete with supply for cigarette lighter socket and 12Vdc power supply cable for the motorhome's electric supply



Polarity inverter: from fan to aspirator

### FEATURES

Power supply	12 V
Power consumption	4 W
Minimum absorption	0,2 A
Maximum input	0,33 A
Maximum air flow	7,2 m <sup>3</sup> /min
Fan diameter	24 cm

Technical and commercial information on p. 211

Turbo-Kit



FIAMMASTORE

CARRY-BIKE

COMFORT

INFO

## Accessories

To make your Fiamma rooflight even more efficient, we have designed a range of accessories.



### SPOILER UNIVERSAL

This universal spoiler reduces vibration and noise from the rooflight. It can be shortened to fit to the different rooflight dimensions (from 110cm to 28cm). Complete with side aerodynamic end caps. Can be attached with suitable adhesives (Sika).



### SPOILER 40

Designed to fit the non-aerodynamic 40x40 rooflights. Easily installed with the roof vent screws or attached with suitable adhesives (Sika).

Vent Accessories



### THERMO VENT 40

Vent insulation that reflects sun light and prevents cold air from entering. It can be installed on all 40x40 cm rooflights.



### ROLLO VENT 40

Roller blind designed for installation on Vent 40x40 cm rooflights. New colour neutral white. Permanent ventilation thanks to its side inlets. Easy installation without drilling the vehicle.



FIAMMASTORE

CARRY-BIKE

COMFORT

INFO



- [Awnings](#)
- [Panels and Enclosures](#)
- [Bike Carriers](#)
- [Motorhome](#)
- [Caravan](#)
- [Campervan](#)
- [Van Conversion](#)
- [SUV](#)
- [Garage](#)
- [Accessories](#)
- [Rear Boxes](#)
- [Comfort](#)
- [Rooflights](#)
- [Lighting](#)
- [Water](#)
- [Level Systems](#)
- [Organisation](#)
- [Safety](#)
- [Ladders](#)
- [Hygiene](#)
- [Vehicle Covers](#)
- [Miscellaneous](#)

## LEDs for awnings

SUITABLE FOR MOTORHOMES, CARAVANS, VAN CONVERSIONS AND CAMPERVANS



Lots of solutions to illuminate your space using the arms and rails of the awning. All systems are LED, to guarantee an excellent level of lighting and very low power consumption.

**FEATURES:**

- Average LED duration 25,000 hours
- Super Bright LEDs,  $\varnothing$  5 mm
- 12 V power supply

LED for awning



**MODELS**



**AWNING ARMS LED**

Four pairs of LED lights that are easily attached to the articulated arms of the awnings and remain mounted allowing the awning to be closed completely. Complete with 5m of cable for quick connection.



**KIT AWNING LED**

Installation by simply pushing on the lead bar, for a permanent fixing. It is composed of two 12V 9 LED low consumption light strips and 5m of cable.



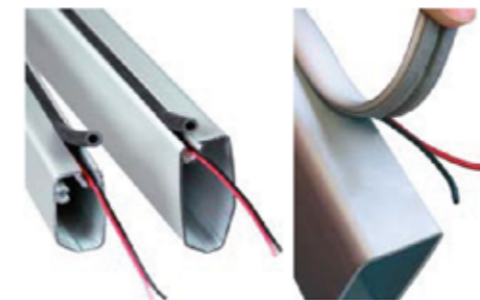
**KIT LED STRIP AWNING**

Specific for F65L and F80s awnings consisting of a 5 m LED sticky strip and PVC lens, which can be easily shortened. To be inserted into the internal profile of the front and case box (for F80s only).



**LED AWNING CASE**

LED light bar to be inserted in the special case box housing of F45s, F45L and F70 winch awnings. Delivered as standard in the length of 2.5 m. The optional 50cm kit is available.



**KIT CABLES**

For hiding electrical cables in the awning. Can be used with Awning Arms LED (1 kit) and Awning LED kit (2 kits).  
**KIT CABLES GUIDE:** kit of 2 flexible profiles ideal for awnings with arms provided with guide preset for the passing of cables.  
**KIT CABLES RAIL:** kit of 2 compact rails, ideal for all the awnings with arms not preset for the passing of the electrical cables.



**RAFTER LED**

For case box awnings. Supplied complete with hooks to be installed in the awning F45 (for F65s and F65L the optional kit is available) which incorporate the electrical connections: simply place the rafter on and the LEDs will come on.



### RAFTER LED CARAVANSTORE

Specific for Caravanstore awning. Equipped with a spring terminal to be easily installed when the awning is open and a power cable.

#### CHOOSE THE MODEL THAT SUITS YOU

	Power	Power input	Lumen
Awning Arms LED	4 W	0.36 A	382
Kit Awning LED	2.4 W	0.20 A	170
Kit LED Strip Awning High Brightness	4.8 W	4.00 A	840/m
Kit LED Strip Awning	2.4 W	2.00 A	420/m
Kit Cables Guide	-	-	-
Kit Cable Rail	-	-	-
LED Awning Case	2.7 W / bar	0.23 A / bar	840
Kit LED Awning Case 50	2.7 W / bar	0.23 A / bar	168
Rafter LED	9.7 W	0.80 A	792
Rafter LED CaravanStore	9.7 W	0.80 A	792

- [Awnings](#)
- [Panels and Enclosures](#)
- [Bike Carriers](#)
- [Motorhome](#)
- [Caravan](#)
- [Campervan](#)
- [Van Conversion](#)
- [SUV](#)
- [Garage](#)
- [Accessories](#)
- [Rear Boxes](#)
- [Comfort](#)
- [Rooflights](#)
- [Lighting](#)
- [Water](#)
- [Level Systems](#)
- [Organisation](#)
- [Safety](#)
- [Ladders](#)
- [Hygiene](#)
- [Vehicle Covers](#)
- [Miscellaneous](#)

## LED for outdoors and garage

SUITABLE FOR MOTORHOMES, CARAVANS, VAN CONVERSIONS AND CAMPERVANS



To illuminate your outdoor space and your garage. All systems are LED, ensuring optimum lighting and very low power consumption.

**FEATURES:**

- Average LED duration 25,000 hours
- Super Bright LEDs, ø 5 mm

LED for outdoor and garage



**MODELS**



**LED AWNING LIGHT**

External LED light for awnings, which can be installed under the awning case box or above the entrance door. Complete with elegant plastic end caps.



**LED WARNING SOLAR**

System of two intermittent signal lights. Ideal to be positioned around your motorhome and caravan to highlight a dangerous area. Each light is provided with a solar panel that recharges the internal batteries during the day. The internal rechargeable batteries are capable of being recharged around 500 times



**LED GARAGE LIGHT**

Internal LED light for storage compartments and garage facilities. Similar characteristics as LED Awning Light but complete with switch.



**LED SENSOR DOOR LIGHT**

With PIR and light sensor, it only lights up at night when a person approaches your vehicle; the lights remains on for 60 seconds. Designed to be installed above the doors of motorhomes and caravans.



COMFORT

LIGHTING

MODELS



**LED STEP**

To increase the safety and visibility of the steps and step wells at the entrance of the motorhome. Made from sturdy anodized aluminium. Kit is 50cm long but can be shortened to 23cm. The aluminium L profile can be easily attached to the edge of the step.



**LED AWNING LIGHT GUTTER**

External door light, equipped with terminals shaped as a channel, ideal to solve the annoying problem of rain dripping from above the door.

CHOOSE THE MODEL THAT SUITS YOU

Technical and commercial information on p. 213

	Power	Power input	Lumen
LED Awning Light	7,4 W	0,62 A	547
LED Garage Light	7,4 W	0,62 A	547
LED Warning Solar	-	-	-
LED Sensor Door Light	7,4 W	0,62 A	547
LED Step	1,7 W	0,14 A	145
LED Awning Light Gutter	7,4 W	0,62 A	547



FIAMMASTORE

CARRY-BIKE

COMFORT

INFO

- [Awnings](#)
- [Panels and Enclosures](#)
- [Bike Carriers](#)
- [Motorhome](#)
- [Caravan](#)
- [Campervan](#)
- [Van Conversion](#)
- [SUV](#)
- [Garage](#)
- [Accessories](#)
- [Rear Boxes](#)
- [Comfort](#)
- [Rooflights](#)
- [Lighting](#)
- [Water](#)
- [Level Systems](#)
- [Organisation](#)
- [Safety](#)
- [Ladders](#)
- [Hygiene](#)
- [Vehicle Covers](#)
- [Miscellaneous](#)

COMFORT

WATER

## Water pumps

SUITABLE FOR MOTORHOMES, CARAVANS, VAN CONVERSIONS AND CAMPERVANS



Safe and reliable pumps, to guarantee a constant and high flow on your vehicle.

### FEATURES:

- Anti-vibration base
- Motor with thermal protection
- Standard stainless steel filter removable for easy cleaning
- It can be installed in any position, can run dry without damage
- Power supply: 12 V

Water pumps



### MODELS



#### AQUA F

Equipped with an internal diaphragm made in a single piece to ensure its watertight seal. 4 chambers for high flow of water. Standard filter. Available in 10 and 13 litres versions.



#### AQUA 8

Aqua 8 is the classic self-priming pump with incorporated filter and anti-vibration Silent Plate base as standard. Angle and straight connectors for 13 mm pipes included. Available in 7 and 10 litres versions.



#### A20

Universal expansion tank that eliminates pulsating pump operation and supplies a constant flow of water in the required quantity. The internal pressurized diaphragm provides a smooth, surge-free flow of water.

### CHOOSE THE MODEL THAT SUITS YOU

Technical and commercial information on p.214

	Current input	Flow rate at 0 bar	Noise	Pressure switch intervention	Weight
Aqua F (13 litres)	2,5 A	13 l/min	50 db		2,2 kg
Aqua F (10 litres)	1,7 A	10 l/min	52 db	1,5 Bar 21,7 Psi	1,4 kg
Aqua 8 (7 litres)	1,4 A	7 l/min	55/60 db		1,5 kg
Aqua 8 (10 litres)	3,4 A	10 l/min	65/70 db		1,5 kg
A20	-	-	-	-	0,3 kg
Kit Connection Aqua F	-	-	-	-	0,3 kg

- [Awnings](#)
- [Panels and Enclosures](#)
- [Bike Carriers](#)
- [Motorhome](#)
- [Caravan](#)
- [Campervan](#)
- [Van Conversion](#)
- [SUV](#)
- [Garage](#)
- [Accessories](#)
- [Rear Boxes](#)
- [Comfort](#)
- [Rooflights](#)
- [Lighting](#)
- [Water](#)
- [Level Systems](#)
- [Organisation](#)
- [Safety](#)
- [Ladders](#)
- [Hygiene](#)
- [Vehicle Covers](#)
- [Miscellaneous](#)



FIAMMASTORE

CARRY-BIKE

COMFORT

INFO

COMFORT

WATER

## Tanks

SUITABLE FOR MOTORHOMES, CARAVANS, VAN CONVERSIONS AND CAMPERVANS



Water is a precious resource that you need to take care of. Both blue tanks, made of food grade material, and the waste water grey tanks are easy to fill, transport and empty. Choose them according to function and capacity.

### FEATURES:

- Watertight cap
- Easy to transport
- Compact size

Tanks



### FOOD MODELS



#### ROLL-TANK 40F

Portable fresh water tank, easy grip handle and silent rubber wheels make transportation easy even on gravel. Easy cleaning wide filler cap.

The equipment consisting of bayonet cap and hose connector, used for direct filling of the tank, is available as an optional accessory.



#### ROLL-TANK 23F

Convenient portable fresh water tank with easy access discharge cap. Compact size (fits through normal vehicle doors). Complete with extra cap for immersion pump (not included).



#### TANK 70

Large fresh water tank, it can be installed vertically or horizontally, it is complete with all the fittings.

### WASTE WATER MODELS



#### ROLL-TANK 23W

Convenient portable waste water tank with easy access discharge cap. Compact size (fits through normal vehicle doors).



#### ROLL-TANK 40W

Waste water tank, includes a vent valve and level indicator. Connects to the valve of the motorhome tank via the drain tube. The 45° angle adapter for drain is included.

- [Awnings](#)
- [Panels and Enclosures](#)
- [Bike Carriers](#)
- [Motorhome](#)
- [Caravan](#)
- [Campervan](#)
- [Van Conversion](#)
- [SUV](#)
- [Garage](#)
- [Accessories](#)
- [Rear Boxes](#)
- [Comfort](#)
- [Rooflights](#)
- [Lighting](#)
- [Water](#)
- [Level Systems](#)
- [Organisation](#)
- [Safety](#)
- [Ladders](#)
- [Hygiene](#)
- [Vehicle Covers](#)
- [Miscellaneous](#)

## COMFORT

## WATER



### KIT SANITARY FLEX

Flexible and extendable up to 300 cm, the hose is complete with 2 connections and clamps for connection to the Roll-Tank 40 W, Tank 21 W and Quick Connection W.



### QUICK CONNECTION W

The adapter to turn the threaded connection into a bayonet connection so that the Sanitary Flex can be easily coupled to the Tank 23 W.



### WATER CAP

Thanks to the key, the cap can be locked and opened for greater security. Available white and black.

### CHOOSE THE MODEL THAT SUITS YOU

	Capacity	Weight
Roll-Tank 23F	22,5 l	2,4 kg
Roll-Tank 40F	35 l	3,8 kg
Tank 70	65 l	4,4 kg
Water Cap	–	0,2 kg
Roll-Tank 23W	22,5 l	2,4 kg
Roll-Tank 40W	35 l	3,9 kg
Kit Sanitary Flex	–	0,8 kg
Quick Connection W	–	0,2 kg



FIAMMASTORE

CARRY-BIKE

COMFORT

INFO

## Levelling systems

SUITABLE FOR MOTORHOMES, CARAVANS, VAN CONVERSIONS AND CAMPERVANS



The ground on which you park your vehicle is not always perfectly level. That's why we suggest you purchase one of our levelling systems, designed to stabilise each type of vehicle.

**FEATURES:**

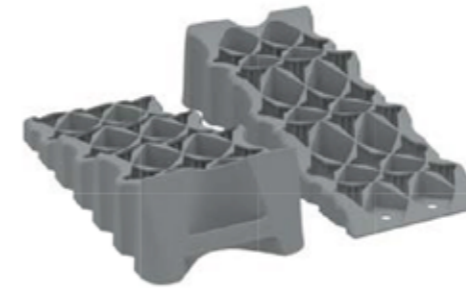
- Protects the tyre
- Does not sink into the ground
- Equipped with levelling cradles
- Easy to transport and lightweight
- Resistant
- Pack of 2 pieces

**MODELS**



**KIT PREMIUM LEVEL UP**

With three levelling cradles, handle for a safe and easy positioning of the product under the vehicle and high manoeuvrability. Delivered as standard with Level Bag Premium. Ideal for motorhomes.



**KIT LEVEL UP PREMIUM S**

Ideal for motorhomes and van conversions. Same features as the Level Up Premium Kit, but with reduced size and weight. The practical Level Bag is included as standard.



**LEVEL UP - KIT LEVEL UP**

Ridged surface to grip to the vehicle's tyres. Consists of three levels, lightweight and easy to clean. The Kit version is complete with Level Bag.

Level



Level accessories



**LEVEL PRO**

Ideal for caravans and camper vans. Practical self-locking overlapping interlocking levelling system to raise height. Non-skid finish.



**LEVEL SYSTEM MAGNUM**

Ideal for motorhomes. Practical self-locking overlapping interlocking levelling system to raise height.



**LEVEL SYSTEM JUMBO**

Ideal levelling system for motorhomes with twin wheels.



COMFORT

LEVELLING SYSTEMS

CHOOSE THE MODEL THAT SUITS YOU

Technical and commercial information on p. 215

	Dimensions	Levels	Capacity	Weight each
Kit Level Up Premium *	83x31x20 cm	3	5,0 t	3,7 kg
Kit Level Up Premium S *	68x28x16 cm	3	5,0 t	2,1 kg
Level Up - Kit Level Up	57x20x13 cm	3	5,0 t	1,45 kg
Level Pro	43x17x9 cm	-	5,0 t	0,8 kg
Level System Magnum	50x20x9 cm	-	8,0 t	1,3 kg
Level System Jumbo	60x26x12 cm	-	12,0 t	2,9 kg

\* This item is not offered for sale to UK customers and must not be imported into the UK or sold to third parties in the UK.

ADD TO YOUR LEVELS

Technical and commercial information on p. 215



**CHOCK LEVEL**

Pair of 2 grey chocks to secure the wheels during long stopovers.



**ANTI SLIP PLATE**

Optional anti-slip plate for paved surfaces.



**LEVEL BAG / LEVEL BAG S**

Bag available in washable polyester, helps to keep the vehicle clean.



**LEVEL PLATE**

Anti-skid system, installed under the Fiamma Level Up to increase its traction, avoiding skidding on smooth surfaces and sinking into soft grounds.



FIAMMASTORE

CARRY-BIKE

COMFORT

INFO

COMFORT

LEVELLING SYSTEMS

## Levelling systems

SUITABLE FOR MOTORHOMES, CARAVANS, VAN CONVERSIONS, CAMPERVANS AND 4x4



Provides safety and stability for your vehicle.

FEATURES:

- Resistant material
- Easy to transport and lightweight

Wheel & Grip



Jacks



Anti-sinking bases



MODELS



### GRIP SYSTEM

Anti-skid system with superior traction, to be placed under the driving wheels of vehicles. They can be combined in length for a greater traction surface.



### WHEEL SAVER

System of cradles that avoids ovalisation of the tyres, suitable for wheels up to 70 cm in diameter. Ideal in case of long parking and storage of motorhomes and caravans.



### ALU JACKS

Polished aluminium jack. Package of 4 stacked pieces during transport. Adjustable in height from min. 28 cm to max. 43 cm.



### PLASTIC JACKS

Plastic UV-resistant jacks. Package of 4 stacked pieces during transport. Adjustable in height from min. 31 cm to max. 44 cm.



### PLATES PRO

Kit of four anti-sinking bases supplied with four locks to be fastened to the vehicle's lifting jacks.



### PLATES

Kit of four highly reinforced anti-sinking plates. Also ideal for use with jacks or with the caravan's A-frame leg.





- [Awnings](#)
- [Panels and Enclosures](#)
- [Bike Carriers](#)
- [Motorhome](#)
- [Caravan](#)
- [Campervan](#)
- [Van Conversion](#)
- [SUV](#)
- [Garage](#)
- [Accessories](#)
- [Rear Boxes](#)
- [Comfort](#)
- [Rooflights](#)
- [Lighting](#)
- [Water](#)
- [Level Systems](#)
- [Organisation](#)
- [Safety](#)
- [Ladders](#)
- [Hygiene](#)
- [Vehicle Covers](#)
- [Miscellaneous](#)

COMFORT

LEVELLING SYSTEMS

CHOOSE THE MODEL THAT SUITS YOU

	Weight each
Grip System	0,4 kg
Wheel Saver	0,6 kg
Alu Jacks	0,9 kg
Plastic Jacks	0,8 kg
Plates Pro	0,2 kg
Plates	0,2 kg

Technical and commercial information on p. 215-216

COMPLETE YOUR VEHICLE WITH



**STEP**

Step for caravans and motorhomes, made of UV-resistant HD polyethylene for more stability and strength. Anti-skid surface.



**STEP MAGNUM**

Stronger and larger step made of UV-resistant polypropylene. Anti-skid surface.



**STEP-MAT**

Covering for the surface of Fiamma Steps. Made of soft and flexible anti-skid UV-resistant rubber.



**CLEAN STEP**

Convenient doormat to be placed on the electric or manual steps of motorhomes and caravans. Also ideal for double steps.



FIAMMASTORE

CARRY-BIKE

COMFORT

INFO

COMFORT

ORGANISATION - STORAGE

## Pocket

SUITABLE FOR MOTORHOMES, CARAVANS, VAN CONVERSIONS, CAMPERVANS AND 4x4



Multipurpose pockets to organize your space in the best possible way and always have everything in order.

**FEATURES:**

- Different dimensions available
- Easy to install with the provided screws

Pocket



**MODELS**



**POCKET PLUS M**



**POCKET PLUS L**



**POCKET M**



**POCKET L**



**POCKET XL**

**CHOOSE THE MODEL THAT SUITS YOU**

Technical and commercial information on p. 217

	Colour	Dimensions	Weight
Pocket Plus M	grey	26x8,5x9 cm	0,1 kg
Pocket Plus L	grey	38x11,5x14 cm	0,4 kg
Pocket M	white	26x8,5x8 cm	0,1 kg
Pocket L	white	26x16,5x8 cm	0,1 kg
Pocket XL	grey	38x16x10 cm	0,3 kg

COMFORT

ORGANISATION - ROOF BOXES

## Ultra-Box

SUITABLE FOR MOTORHOMES



Ultra-Box



You can never have enough luggage when you go on holiday. Choose one of our spacious roof boxes for your motorhome.

FEATURES:

- Material: ABS
- Reinforced aluminium structure
- Watertight foam seal
- Complete with installation brackets and stainless steel hinges



ULTRA-BOX 2



ULTRA-BOX 3

CHOOSE THE MODEL THAT SUITS YOU

	Volume	External dimensions	Internal dimensions	Weight
Ultra-Box 2	400 l	120x91x42 cm	107,5x77,5x37,5 cm	13 kg
Ultra-Box 3	520 l	170x91x42 cm	155x77,5x37,5 cm	17 kg



## Fixing-Bar

SUITABLE FOR MOTORHOMES AND VAN CONVERSIONS



Carry what you want on the roof of your motorhome or camper van with this range of accessories designed to organise it in the best possible way.

### FEATURES:

- Adaptable to different types of vehicles
- Easy to install

Luggage carrier system & carry-all bars



### CHOOSE THE MODEL THAT SUITS YOU

	Weight
Roof Rail	4.7 kg
Fixing-Bar Rail	3.4 kg
Fixing-Bar Pro L	1.5 kg
Roller Roof Rail	1.5 kg

### MODELS



### ROOF RAIL

Two longitudinal bars that can be shortened, easy to install on the roofs of motorhomes and caravans. The anodised aluminium tubes are suitable for quick attachment of the optional Fixing-Bar Rail.



### FIXING-BAR PRO L

Roof rail in extruded aluminium, easily to shorten. To be placed on the camper or caravan roof. Ideal supporting system for solar panels or roof boxes. Delivered as standard with:

- 1x bar
- 2x white end caps
- 1x rubber spacer



### FIXING-BAR RAIL

Roof rails in anodised aluminium. Easily combinable with the Roof Rail without drilling the vehicle, easily shortened. Delivered as standard with:

- 2x bars
- 4x fixing terminals in aluminium pressure die-casting
- 4x rubber spacers



### ROLLER ROOF RAIL

Roller for loading the roof rack. Facilitates the loading of canoes, kayaks and other objects from the rear of the vehicle. Ideal to be used with Roof Rail Ducato, Roof Rail Ducato Maxi XL.

COMFORT

ORGANISATION - ROOF

Ducato  
Roof Racks



FIAMMASTORE

CARRY-BIKE

COMFORT

INFO

## Roof Rail Ducato

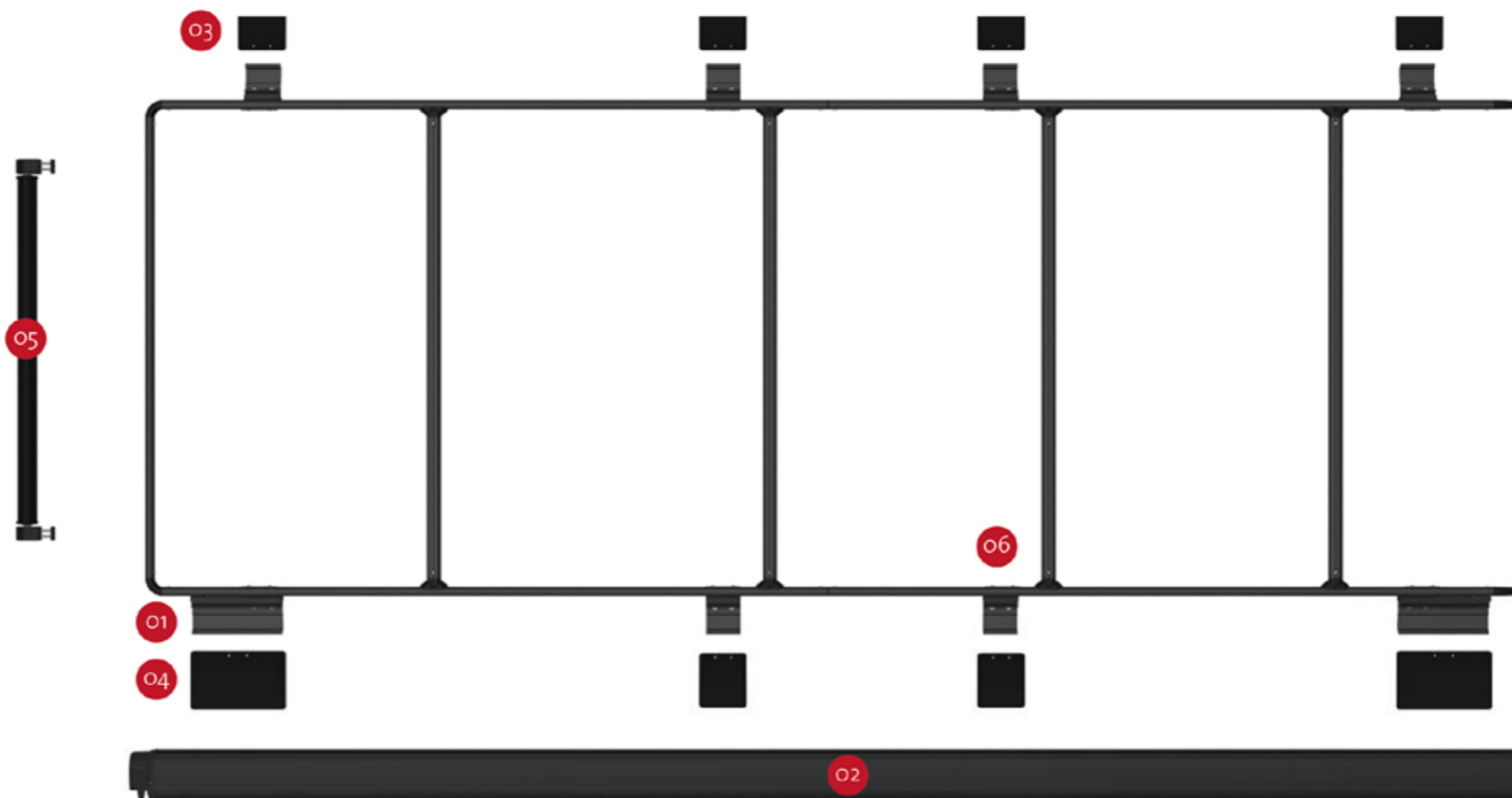
SUITABLE FOR VAN CONVERSIONS



To make the most of your vehicle's roof, a complete roof rack system for Fiat Ducato, Citroën Jumper and Peugeot Boxer.

### FEATURES:

- Installation without drilling the vehicle
- Max. load capacity: 150 kg
- Two finishes: aluminium and Deep-Black
- Roof Rail Ducato: can be installed on Ducato vehicles with H2 high roof, L1, L2 and L3 lengths Roof Rail
- Ducato Maxi XL: for vehicles with H2 high roof and L4 length
- Roof rail Ducato H3: version for Ducato with H3 high roof and L3 and L4 length



**01 Brackets F80s / F65s**  
Supplied as standard.  
To mount the awning  
without drilling the vehicle.

**02 F80s**  
Roof awning  
(to be purchased separately).  
It is ideal to combine with  
Ducato Roof Rail

**03 Kit Roof Rail Ducato Cover Left**  
Optional accessory kit to cover  
the mounting brackets (3 pcs)

**04 Kit Roof Rail Ducato Cover Right**  
Optional accessory kit to cover  
the mounting brackets (3 pcs)

**05 Roller Roof Rail**  
Add it to the Roof Rail.  
It will be a convenient aid  
in loading operations.

**06 Kit Roof Rail Ducato Extra**  
Pair of additional brackets for  
Ducato Maxi XL Roof Rail

### CHOOSE THE MODEL THAT SUITS YOU

	Weight
Roof Rail Ducato	12,0 kg
Roof Rail Ducato Deep Black	12,0 kg
Roof Rail Ducato Maxi XL	13,5 kg
Roof Rail Ducato H3	0,1 kg

Technical and commercial information on p. 217

### ACCESSORIES

	Weight
Roller Roof Rail	1,5 kg
Kit Roof Rail Ducato Extra 14,5 cm / 16,5 cm	1,0 kg
Kit Roof Rail Ducato Cover Left	0,1 kg
Kit Roof Rail Ducato Cover Right	0,1 kg
Kit Roof Rail Ducato Extra Cover*	0,1 kg

\* bracket covers for the Ducato Extra Roof Rail Kit (1 pc)



- [Awnings](#)
- [Panels and Enclosures](#)
- [Bike Carriers](#)
- [Motorhome](#)
- [Caravan](#)
- [Campervan](#)
- [Van Conversion](#)
- [SUV](#)
- [Garage](#)
- [Accessories](#)
- [Rear Boxes](#)
- [Comfort](#)
- [Rooflights](#)
- [Lighting](#)
- [Water](#)
- [Level Systems](#)
- [Organisation](#)
- [Safety](#)
- [Ladders](#)
- [Hygiene](#)
- [Vehicle Covers](#)
- [Miscellaneous](#)

## Garage

SUITABLE FOR MOTORHOMES



How to best organise the inside of your garage? With our practical shelving and multi-purpose bars.

**FEATURES:**

- Suitable for all models of motorhomes
- Made of light and strong aluminium

Shelves



Bars



### GARAGE BOX

Set of three folding boxes suitable for the shelves of the Garage System; folded down they take up little space.

**MODELS**



### GARAGE SYSTEM STANDARD

Single stand with three shelves to position the optional folding boxes or to put all the goods of the camper away tidily in the camper storage compartment.

Adjustable in height and with section bars that can be shortened in case of rear steps or narrow, curved spaces.



### GARAGE WALL BRACKETS KIT

Optional kit for wall installation or installation on the side bars Garage-Bars for garage with adjustable roof height.



### GARAGE SYSTEM UPGRADE

To enlarge the standard module with a second shelf. It can be used with the Garage System Standard.



### GARAGE BARS

Multipurpose aluminium bars to be applied to garage walls or floors. Four versions available:

- Garage Bars
- Garage Bars Corner
- Garage Bars Premium 200
- Garage Bars Premium 60



### GARAGE SYSTEM SUPPORT

Set of two lower bars and one side aluminium bar to be used as a support for the Garage System for greater support and fixing.



### SQUARE PLATES KIT

Corrosion-proof stainless steel hooks to be applied to the floor or walls of the garage.



COMFORT

ORGANISATION - GARAGE

MODELS



**LUGGAGE BAR**

Telescopic bar ideal for easily and safely fastening your objects into the storage compartments or dinette of the vehicle while travelling. Easy to regulate using the handy hook lever. Easy to shorten (minimum length of 93cm) and extends up to 170cm.



**GARAGE CARRY-RAIL**

The clothes rack is composed of a sturdy light tubular bar in anodized aluminium, supported by two strong ceiling fixings. Please verify the solidity of the ceiling before applying the product. Ideal for hanging clothes and various items. Load capacity: 10 kg.

CHOOSE THE PRODUCT THAT SUITS YOU

	Weight
Garage System Standard	5,7 kg
Garage System Upgrade	3,9 kg
Garage System Support	0,9 kg
Garage Box	5,6 kg
Kit Garage Wall Brackets	0,1 kg

	Weight
Garage Bars	3,1 kg
Garage Bars Corner	4,8 kg
Garage Bars Premium 200	4,8 kg
Garage Bars Premium 60	2,2 kg
Kit Square Plates	0,1 kg

Technical and commercial information on p. 218

ACCESSORIES

Technical and commercial information on p. 218



**EYE PREMIUM/CORNER KIT**

Additional hooks for Premium Eye Kit/Corner.



**EYE KIT**

Additional hooks for Eye Kit.



**CARGO STRAP**

To block objects such as small tables, chairs, spare wheels in the storage compartment or in the garage of your motorhome.



**CARGO ACCESSORY KIT**

Optional kit in combination with Cargo Strap.

FIAMMASTORE

CARRY-BIKE

COMFORT

INFO

- [Awnings](#)
- [Panels and Enclosures](#)
- [Bike Carriers](#)
- [Motorhome](#)
- [Caravan](#)
- [Campervan](#)
- [Van Conversion](#)
- [SUV](#)
- [Garage](#)
- [Accessories](#)
- [Rear Boxes](#)
- [Comfort](#)
- [Rooflights](#)
- [Lighting](#)
- [Water](#)
- [Level Systems](#)
- [Organisation](#)
- [Safety](#)
- [Ladders](#)
- [Hygiene](#)
- [Vehicle Covers](#)
- [Miscellaneous](#)

## Safe Door

SUITABLE FOR MOTORHOME, CARAVANS AND VAN CONVERSIONS



A wide range of safety locks for peace of mind while you are on holiday.

**FEATURES:**

- Suitable for campers and caravans (Safe Door Guardian for van conversions)
- Easy to install
- 3 colours available for Safe Door and Safe Door Frame: white, grey and black
- Safe Door Magnum and Safe Door Magnum Frame available in white
- Anti-theft devices

Safe Door Guardian



Safe Door



**MODELS**



**SAFE DOOR GUARDIAN**

Made of sturdy aluminium, without plastic parts. It is installed in place of the standard weak plastic blocks in the living unit, in the same position and using the same fixing holes. Versions for Ducato and Transit are available as well.



**SAFE DOOR**

Made of sturdy painted aluminium, without plastic parts. Convenient anti-theft alarm also for storage compartments and garage doors. Wall fixing with 4 through screws.



**SAFE DOOR FRAME**

Made of sturdy painted aluminium, without plastic parts. Ideal for installation on the internal profiles of motorhome and caravan doors with 3 self-threading screws.



**SAFE DOOR MAGNUM**

Length extended to 20 cm in order to cover, where possible, the locks of the motorhome doors, for greater protection against theft.



**SAFE DOOR MAGNUM FRAME**

Fixing on the internal profiles of the doors with 3 self-threading screws and length extended to 20 cm to cover, where possible, the locks of the doors.



**DUO SAFE PRO**

Security system to keep the vehicle cabin doors closed from the inside.

Tested on:

- Fiat Ducato, Citroën Jumper, Peugeot Boxer and Renault Master ≤ 2006
- Mercedes Sprinter, Fiat Ducato, Renault Master, Ford Transit ≥ 2006
- Also suitable for Iveco Daily's cabin



- [Awnings](#)
- [Panels and Enclosures](#)
- [Bike Carriers](#)
- [Motorhome](#)
- [Caravan](#)
- [Campervan](#)
- [Van Conversion](#)
- [SUV](#)
- [Garage](#)
- [Accessories](#)
- [Rear Boxes](#)
- [Comfort](#)
- [Rooflights](#)
- [Lighting](#)
- [Water](#)
- [Level Systems](#)
- [Organisation](#)
- [Safety](#)
- [Ladders](#)
- [Hygiene](#)
- [Vehicle Covers](#)
- [Miscellaneous](#)

## COMFORT

## SAFETY

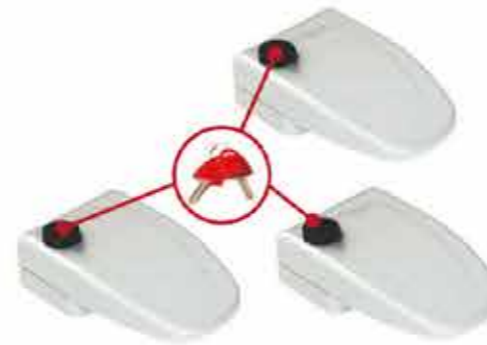
### CHOOSE THE MODEL THAT SUITS YOU

Technical and commercial information on p. 219

	Colours	Weight
Safe Door Guardian	aluminium	0,4 kg
Safe Door	white - grey - black	0,6 kg
Safe Door 3*	white - grey - black	1,7 kg
Safe Door Frame	white - grey - black	0,5 kg
Safe Door Frame 3*	white - grey - black	1,5 kg
Safe Door Magnum	white	0,6 kg
Safe Door Magnum Frame	white	0,6 kg
Duo-Safe Pro	grey	1,0 kg

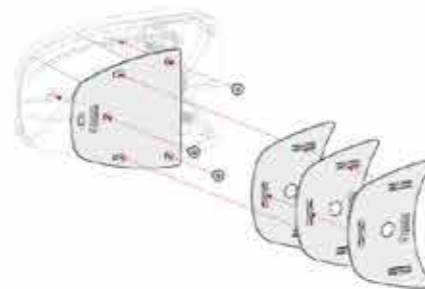
#### \* One Key System

Version "3" works with the One Key System: it is composed of three pieces of Safe Door or Safe Door Frame with locks using the same key.



### ACCESSORIES

Technical and commercial information on p. 219

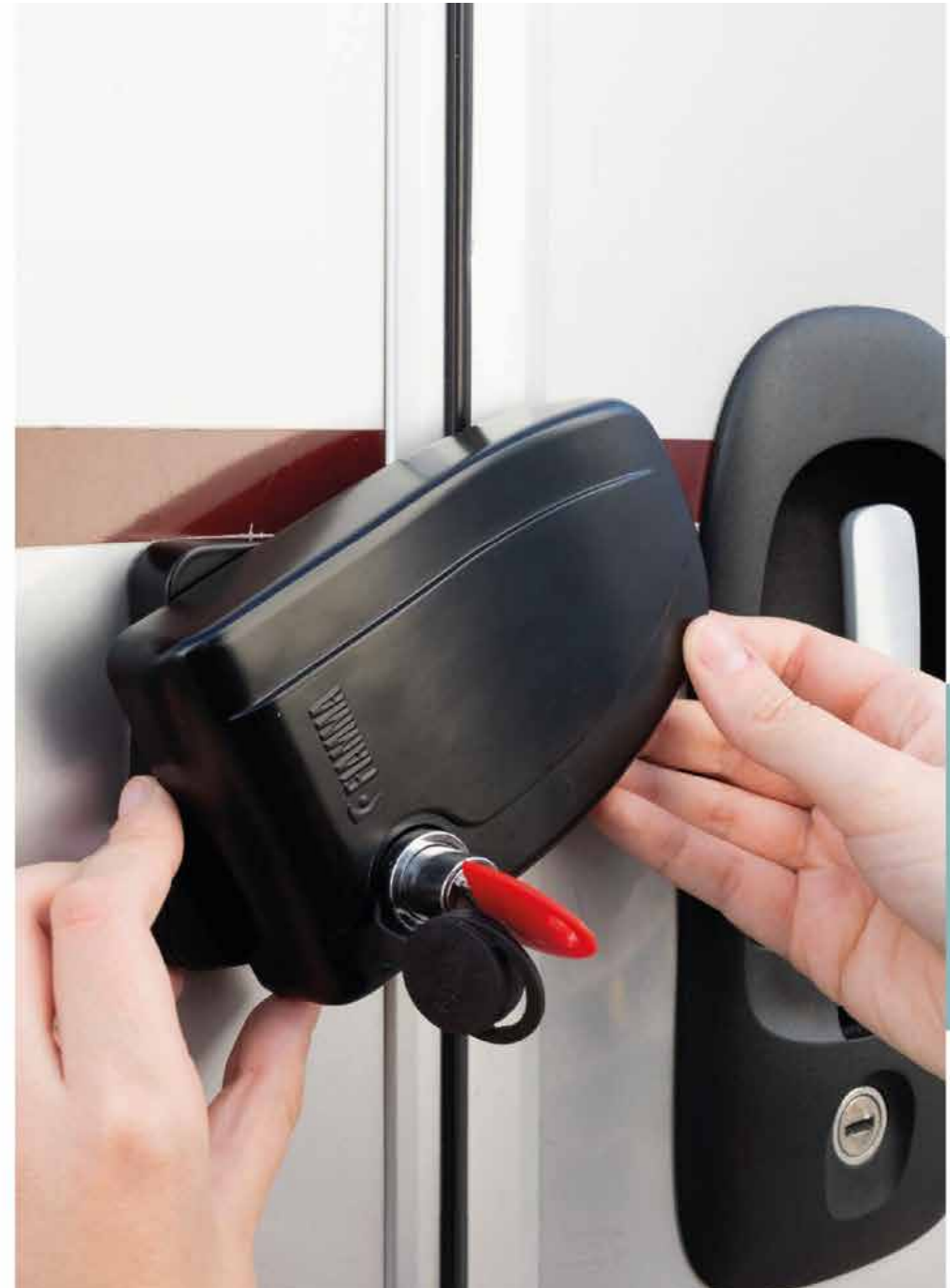


	Colours	Weight
Kit Spacer Safe Door > 2017	White	0,1 kg
	Grey	
	Black	

### SPACER SAFE DOOR KIT >2017

Kit of spacers to reduce the space between Safe Door lock and wall, to adapt it to the shape of the Safe Door family.

Available in colours: white, grey and black.



FIAMMASTORE

CARRY-BIKE

COMFORT

INFO

## Security

SUITABLE FOR MOTORHOMES AND CARAVANS



Security handles to help you get in and out of the vehicle.

**FEATURES:**

- Foldable against the wall
- Suitable for both right and left opening of doors
- Equipped with non-slip grip

Security



**MODELS**



### SECURITY 31

Security handle made of painted aluminium, Ø 30 mm and thickness 2 mm. Height 31 cm.



### SECURITY 46

Security handle made of painted aluminium, Ø 30 mm and thickness 2 mm. Height 46 cm.



### SECURITY 46 PRO

Specially designed for applications where a high solidity structure is required. Complete with Security Lock Kit for greater security and solidity thanks to the third fixing point on the door.



### SECURITY S

M-shaped Security handle, of solid painted aluminium with 30mm diam. and 2mm thickness. Height: 46 cm. Less projection and less space between the handle grip and the vehicle, thus improving the entering into the vehicle.



## COMFORT

## SAFETY

### CHOOSE THE MODEL THAT SUITS YOU

Technical and commercial information on p. 220.

	Colours	Weight
Security 31	white	1,1 kg
Security 46	white	1,2 kg
Security 46 Pro	white	1,7 kg
Security 46 S	white	1,1 kg

### ACCESSORIES

Technical and commercial information on p. 220.



#### KIT SPACER SECURITY FENDT

Specific spacer kit for mounting the Security handles on Fendt caravans.



#### KIT SECURITY LOCK

Optional safety lock kit for security 31, 46, 36 Pro and Security S, to be installed on the door of the motorhome. Delivered as standard with keys and internal brackets.



#### SECURITY GRIP

Non-slip neoprene cover to protect the Security handles security grip.



FIAMMASTORE

CARRY-BIKE

COMFORT

INFO

- [Awnings](#)
- [Panels and Enclosures](#)
- [Bike Carriers](#)
- [Motorhome](#)
- [Caravan](#)
- [Campervan](#)
- [Van Conversion](#)
- [SUV](#)
- [Garage](#)
- [Accessories](#)
- [Rear Boxes](#)
- [Comfort](#)
- [Rooflights](#)
- [Lighting](#)
- [Water](#)
- [Level Systems](#)
- [Organisation](#)
- [Safety](#)
- [Ladders](#)
- [Hygiene](#)
- [Vehicle Covers](#)
- [Miscellaneous](#)



COMFORT

OUTDOOR LADDERS

MODELS - OUTDOOR LADDERS

## Deluxe

SUITABLE FOR MOTORHOMES, CARAVANS AND VAN CONVERSIONS



Interior and exterior ladders, different models to adapt to your vehicle.

FEATURES:

- Pipes ø 30 mm and thickness 2 mm
- Anodised aluminium
- Non-skid finish
- Step inner width: 28 cm
- Step total width: 35 cm
- Deluxe Dj Ducato, Dj Ducato H3 and Sprinter also available in Deep Black version

Outdoor ladders



Indoor ladders



### DELUXE DJ DUCATO

Ladder with 6 steps.  
Installation with Fixing Bar on the left door of the vehicle.  
Combines a Carry-Bike mounted on the right door.



### DELUXE DJ DUCATO H3

Ladder with 6 steps.  
Specific version for vehicles with height H3.



### DELUXE SPRINTER

Ladder with 8 steps and fold up structure. Installation with Fixing Bar on the left door of the vehicle.  
To install the Carry-Bike on the right door.



### DELUXE 8

Ladder with 8 steps and fold up structure. Ideal for the rear wall of the motorhome. New black plastics, with signal step with red plastics.



### DELUXE 5D

Ladder with 10 steps and fold up structure. Ideal for the rear wall of the motorhome. New black plastics, with signal step with red plastics.



### SAFE LADDER

Reinforced safety plate.  
Anti-theft plate for ladder.  
Suitable for single fixed ladders or folding ladders. Complete with knob and key

- [Awnings](#)
- [Panels and Enclosures](#)
- [Bike Carriers](#)
- [Motorhome](#)
- [Caravan](#)
- [Campervan](#)
- [Van Conversion](#)
- [SUV](#)
- [Garage](#)
- [Accessories](#)
- [Rear Boxes](#)
- [Comfort](#)
- [Rooflights](#)
- [Lighting](#)
- [Water](#)
- [Level Systems](#)
- [Organisation](#)
- [Safety](#)
- [Ladders](#)
- [Hygiene](#)
- [Vehicle Covers](#)
- [Miscellaneous](#)



- [Awnings](#)
- [Panels and Enclosures](#)
- [Bike Carriers](#)
- [Motorhome](#)
- [Caravan](#)
- [Campervan](#)
- [Van Conversion](#)
- [SUV](#)
- [Garage](#)
- [Accessories](#)
- [Rear Boxes](#)
- [Comfort](#)
- [Rooflights](#)
- [Lighting](#)
- [Water](#)
- [Level Systems](#)
- [Organisation](#)
- [Safety](#)
- [Ladders](#)
- [Hygiene](#)
- [Vehicle Covers](#)
- [Miscellaneous](#)

COMFORT

INTERIOR LADDERS

MODELS - INTERIOR LADDERS



**DELUXE 4B**

Equipped with 15° inclined steps for the inside of the overcab motorhome or for caravans with sleeping berths. Height: 150 cm



**DELUXE 5B**

Equipped with 15° inclined steps for the inside of the overcab motorhome or for caravans with sleeping berths. Height: 165 cm

CHOOSE THE MODEL THAT SUITS YOU

Technical and commercial information on p. 220

	Finish	Environment	Weight
Deluxe DJ Ducato	Aluminium - Deep Black	exterior	6,5 kg
Deluxe DJ Ducato H3	Aluminium - Deep Black	exterior	6,9 kg
Deluxe Sprinter	Aluminium - Deep Black	exterior	7,0 kg
Deluxe 8 [Restyling]	Aluminium	exterior	5,5 kg
Deluxe 5D [Restyling]	Aluminium	exterior	4,9 kg
Safe Ladder	Aluminium	exterior	1,3 kg
Deluxe 4B	Aluminium	interior	2,4 kg
Deluxe 5B	Aluminium	interior	2,6 kg



FIAMMASTORE

CARRY-BIKE

COMFORT

INFO

COMFORT

HYGIENE

## Bi-Pot

SUITABLE FOR MOTORHOMES, CARAVANS AND VAN CONVERSIONS



Portable toilets and sanitary line designed for life in the open air.

**FEATURES:**

- Scratch-resistant tanks
- Handy drain openings
- Easy to clean
- Comfortable and wide seat
- Available in 3 sizes

**MODELS**



SMALL

**BI-POT 30**

Upper tank capacity: 10 l  
Lower tank capacity: 11 l



MEDIUM

**BI-POT 34**

Upper tank capacity: 15 l  
Lower tank capacity: 13 l



LARGE

**BI-POT 39**

Upper tank capacity: 15 l  
Lower tank capacity: 20 l



**SUPER KEM BLUE**

Detergent for fixed and portable toilets. It accelerates disintegration, limiting the formation of unpleasant gases and odours even at high temperatures. Practical 2L bottle. Containing anti-freeze for temperatures up to -20°C. 90% biodegradable.



**SUPER KEM SACHETS**

Powder disintegrating, deodorising and sanitising detergent in sachets for daily use, individually packed in protective packaging. One container contains 15 sachets of Super Kem Sachets 30gr each.



**SUPER RINSE**

For fresh water tanks of portable or fixed toilets. Scented bactericide for chemical toilets. Available in 1L bottle.

Bi-Pot



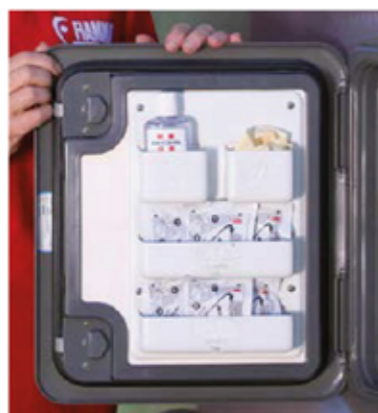
Sanitary accessories



- [Awnings](#)
- [Panels and Enclosures](#)
- [Bike Carriers](#)
- [Motorhome](#)
- [Caravan](#)
- [Campervan](#)
- [Van Conversion](#)
- [SUV](#)
- [Garage](#)
- [Accessories](#)
- [Rear Boxes](#)
- [Comfort](#)
- [Rooflights](#)
- [Lighting](#)
- [Water](#)
- [Level Systems](#)
- [Organisation](#)
- [Safety](#)
- [Ladders](#)
- [Hygiene](#)
- [Vehicle Covers](#)
- [Miscellaneous](#)

## COMFORT

## HYGIENE



### POCKET KASSETT

Composed of four storage pockets for storing Super Kem Sachets in powder and various materials. It is fixed with the standard screws inside the door of the Thetford or Dometic cassette of the vehicle.



### DISPENSER

Soap or liquid shampoo dispenser (100 doses), refillable, 0.20 l, with transparent container.



### SOFT 6

Special two-ply toilet paper specially designed for fixed and portable toilets. Pack of 6 rolls, 300 sheets.



### TOILET BRUSH PRO

Compact toilet brush holder for WC, takes up very little space in the corner of the bathroom.



### TOILET BRUSH

Equipped with Velcro to be applied also to the internal cover of the Bi-Pot.



### BIDET

Universal bidet for all types of Bi-Pot. Thetford Porta Potti, Cassette 1, 2, 3 and 4.

Bidet 200 for Thetford Cassette 200 swivelling, C250 and Dometic CT3000.

### CHOOSE THE MODEL THAT SUITS YOU

Technical and commercial information on p. 221

	Upper tank	Lower tank	Weight
Bi-Pot 30	10 l	11 l	4,0 kg
Bi-Pot 34	15 l	13 l	4,3 kg
Bi-Pot 39	15 l	20 l	4,4 kg
	Weight		Weight
Super Kem Blue	2,0 kg	Soft 6	0,7 kg
Super Kem Sachets	0,5 kg	Toilet Brush Pro	0,2 kg
Super Rinse	0,7 kg	Toilet Brush	0,1 kg
Pocket Kasset	0,2 kg	Bidet Universal	0,3 kg
Dispenser	0,2 kg	Bidet 200	0,3 kg

## Vehicle covers

SUITABLE FOR MOTORHOMES, CARAVANS AND VAN CONVERSIONS



When the journey comes to an end, Fiamma has the solution to protect your vehicle from the elements, dust, pollution and dirt, while waiting to set off on a new adventure.

**FEATURES:**

- Perfect adherence to the vehicle
- Resistant material
- Different models for each type of vehicle

Motorhome cover



Covers for camper vans and van conversions



**CHOOSE THE MODEL THAT SUITS YOU**

	Weight
Cover Top	6,0 kg
Thermoglas XXL Ducato	11,0 kg
Thermoglas Ducato Windscreen	5,0 kg
Coverglas XL Ducato	3,5 kg
Coverglas VW T5/T6	3,5 kg
Coverglas Ford Transit	3,5 kg
Thermo Wall Ducato Cabin	1,8 kg

**MODELS**



**COVER TOP**

Made of UV-resistant fabric vinyl, easy to tension with ropes or elastic cords, reinforced corners and tie down grommets.  
Dimensions: 8.5x5.2 m.  
Suitable for motorhomes, caravans and van conversions.



**COVERGLAS**

Exterior blind to protect the cabin from sun and UV rays.  
Three versions available:  
- Ducato: for Fiat Ducato, Citroën Jumper and Peugeot Boxer ≥ 2006  
- VW T5/T6  
- Ford Transit H2 and H3 ≥ 2014



**THERMOGLAS XXL DUCATO**

Designed for Fiat Ducato, Citroën Jumper and Peugeot Boxer > 2006. Ideal for winter use to completely cover the engine compartment; insulated material suitable for low temperatures. Available in the complete model and "Windscreen" model with only the upper part.



**THERMO WALL DUCATO CABIN**

Convenient and useful thermal panel to be put between the cabin and the motorhome of Fiat Ducato, Citroën Jumper and Peugeot Boxer chassis after 06/2006, to grant more privacy and heat insulation. Dimensions: 182x150 cm.





COMFORT

VEHICLE COVERS

## COVER PREMIUM

Cover for the motorhome, with belt tension system for excellent adherence.

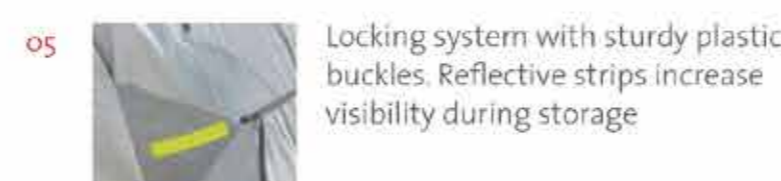
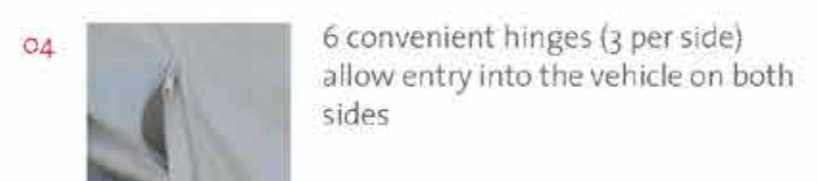
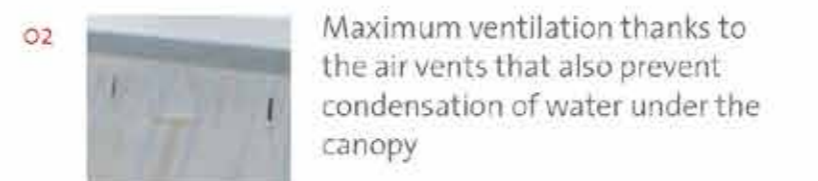
Available in two versions:

- M: for motorhomes up to 7,1 m.

Dimensions: m 7,16 x 2,59 x 2,74 h

- L: for motorhomes up to 8 m.

Dimensions: m 8,08 x 2,59 x 2,74 h



CHOOSE THE MODEL THAT SUITS YOU

Technical and commercial information on p. 221

	Dimensions	Weight
Cover Premium M (up to 7,1 m)	m 7,16 x 2,59 x 2,74h	10,0 kg
Cover Premium L (up to 8 m)	m 8,08 x 2,59 x 2,74h	11,0 kg



FIAMMASTORE

CARRY-BIKE

COMFORT

INFO

- [Awnings](#)
- [Panels and Enclosures](#)
- [Bike Carriers](#)
- [Motorhome](#)
- [Caravan](#)
- [Campervan](#)
- [Van Conversion](#)
- [SUV](#)
- [Garage](#)
- [Accessories](#)
- [Rear Boxes](#)
- [Comfort](#)
- [Rooflights](#)
- [Lighting](#)
- [Water](#)
- [Level Systems](#)
- [Organisation](#)
- [Safety](#)
- [Ladders](#)
- [Hygiene](#)
- [Vehicle Covers](#)
- [Miscellaneous](#)



COMFORT

MIX

## Various accessories

SUITABLE FOR MOTORHOMES, CARAVANS, VAN CONVERSIONS AND CAMPERVANS



To complete your Comfort range.

Various accessories



### MOSKITO NET / NET PRO

**Moskito Net Pro:** mosquito net which also acts as a shade panel blocking about 60% of the light. Composed of 2 overlapping panels. Dimensions: 52x230 cm.  
**Moskito Net:** mosquito net composed of 2 overlapping panels. Dimensions: 35x230 cm.



### DRIP STOP

Mini-gutter to eliminate black streaks on your motorhome, caravan and vans. In the white and grey versions, the available sizes are 75, 300 and 1000 cm. The black colour is available in lengths of 75, 200 and 500cm.



### MUD FLAP

Rubber mud flaps with painted steel bracket.  
**Mud Flap Front:** behind the front wheels of the Ducato after 2006.  
**Mud Flap Rear:** installation in the rear panel of the motorhome.



### DOOR HOLDER

External plastic door holder, to prevent unintentional closing.



### OMNI STOP

Multipurpose accessory to keep plates and items in place in the motorhome as you travel.



### TABLE LEGS

Modular table leg system, ideal to build removable and revolving tables.

- [Awnings](#)
- [Panels and Enclosures](#)
- [Bike Carriers](#)
- [Motorhome](#)
- [Caravan](#)
- [Campervan](#)
- [Van Conversion](#)
- [SUV](#)
- [Garage](#)
- [Accessories](#)
- [Rear Boxes](#)
- [Comfort](#)
- [Rooflights](#)
- [Lighting](#)
- [Water](#)
- [Level Systems](#)
- [Organisation](#)
- [Safety](#)
- [Ladders](#)
- [Hygiene](#)
- [Vehicle Covers](#)
- [Miscellaneous](#)



## COMFORT

## MIX

### CHOOSE THE PRODUCT THAT SUITS YOU

Technical and commercial information on p. 222

	Weight		Weight		Weight
Moskito Net Pro	0,6 kg	Drip Stop 75	0,2 kg	Mud Flap Front	1,2 kg
Moskito Net	0,5 kg	Drip Stop 300	0,8 kg	Mud Flap Rear	1,2 kg
Door Holder	0,1 kg	Drip Stop 1000	2,5 kg		
Omni Stop	0,1 kg				

### HOW TO COMPOSE TABLE LEGS

Technical and commercial information on p. 222

	Weight		Weight
Tube Pro (A)	0,6 kg	Recessed Connection (D)	0,8 kg
Tripod Pro (B)	0,5 kg	Cap (E)	2,5 kg
Conic Connection (C)	0,2 kg	Adapter Tube Pro (F)	1,2 kg

- A Tube Pro**  
Table leg tube. Size 70 cm, can be shortened, diameter 5,5 cm
- B Tripod Pro**  
Reinforced tripod
- C Conic Connection**  
Conical connections
- D Recessed Connection**  
Recessed conical connections
- E Cap**  
Table leg tube
- F Adapter Tube Pro**  
To store the tube pro



FIAMMASTORE

CARRY-BIKE

COMFORT

INFO

- [Awnings](#)
- [Panels and Enclosures](#)
- [Bike Carriers](#)
- [Motorhome](#)
- [Caravan](#)
- [Campervan](#)
- [Van Conversion](#)
- [SUV](#)
- [Garage](#)
- [Accessories](#)
- [Rear Boxes](#)
- [Comfort](#)
- [Rooflights](#)
- [Lighting](#)
- [Water](#)
- [Level Systems](#)
- [Organisation](#)
- [Safety](#)
- [Ladders](#)
- [Hygiene](#)
- [Vehicle Covers](#)
- [Miscellaneous](#)



# We are Italian

## We love "la dolce vita"

We love to travel, the great outdoors, cycling with our family and enjoy the pleasure of good food with our friends. Where we go we feel at home, just park up. Discover the best products for your vehicle!

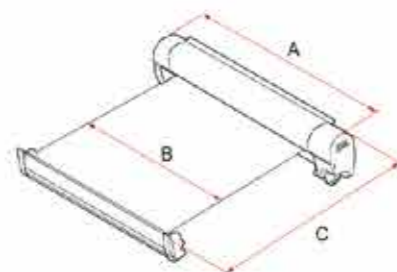


- [Awnings](#)
- [Panels and Enclosures](#)
- [Bike Carriers](#)
- [Motorhome](#)
- [Caravan](#)
- [Campervan](#)
- [Van Conversion](#)
- [SUV](#)
- [Garage](#)
- [Accessories](#)
- [Rear Boxes](#)
- [Comfort](#)
- [Rooflights](#)
- [Lighting](#)
- [Water](#)
- [Level Systems](#)
- [Organisation](#)
- [Safety](#)
- [Ladders](#)
- [Hygiene](#)
- [Vehicle Covers](#)
- [Miscellaneous](#)



- [Awnings](#)
- [Panels and Enclosures](#)
- [Bike Carriers](#)
- [Motorhome](#)
- [Caravan](#)
- [Campervan](#)
- [Van Conversion](#)
- [SUV](#)
- [Garage](#)
- [Accessories](#)
- [Rear Boxes](#)
- [Comfort](#)
- [Rooflights](#)
- [Lighting](#)
- [Water](#)
- [Level Systems](#)
- [Organisation](#)
- [Safety](#)
- [Ladders](#)
- [Hygiene](#)
- [Vehicle Covers](#)
- [Miscellaneous](#)

## F45s



Description	Case finishes	Fabric colours	Length (A)	Length (B)	Extension (C)	Shade surface	Item No.
F45s 190*	Polar White***	R-Q	185 cm	169 cm	100 cm	1,7 m <sup>2</sup>	06280M01(X)
F45s 230			231 cm	214 cm	150 cm	3,2 m <sup>2</sup>	06280P01(X)
F45s 260			263 cm	247 cm	200 cm	4,9 m <sup>2</sup>	06280H01(X)
F45s 300			308 cm	292 cm	250 cm	7,3 m <sup>2</sup>	06280A01(X)
F45s 350			348 cm	331 cm		8,3 m <sup>2</sup>	06280B01(X)
F45s 375			375 cm	357 cm		8,9 m <sup>2</sup>	06280S01(X)
F45s 400 **			398 cm	381 cm		9,5 m <sup>2</sup>	06280C01(X)
F45s 425 **			423 cm	405 cm		10,1 m <sup>2</sup>	06280Q01(X)
F45s 450 **			448 cm	431 cm		10,8 m <sup>2</sup>	06280G01(X)
F45s 190*			Titanium	R-Q	185 cm	169 cm	100 cm
F45s 230	231 cm	214 cm			150 cm	3,2 m <sup>2</sup>	06290P01(X)
F45s 260	263 cm	247 cm			200 cm	4,9 m <sup>2</sup>	06290H01(X)
F45s 300	308 cm	292 cm			250 cm	7,3 m <sup>2</sup>	06290A01(X)
F45s 350	348 cm	331 cm				8,3 m <sup>2</sup>	06290B01(X)
F45s 375	375 cm	357 cm				8,9 m <sup>2</sup>	06290S01(X)
F45s 400 **	398 cm	381 cm				9,5 m <sup>2</sup>	06290C01(X)
F45s 425 **	423 cm	405 cm				10,1 m <sup>2</sup>	06290Q01(X)
F45s 450 **	448 cm	431 cm				10,8 m <sup>2</sup>	06290G01(X)
F45s 190*	Deep Black	R			185 cm	169 cm	100 cm
F45s 230			231 cm	214 cm	150 cm	3,2 m <sup>2</sup>	06759P01R
F45s 260			263 cm	247 cm	200 cm	4,9 m <sup>2</sup>	06759H01R
F45s 300			308 cm	292 cm	250 cm	7,3 m <sup>2</sup>	06759A01R
F45s 325			323 cm	307 cm		7,7 m <sup>2</sup>	06759U01R
F45s 350			348 cm	331 cm		8,3 m <sup>2</sup>	06759B01R
F45s 375			375 cm	357 cm		8,9 m <sup>2</sup>	06759S01R
F45s 400 **			398 cm	381 cm		9,5 m <sup>2</sup>	06759C01R
F45s 425 **			423 cm	405 cm		10,1 m <sup>2</sup>	06759Q01R
F45s 450 **			448 cm	431 cm	10,8 m <sup>2</sup>	06759G01R	

\* Awning for the main door, comes without vertical support legs. \*\* 1 Tension Rafter made of anodized aluminium included.

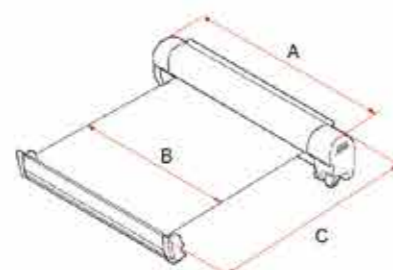
Specify the fabric colour you want when ordering by replacing (X) with: R=Royal Grey, Q=Royal Blue

\*\*\*Ask your local dealer for availability and timing of the Sahara (S), Evergreen (E), Bordeaux (D) fabric versions.

For RHD vehicles available on request the left version awning with winch installed on the left side, case in Polar White and canopy in Royal Grey

- [Awnings](#)
- [Panels and Enclosures](#)
- [Bike Carriers](#)
- [Motorhome](#)
- [Caravan](#)
- [Campervan](#)
- [Van Conversion](#)
- [SUV](#)
- [Garage](#)
- [Accessories](#)
- [Rear Boxes](#)
- [Comfort](#)
- [Rooflights](#)
- [Lighting](#)
- [Water](#)
- [Level Systems](#)
- [Organisation](#)
- [Safety](#)
- [Ladders](#)
- [Hygiene](#)
- [Vehicle Covers](#)
- [Miscellaneous](#)

## F45s campervan



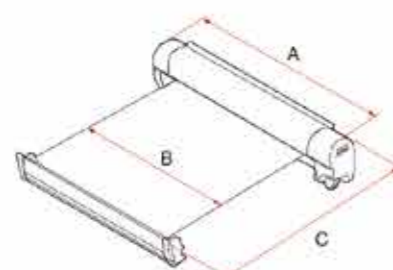
Description	Case finishes	Fabric colours	Length (A)	Length (B)	Extension (C)	Shade surface	Item No.
F45s 260 VW T5/T6 C	Polar White	Royal Grey	263 cm	247 cm	200 cm	4,9 m <sup>2</sup>	06280E01R
F45s 260 VW T5/T6 M / T	Titanium	Royal Grey	263 cm	247 cm	200 cm	4,9 m <sup>2</sup>	06290D01R
F45s 260 VW T5/T6 M / T - RHD			263 cm	247 cm			06291D01R
F45s 260 VW T5/T6 C			263 cm	247 cm			06290E01R
F45s 300 VW T5/T6 M / T - Long			308 cm	292 cm		5,8 m <sup>2</sup>	06290R01R
F45s 300 VW T5/T6 M / T - Long - RHD			308 cm	292 cm			06291R01R
F45s 260 VW T5/T6 M / T			Deep Black	Royal Grey		263 cm	247 cm
F45s 260 VW T5/T6 M / T - RHD	263 cm	247 cm			07129D01R		
F45s 260 VW T5/T6 C	263 cm	247 cm			06759E01R		
F45s 300 VW T5/T6 M / T - Long	308 cm	292 cm			5,8 m <sup>2</sup>	06759R01R	
F45s 300 VW T5/T6 M / T - Long - RHD	308 cm	292 cm				07129R01R	

M: Multivan T: Transporter C: California Long = long wheel base  
Delivered as standard with installation kit, consisting of 2 brackets. No drilling of the vehicle required.

Description	Case finishes	Fabric colours	Length (A)	Length (B)	Extension (C)	Shade surface	Item No.
F45s 260 PSA	Polar White	Royal Grey	263 cm	247 cm	200 cm	4,9 m <sup>2</sup>	06280F01R
F45s 260 PSA	Deep Black		263 cm	247 cm	200 cm	4,9 m <sup>2</sup>	06759F01R

Delivered as standard with installation kit dedicated to PSA group minivans (also for lift roof models)

## F45L



Description	Case finishes	Fabric colours	Length (A)	Length (B)	Extension (C)	Shade surface	Item No.
F45L 450	Polar White*	R-Q	452 cm	435 cm	250 cm	10,9 m <sup>2</sup>	06530-01(X)
F45L 500			502 cm	485 cm		12 m <sup>2</sup>	06530A01(X)
F45L 550			552 cm	535 cm		13,3 m <sup>2</sup>	06530B01(X)
F45L 450	Titanium	R-Q	452 cm	435 cm	250 cm	10,9 m <sup>2</sup>	06532-01(X)
F45L 500			502 cm	485 cm		12 m <sup>2</sup>	06532A01(X)
F45L 550			552 cm	535 cm		13,3 m <sup>2</sup>	06532B01(X)

1 Tension Rafter included, made of anodized aluminium.  
Specify the fabric colour you want when ordering by replacing (X) with: R=Royal Grey, Q=Royal Blue  
\*Ask your local dealer for availability and timing of the Sahara (S), Evergreen (E), Bordeaux (D) fabric versions.

- Awnings
- Panels and Enclosures
- Bike Carriers
- Motorhome
- Caravan
- Campervan
- Van Conversion
- SUV
- Garage
- Accessories
- Rear Boxes
- Comfort
- Rooflights
- Lighting
- Water
- Level Systems
- Organisation
- Safety
- Ladders
- Hygiene
- Vehicle Covers
- Miscellaneous

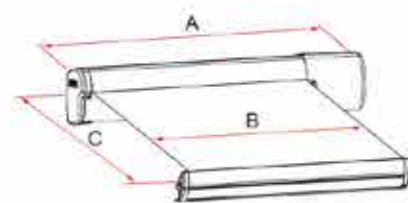
- [Awnings](#)
- [Panels and Enclosures](#)
- [Bike Carriers](#)
- [Motorhome](#)
- [Caravan](#)
- [Campervan](#)
- [Van Conversion](#)
- [SUV](#)
- [Garage](#)
- [Accessories](#)
- [Rear Boxes](#)
- [Comfort](#)
- [Rooflights](#)
- [Lighting](#)
- [Water](#)
- [Level Systems](#)
- [Organisation](#)
- [Safety](#)
- [Ladders](#)
- [Hygiene](#)
- [Vehicle Covers](#)
- [Miscellaneous](#)

## F45eagle

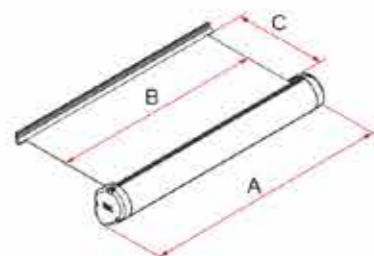
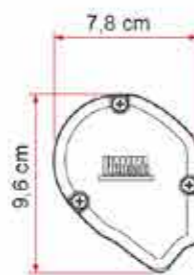


Awning

Motor



## SlideOut



Description	Case finishes	Fabric colour	Length (A)	Length (B)	Extension (C)	Shade surface	Item No.
F45eagle 350	Polar White	Royal Grey	366 cm	335 cm	250 cm	8,3 m <sup>2</sup>	08590-01R
F45eagle 400			416 cm	385 cm		9,6 m <sup>2</sup>	08590A01R
F45eagle 450			466 cm	435 cm		11 m <sup>2</sup>	08590B01R

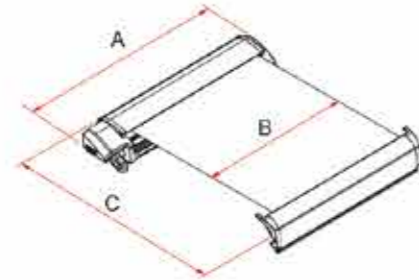
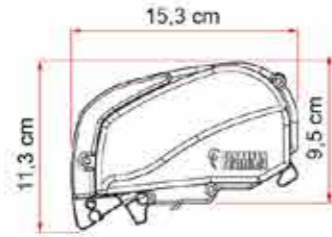
Important: verify with your trusted dealer if your motorhome or motorcaravan is suitable for the installation of the F45eagle with sturdy full length aluminium bracket. The vehicle must be robust enough to support the weight and the tension of the open awning. Fiamma refuses all responsibility for damages to the walls or for water ingress due to incorrect installation or due to installations on weak walls.

Description	Case finishes	Fabric colour	Length (A)	Length (B)	Extension (C)	Shade surface	Item No.
SlideOut 170	Polar White	Royal Grey	168 cm	162 cm	100 cm	1,6 m <sup>2</sup>	06902-01R
SlideOut 200			198 cm	192 cm		1,9 m <sup>2</sup>	06902B01R
SlideOut 280			278 cm	272 cm		2,7 m <sup>2</sup>	06902D01R
SlideOut 170	Deep Black	Royal Grey	168 cm	162 cm	100 cm	1,6 m <sup>2</sup>	07158-01R
SlideOut 200			198 cm	192 cm		1,9 m <sup>2</sup>	07158B01R
SlideOut 280			278 cm	272 cm		2,7 m <sup>2</sup>	07158D01R

The awning is delivered as standard with installation brackets, not equipped with legs and arms, exclusively designed for slide out walls.



## F80s



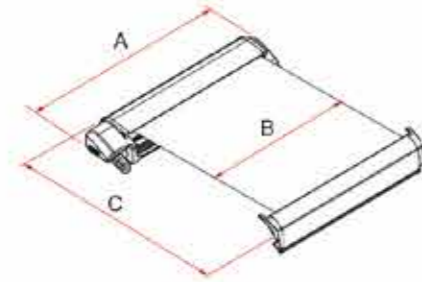
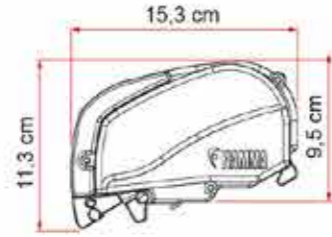
Description	Case finishes	Fabric colours	Length (A)	Length (B)	Extension (C)	Shade surface	Item No.
F80s 290	Polar White	R-Q	290 cm	278 cm	250 cm	5,6 m <sup>2</sup>	07830A01(X)
F80s 320			320 cm	308 cm		7,7 m <sup>2</sup>	07830B01(X)
F80s 340			340 cm	328 cm		8,2 m <sup>2</sup>	07830C01(X)
F80s 370			370 cm	358 cm		9,0 m <sup>2</sup>	07830D01(X)
F80s 400 *			400 cm	388 cm		9,7 m <sup>2</sup>	07830E01(X)
F80s 425 *			425 cm	412 cm		10,3 m <sup>2</sup>	07830F01(X)
F80s 450 *			450 cm	431 cm		10,8 m <sup>2</sup>	07830G01(X)
F80s 290	Titanium	R-Q	290 cm	278 cm	250 cm	5,6 m <sup>2</sup>	07832A01(X)
F80s 320			320 cm	308 cm		7,7 m <sup>2</sup>	07832B01(X)
F80s 340			340 cm	328 cm		8,2 m <sup>2</sup>	07832C01(X)
F80s 370			370 cm	358 cm		9,0 m <sup>2</sup>	07832D01(X)
F80s 400 *			400 cm	388 cm		9,7 m <sup>2</sup>	07832E01(X)
F80s 425 *			425 cm	412 cm		10,3 m <sup>2</sup>	07832F01(X)
F80s 450 *			450 cm	431 cm		10,8 m <sup>2</sup>	07832G01(X)
F80s 290	Deep Black	R	290 cm	278 cm	250 cm	5,6 m <sup>2</sup>	07831A01R
F80s 320			320 cm	308 cm		7,7 m <sup>2</sup>	07831B01R
F80s 340			340 cm	328 cm		8,2 m <sup>2</sup>	07831C01R
F80s 370			370 cm	358 cm		9,0 m <sup>2</sup>	07831D01R
F80s 400 *			400 cm	388 cm		9,7 m <sup>2</sup>	07831E01R
F80s 425 *			425 cm	412 cm		10,3 m <sup>2</sup>	07831F01R
F80s 450 *			450 cm	431 cm		10,8 m <sup>2</sup>	07831G01R

\* 1 Tension Rafter made of anodized aluminium included.  
Specify the fabric colour you want when ordering by replacing (X) with: R=Royal Grey, Q=Royal Blue

For product features see p. 22

- [Awnings](#)
- [Panels and Enclosures](#)
- [Bike Carriers](#)
- [Motorhome](#)
- [Caravan](#)
- [Campervan](#)
- [Van Conversion](#)
- [SUV](#)
- [Garage](#)
- [Accessories](#)
- [Rear Boxes](#)
- [Comfort](#)
- [Rooflights](#)
- [Lighting](#)
- [Water](#)
- [Level Systems](#)
- [Organisation](#)
- [Safety](#)
- [Ladders](#)
- [Hygiene](#)
- [Vehicle Covers](#)
- [Miscellaneous](#)

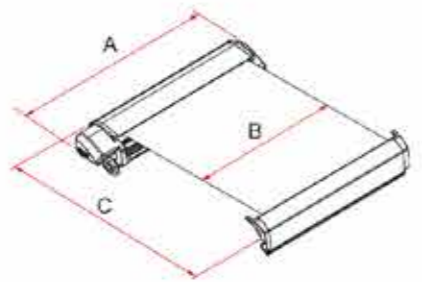
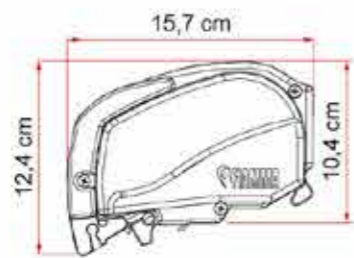
## F80s Ducato



Description	Case finishes	Fabric colours	Length (A)	Length (B)	Extension (C)	Shade surface	Item No.
F80s Ducato 320	Deep Black	Royal Grey	320 cm	308 cm	250 cm	7,7 m <sup>2</sup>	07831N01R
F80s Ducato 370			370 cm	358 cm		9,0 m <sup>2</sup>	07831P01R

Delivered as standard with installation kit and gasket

## F80L



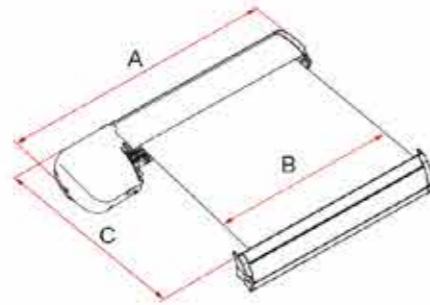
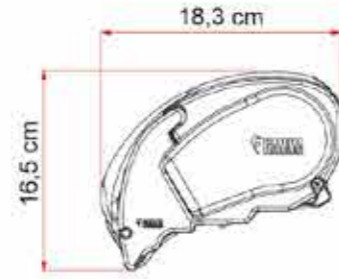
Description	Case finishes	Fabric colours	Length (A)	Length (B)	Extension (C)	Shade surface	Item No.
F80L 450*	Polar White	R-Q	454 cm	438 cm	275 cm	12 m <sup>2</sup>	07840G01(X)
F80L 500*			497 cm	480 cm		13,2 m <sup>2</sup>	07840H01(X)
F80L 550**			547 cm	530 cm		14,6 m <sup>2</sup>	07840L01(X)
F80L 600**			597 cm	580 cm		16 m <sup>2</sup>	07840M01(X)
F80L 450*	Titanium	R-Q	454 cm	438 cm	275 cm	12 m <sup>2</sup>	07842G01(X)
F80L 500*			497 cm	480 cm		13,2 m <sup>2</sup>	07842H01(X)
F80L 550**			547 cm	530 cm		14,6 m <sup>2</sup>	07842L01(X)
F80L 600**			597 cm	580 cm		16 m <sup>2</sup>	07842M01(X)
F80L 450*	Deep Black	R	454 cm	438 cm	275 cm	12 m <sup>2</sup>	07841G01R
F80L 500*			497 cm	480 cm		13,2 m <sup>2</sup>	07841H01R
F80L 550**			547 cm	530 cm		14,6 m <sup>2</sup>	07841L01R
F80L 600**			597 cm	580 cm		16 m <sup>2</sup>	07841M01R

\* 1 Tension Rafter made of anodized aluminium included

\*\* 2 Tension Rafters made of anodized aluminium included

Specify the fabric colour you want when ordering by replacing (X) with: R=Royal Grey, Q=Royal Blue

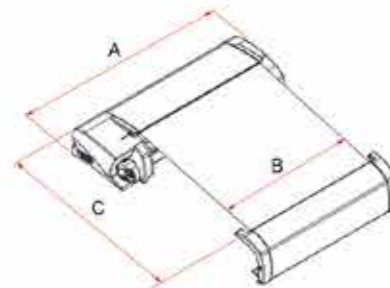
## F65eagle



Description	Case finishes	Fabric colour	Length (A)	Length (B)	Extension (C)	Shade surface	Item No.
F65eagle 400	Polar White	Royal Grey	420 cm	380 cm	250 cm	9,5 m <sup>2</sup>	08540C01R
F65eagle 400	Titanium	Royal Grey	420 cm	380 cm	250 cm	9,5 m <sup>2</sup>	08542C01R
F65eagle Ducato 319	Polar White	Royal Grey	320 cm	285 cm	250 cm	7,2 m <sup>2</sup>	08540F01R
F65eagle Ducato 369	Polar White	Royal Grey	370 cm	335 cm	250 cm	8,3 m <sup>2</sup>	08540G01R
F65eagle Ducato 399	Polar White	Royal Grey	405 cm	369 cm	250 cm	9,2 m <sup>2</sup>	08540H01R

Important: verify with your trusted dealer if your motorhome or motorcaravan is suitable for the installation of the F65eagle. The vehicle must be robust enough to support the weight and the tension of the open awning. Fiamma refuses all responsibility for damages to the roofs or for water ingress due to incorrect installation or due to installations on weak roofs

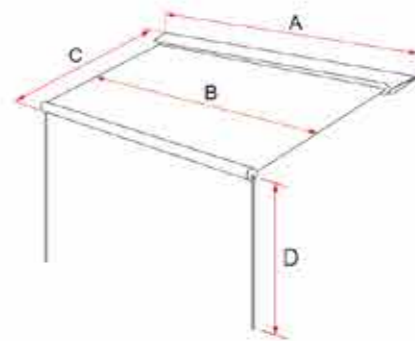
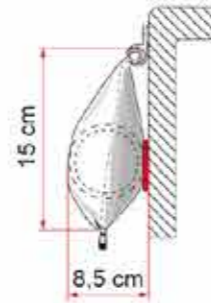
## F40van



Description	Case finishes	Fabric colour	Length (A)	Length (B)	Extension (C)	Shade surface	Item No.
F40van	Deep Black	Royal Grey	270 cm	257 cm	225 cm	5,8 m <sup>2</sup>	07503H01R

- [Awnings](#)
- [Panels and Enclosures](#)
- [Bike Carriers](#)
- [Motorhome](#)
- [Caravan](#)
- [Campervan](#)
- [Van Conversion](#)
- [SUV](#)
- [Garage](#)
- [Accessories](#)
- [Rear Boxes](#)
- [Comfort](#)
- [Rooflights](#)
- [Lighting](#)
- [Water](#)
- [Level Systems](#)
- [Organisation](#)
- [Safety](#)
- [Ladders](#)
- [Hygiene](#)
- [Vehicle Covers](#)
- [Miscellaneous](#)

## CaravanStore / XL



Description	Bag colour	Fabric colours	Length (A)	Length (B)	Extension (C)	Height from ground (D)	Shade surface	Item No.
CStore 190	grey	R-Q	193 cm	162 cm	180 cm	195 cm	2,9 m <sup>2</sup>	06760-01(X)
CStore 225			235 cm	202 cm	225 cm	225 cm	4,5 m <sup>2</sup>	06760A01(X)
CStore 255			264 cm	232 cm			5,2 m <sup>2</sup>	06760B01(X)
CStore XL 280	grey	R-Q	286 cm	254 cm	250 cm	225 cm	6,4 m <sup>2</sup>	07740C01(X)
CStore XL 310			316 cm	284 cm			7,1 m <sup>2</sup>	07740D01(X)
CStore XL 360			366 cm	334 cm			8,4 m <sup>2</sup>	07740E01(X)
CStore XL 410 *			415 cm	384 cm			9,6 m <sup>2</sup>	07740F01(X)
CStore XL 440 **			448 cm	414 cm			10,4 m <sup>2</sup>	07740G01(X)
CStore XL 500 ***			497 cm	465 cm			11,6 m <sup>2</sup>	07740H01(X)
CStore XL 550 ***			547 cm	515 cm			12,9 m <sup>2</sup>	07740L01(X)
CStore XL 310 Black	black	R	316 cm	284 cm	250 cm	225 cm	7,1 m <sup>2</sup>	07760D01R
CStore XL 360 Black			366 cm	334 cm			8,4 m <sup>2</sup>	07760E01R
CStore XL 410 * Black			415 cm	384 cm			9,6 m <sup>2</sup>	07760F01R

\* 1 tension Rafter CaravanStore included \*\* 1 tension Rafter CaravanStore and 1 CaravanStore Support Leg Included \*\*\* 2 CaravanStore Support Leg Included  
Specify the fabric colour you want when ordering by replacing (X) with: R=Royal Grey,Q=Royal Blue

- [Awnings](#)
- [Panels and Enclosures](#)
- [Bike Carriers](#)
- [Motorhome](#)
- [Caravan](#)
- [Campervan](#)
- [Van Conversion](#)
- [SUV](#)
- [Garage](#)
- [Accessories](#)
- [Rear Boxes](#)
- [Comfort](#)
- [Rooflights](#)
- [Lighting](#)
- [Water](#)
- [Level Systems](#)
- [Organisation](#)
- [Safety](#)
- [Ladders](#)
- [Hygiene](#)
- [Vehicle Covers](#)
- [Miscellaneous](#)

FIAMMASTORE

AWNINGS

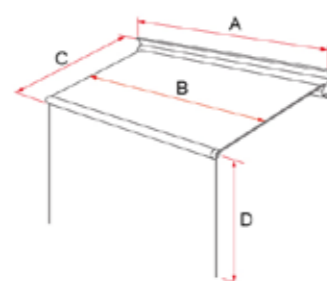
FIAMMASTORE

CARRY-BIKE

COMFORT

INFO

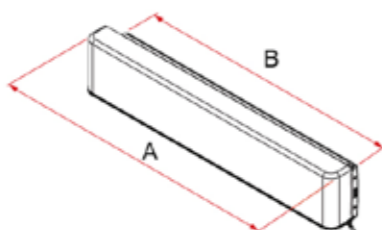
## F35pro



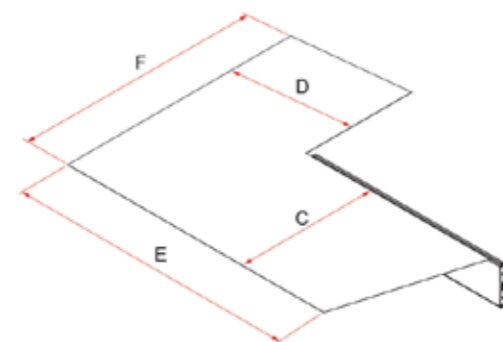
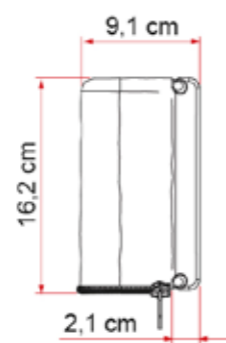
Description	Case finishes	Fabric colours	Length (A)	Length (B)	Extension (C)	Max. Height from ground (D)	Shade surface	Item No.
F35pro 180	Titanium	R-Q	183 cm	162 cm	180 cm	195 cm	2,9 m <sup>2</sup>	06762-01(X)
F35pro 220			223 cm	202 cm	225 cm	225 cm	4,5 m <sup>2</sup>	06762A01(X)
F35pro 250			253 cm	232 cm			5,2 m <sup>2</sup>	06762B01(X)
F35pro 270			273 cm	254 cm			5,7 m <sup>2</sup>	06762C01(X)
F35pro 300			303 cm	282 cm	6,4 m <sup>2</sup>	06762D01(X)		
F35pro 180	Deep Black	R	183 cm	162 cm	180 cm	195 cm	2,9 m <sup>2</sup>	06458-01R
F35pro 220			223 cm	202 cm	225 cm	225 cm	4,5 m <sup>2</sup>	06458A01R
F35pro 250			253 cm	232 cm			5,2 m <sup>2</sup>	06458B01R
F35pro 270			273 cm	254 cm			5,7 m <sup>2</sup>	06458C01R
F35pro 300			303 cm	282 cm	6,4 m <sup>2</sup>	06458D01R		

Specify the fabric colour you want when ordering by replacing (X) with: R=Royal Grey, Q=Royal Blue

## Compass



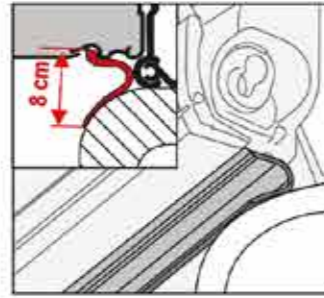
Description	Bag colour	Bag length (A)	Support length (B)	Min height from ground	Item No.
Compass 220	Silver	220 cm	214 cm	200 cm	07260A01J
Compass 260		260 cm	254 cm	200 cm	07260B01J
Compass 220	Black	220 cm	214 cm	200 cm	07261A01J
Compass 260		260 cm	254 cm	200 cm	07261B01J



Description	Extension (C)	Extension (D)	Length (E)	Length (F)	Shade surface
Compass 220	148 cm	145 cm	300 cm	336 cm	7,2 m <sup>2</sup>
Compass 260	176 cm	173 cm	358 cm	370 cm	9,9 m <sup>2</sup>

Bag: Silver or Black - Canopy: Light Grey

## Rain Guard and Cover



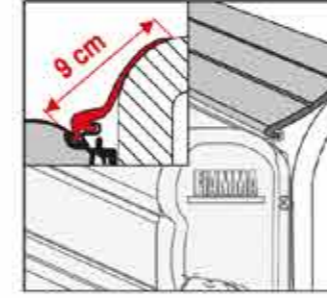
[1] Rain Guard Lower



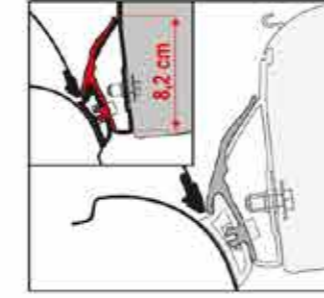
[2] Rain Guard S



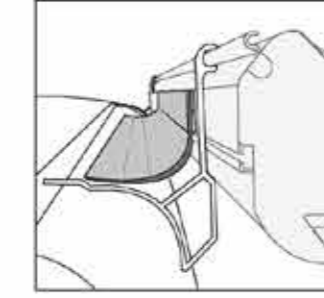
[3] Rain Guard M



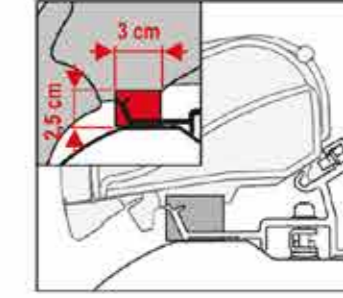
[4] Rain Guard L



[5] Rain Guard California

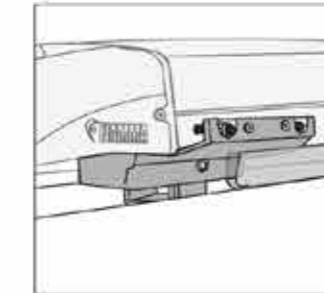


[6] Kit Rain Guard Van

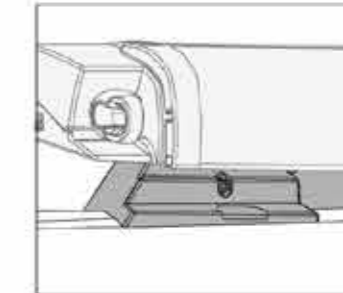


[7] Kit Rain Guard F80 / F65

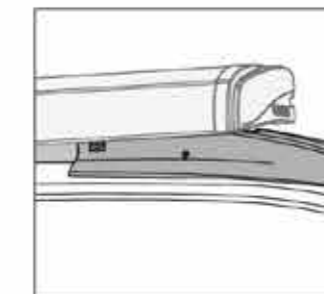
Description	Rail length	Weight	Item No.	In combination with bracket kit:
[1] Rain Guard Lower	Sold by meter	0,35 kg/m	06299-01-	-
[1] Kit Rain Guard Lower 550	550 cm	1,9 kg	98655Z017	-
[2] Rain Guard S	Sold by meter	0,25 kg/m	03910-01-	-
[2] Kit Rain Guard S 550	550 cm	0,8 kg	98655Z014	-
[3] Rain Guard M	Sold by meter	0,25 kg/m	03477-01-	-
[3] Kit Rain Guard M 550	550 cm	1,4 kg	98655Z015	-
[4] Rain Guard L	Sold by meter	0,30 kg/m	04629-01-	-
[4] Kit Rain Guard L 550	550 cm	3,1 kg	98655Z016	-
[5] Kit Rain Guard California	200 cm	0,70 kg	98655-663	-
[6] Kit Rain Guard Van	300 cm	0,80 kg	98655-947	-
[7] Kit Rain Guard F80/F65	450 cm	1,10 kg	98655-020	-
[7] Kit Rain Guard F80/F65 50	50 cm	0,10 kg	98655Z019	-
[8] Kit Rain Guard F40van VWT5/T6 *	270 cm	0,80 kg	98655Z039	98655Z030 - 98655Z038 (RHD) 98655Z041 (RHD)
[9] Kit Rain Guard F40van Ford Custom L1 *	2x 100 cm	0,80 kg	98655Z052	98655Z044
[9] Kit Rain Guard F40van Ford Custom L1 - RHD *	2x 100 cm	0,80 kg	98655Z047	98655Z046
[9] Kit Rain Guard F40van Ford Custom L2 *	2x 110 cm	0,80 kg	98655Z054	98655Z045
[9] Kit Rain Guard F40van Ford Custom L2 - RHD *	2x 110 cm	0,80 kg	98655Z053	98655Z045
[10] Kit Rain Guard F40van Mercedes V Class *	2x 110 cm	0,80 kg	98655Z077	98655Z078
[11] Kit Cover VW Caddy Maxi	-	0,30 kg	98655Z094	98655Z109



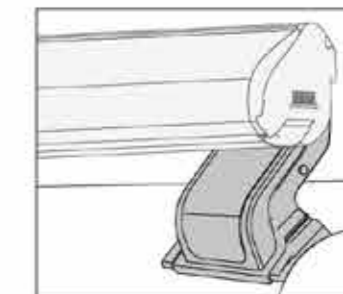
[8] Kit Rain Guard F40van VWT5/T6



[9] Kit Rain Guard F40van Ford Custom



[10] Kit Rain Guard F40van Mercedes V Class



[11] Kit Cover VW Caddy Maxi

## Awning accessories

Description	Rafter F45 / F80 / F65	Rafter Pro	Rafter CaravanStore / XL	Magicrofter	Magicrofter Pro
Item No.	98655A007	98655A002	03888-02-	98655-716	98655-847
Weight	0,8 kg		0,6 kg	0,8 kg	

Description	Kit Awning Pegs	Kit Awning Plate	Kit Awning Hangers
Item No.	98655-880	98655-724	98655-743
Weight	0,6 kg	0,3 kg	0,8 kg

Description	Tie Down Yellow	Tie Down Black	Tie Down S Yellow	Tie Down S Black	Tie Down S CaravanStore Black
Item No.	98655-128	98655-129	98655-567	98655-133	98655-638
Weight	1,2 kg				
Colour	yellow	black	yellow	black	

Description	Spoiler S	Safety Strip
Item No.	05150-01A	98655Z006
Weight	0,1 kg	
Dimensions	16x15,5h cm	-

Description	Patio-Mat 290	Patio-Mat 340	Patio-Mat 390	Patio-Mat 440	Patio-Mat 490	Patio-Bag
Item No.	07681-01-	07682-01-	07683-01-	07684-01-	07701-01-	08206-01-
Weight	3,2 kg	3,5 kg	3,8 kg	4,2 kg	4,6 kg	0,2 kg
Dimensions	2,9 x 2,5 m	3,4 x 2,5 m	3,9 x 2,5 m	4,4 x 2,5 m	4,9 x 2,5 m	90 x 35 x 16 cm
Awning length	300-310	350-360	400-410	440-450	490-500	-
Surface	7,25 m <sup>2</sup>	8,50 m <sup>2</sup>	9,75 m <sup>2</sup>	11,25 m <sup>2</sup>	12,25 m <sup>2</sup>	-

Description	Crank Handle Short	Crank Handle Standard	Crank Handle Telescopic	Kit Repair Plus
Item No.	01756B01A	04660-01-	03878C01-	03878C01-
Weight	0,3 kg	0,4 kg	0,7 kg	0,1 kg
Standard with	F45s VW T5/T6 - F45 PSA - F40van	F45s	F45L - F80s - F80L	-

[Awnings](#)

[Panels and Enclosures](#)

[Bike Carriers](#)

[Motorhome](#)

[Caravan](#)

[Campervan](#)

[Van Conversion](#)

[SUV](#)

[Garage](#)

[Accessories](#)

[Rear Boxes](#)

[Comfort](#)

[Rooflights](#)

[Lighting](#)

[Water](#)

[Level Systems](#)

[Organisation](#)

[Safety](#)

[Ladders](#)

[Hygiene](#)

[Vehicle Covers](#)

[Miscellaneous](#)

## Motor Kit / Enclosure accessories

Description	Motor Kit Compact F80s			Motor Kit Plus F80s			Motor Kit Advanced F80s			Kit Upgrade Advanced F80s
Item No.	07929-01-	07929-01T	07929-01H	07929-02-	07929-02T	07929-02H	08320-01-	08320-01T	08320-01H	98655Z111
Colour	Polar White	Titanium	Deep Black	Polar White	Titanium	Deep Black	Polar White	Titanium	Deep Black	-
Weight	1,9 kg			2,0 kg			2,0 kg			0,1 kg

For product features see p. 38

Description	Motor Kit Compact F45s			Motor Kit Compact F45L		Motor Kit Advanced F45L	
Item No.	08319-01P	08319-01T	08319-01H	08318-01P	08318-01T	08451-01P	08451-01T
Colour	Polar White	Titanium	Deep Black	Polar White	Titanium	Polar White	Titanium
Weight	2,0 kg			2,0 kg		2,0 kg	

F45s for RHD vehicles (UK) available on request. The Motor Kit is not suitable for Fiamma ZIP awnings.

Motor Kit Compact F65L		
08448-01P	08448-01T	08448-01H
Polar White	Titanium	Deep Black
2,0 kg		

For product features see p. 39

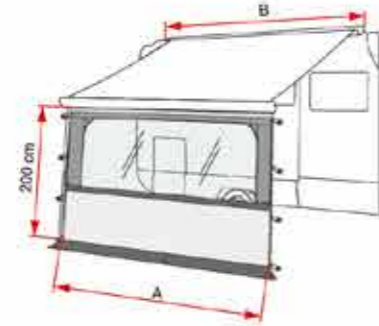
Description	Kit Poles Light	CaravanStore Support Leg	Privacy Rail Kit	Pack Organizer Privacy	Kit Poles
Item No.	06020-01-	03732C01-	07364-01-	07366-01-	06537-01-
Weight	2,0 kg	1,7 kg	2,0 kg	0,4 kg	0,7 kg

Description	Kit Magic Privacy Front for awnings from 260 to 360 and 450	Kit Magic Privacy Front for awnings 400/410 and 440	Kit Magic Privacy Front for awnings 500 and 550	Kit Magic Privacy Side	Door Pole F45 - CaravanStore	Door Pole F65 - F80
Item No.	06856-01-	06856-02-	06856-03-	06856-04-	05161-02-	05161-08-
Weight	2,0 kg	2,7 kg	3,0 kg	1,1 kg	0,8 kg	

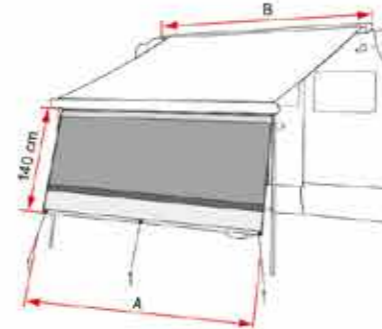
Description	Mega Bag Elite	Mega Bag Smart L	Rain Caps F45s	Rain Caps F45L	Curtains Kit Smoke - 2 pcs.	Curtains Kit Smoke - 6 pcs.
Item No.	08373-01-	08374A01-	06893-01-	06893A01-	98655A484	98655A483
Weight	1,2 kg	1,0 kg	0,10 kg	0,20 kg	2,7 kg	3,0 kg
Dimensions	150x35x35 cm					



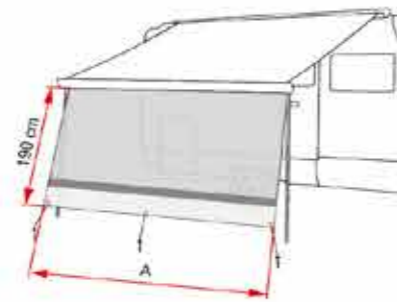
## Front panels



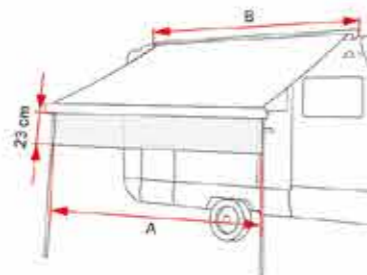
Blocker Pro



Blocker



Sun View

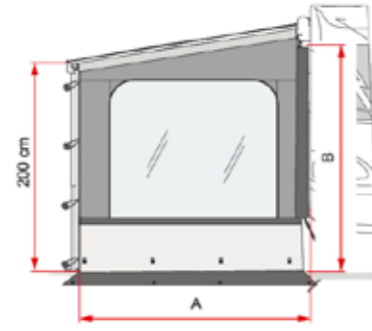


Shade Sun View

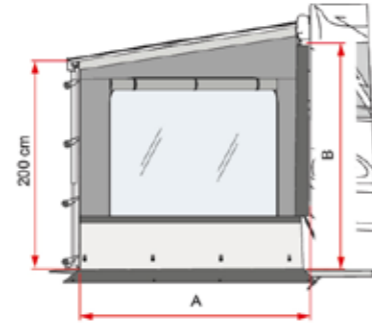
Description	F45s / F45L	F80s / F80L	F4ovan	CStore / XL	F35 pro	Length A	Min. awning length B	Weight	Item No.
Blocker Pro 100 *	●	●		●	●	± 100 cm	-	0,8 kg	07971-12-
Blocker Pro 250	●			●	●	± 235 cm	250 cm	2,7 kg	07971-01-
Blocker Pro 260 Van	●		●		●	± 250 cm	260 cm	2,7 kg	07971A01-
Blocker Pro 280		●		●	●	± 255 cm	270 cm	3,0 kg	07971-02-
Blocker Pro 300	●	●		●	●	± 285 cm	300 cm	3,2 kg	07971-03-
Blocker Pro 325	●	●		●		± 310 cm	325 cm	3,4 kg	07971-13-
Blocker Pro 350	●	●		●		± 335 cm	340 cm	3,8 kg	07971-04-
Blocker Pro 375	●					± 360 cm	370 cm	4,1 kg	07971-05-
Blocker Pro 400	●	●		●		± 385 cm	400 cm	4,5 kg	07971-06-
Blocker Pro 425	●	●				± 410 cm	425 cm	4,7 kg	07971-07-
Blocker Pro 440				●		± 415 cm	440 cm	4,9 kg	07971-08-
Blocker Pro 450	●	●				± 435 cm	450 cm	5,0 kg	07971-09-
Blocker Pro 500	●			●		± 463 cm	500 cm	5,5 kg	07971-10-
Blocker Pro 550	●			●		± 513 cm	550 cm	6,0 kg	07971-11-
Blocker 260	●		●	●	●	± 253 cm	250 cm	2,3 kg	07972-04-
Blocker 300	●	●		●	●	± 285 cm	300 cm	2,6 kg	07972-01-
Blocker 325	●	●		●		± 310 cm	325 cm	2,7 kg	07972-06-
Blocker 350	●	●		●		± 335 cm	340 cm	2,9 kg	07972-02-
Blocker 400	●	●		●		± 385 cm	400 cm	3,3 kg	07972-03-
Blocker 450	●	●				± 438 cm	450 cm	4,0 kg	07972-05-
Sun View XL 100	●	●	●	●	●	± 100 cm	-	0,5 kg	08184-01-
Sun View XL 260	●			●	●	± 250 cm	250 cm	1,9 kg	08184-02-
Sun View XL 300	●	●		●	●	± 285 cm	300 cm	2,1 kg	08184-03-
Sun View XL 325	●	●		●		± 310 cm	325 cm	2,2 kg	08184-11-
Sun View XL 350	●	●		●		± 335 cm	340 cm	2,3 kg	08184-04-
Sun View XL 375	●					± 360 cm	370 cm	2,4 kg	08184-05-
Sun View XL 400	●	●		●		± 385 cm	400 cm	2,5 kg	08184-06-
Sun View XL 425	●	●				± 410 cm	425 cm	2,6 kg	08184-07-
Sun View XL 450	●	●				± 435 cm	450 cm	2,7 kg	08184-08-
Sun View XL 500	●			●		± 463 cm	500 cm	2,9 kg	08184-09-
Sun View XL 550	●			●		± 513 cm	550 cm	3,1 kg	08184-10-
Shade Sun View	●	●	●	●	●	± 550 cm	190 cm	0,5 kg	07758-01-

● Suitable for  
\* Blocker Pro 100 doesn't have Crystal window

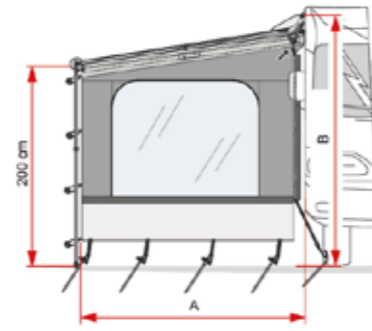
## Side panels



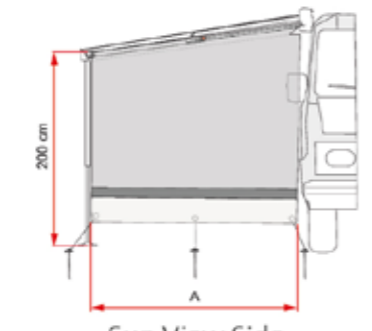
Side W Pro



Side W Pro Shade



Side W CaravanStore



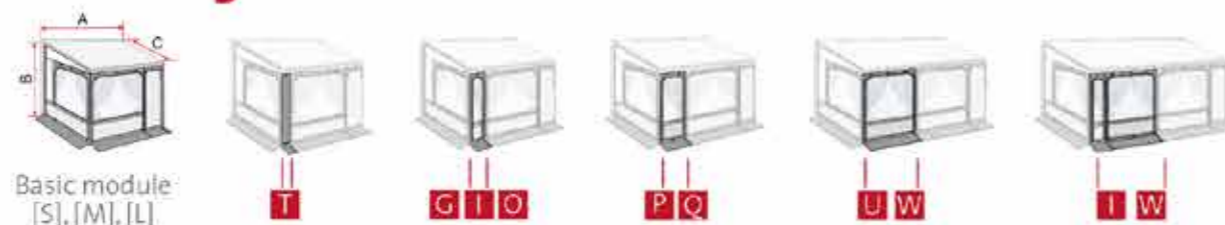
Sun View Side

Description	F45s F45L	F80s / F80L	F40 van	Caravan- Store/XL	F35 pro	Length A	Height from ground B	Weight	Item No.
Side W Pro F45 / F65 / F80	●	○				230 cm	225-280 cm	4,2 kg	07973-01-
Side W Pro XXL F45 / F65 / F80	●	○				230 cm	280-330 cm	4,5 kg	07973B01-
Side W Pro F80L XL		●				250 cm	245-280 cm	4,8 kg	07974A01-
Side W Pro F80L XXL		●				245 cm	281-310 cm	4,9 kg	07974B01-
Side W Pro Van F45	●					190 cm	180-200 cm	3,4 kg	07973A01-
Side W Pro Ducato		●				230 cm	225-280 cm	4,2 kg	07974-01-
Side W Pro F40			●			210 cm	180-210 cm	3,0 kg	07979-01-
Side W Pro CaravanStore / F35				●	●	210 cm	240-260 cm	4,5 kg	07977-01-
Side W Pro CaravanStore XL				●		240 cm	240-260 cm	4,8 kg	07977B01-
Side W Pro F35 Van					●	210 cm	180-220 cm	4,2 kg	07977A01-
Side W Pro Shade F45 / F65 / F80 right	●	○				230 cm	225-280 cm	5,3 kg	07975-01-
Side W Pro Shade F45 / F65 / F80 left	●	○				230 cm	225-280 cm	5,3 kg	07976-01-
Side W CaravanStore / F35				●	●	210 cm	240-260 cm	3,9 kg	07978-01-
Side W CaravanStore XL				●		240 cm	240-260 cm	4,2 kg	07978A01-
Sun View Side F45 / F65 / F80	●	○				230 cm	220-260 cm	1,4 kg	08185-01-
Sun View Side F80L		●				250 cm	245-310 cm	1,7 kg	08185A01-
Sun View Side CaravanStore/F35				●	●	210 cm	180-260 cm	1,3 kg	08186-01-
Sun View Side CaravanStore XL				●		240 cm	180-260 cm	1,6 kg	08186A01-
Kit Side F80s *								0,1 kg	98661-017
Kit Side F65s / F65L *								0,1 kg	98655-073
Kit Side Omnistor 5002/5003 *								0,1 kg	98655-311
Kit Side Tristor *								0,1 kg	98655-079
Kit Side Omnistor 4900/5200 - Tristor 2 *								0,1 kg	98655-927

● Suitable for ○ Suitable by using the Kit Side

\* The Kit Side allow installation of Side W Pro F45, Side W Pro Shade and the Sun View Side F45 on F80/F65 awnings and on Omnistor 5102/4900 and Tristor/Tristor 2 awnings.

## Privacy Room F45



Basic module	Item No.	Weight
P. Room Van 260	[S] 08366-01-	23,7 kg
P. Room 300 - Medium	[M] 08366A01-	24,4 kg
P. Room 300 - Large	[L] 08366B01-	24,7 kg

Front panels	Item No.	Weight
Van 40 cm	<b>G</b> 08367-01-	0,4 kg
25 cm	<b>T</b> 08364N01-	0,3 kg
50 cm	<b>I</b> 08364B01-	0,6 kg
75 cm	<b>O</b> 08364D01-	0,7 kg
100 cm	<b>P</b> 08364E01-	0,9 kg
125 cm	<b>Q</b> 08364F01-	1,2 kg
150 cm	<b>U</b> 08364H01-	1,4 kg
200 cm	<b>W</b> 08364M01-	1,9 kg

Description	Awning length A	Basic module / Height from ground B	Extension C	Composition		
Privacy Room Van 260	260 cm	Van [S]	200 cm	[S]		
Privacy Room Van 300 *	300 cm	180-220 cm		[S] + <b>G</b>		
P. Room 300 Medium	300 cm	Medium [M] 225-250 cm	250 cm	[M]		
P. Room 325 Medium	325 cm			[M] + <b>T</b>		
P. Room 350 Medium	350 cm			[M] + <b>I</b>		
P. Room 375 Medium	375 cm			[M] + <b>O</b>		
P. Room 400 Medium	400 cm			[M] + <b>P</b>		
P. Room 425 Medium	425 cm			[M] + <b>Q</b>		
P. Room 450 Medium	450 cm			[M] + <b>U</b>		
P. Room 300 Large	300 cm			Large [L] 251-280 cm	250 cm	[L]
P. Room 325 Large	325 cm					[L] + <b>T</b>
P. Room 350 Large	350 cm					[L] + <b>I</b>
P. Room 375 Large	375 cm	[L] + <b>O</b>				
P. Room 400 Large	400 cm	[L] + <b>P</b>				
P. Room 425 Large	425 cm	[L] + <b>Q</b>				
P. Room 450 Large	450 cm	[L] + <b>U</b>				
P. Room 500 Large	500 cm	[L] + <b>W</b>				
P. Room 550 Large	550 cm		[L] + <b>I</b> + <b>W</b>			

## Privacy Room F80s



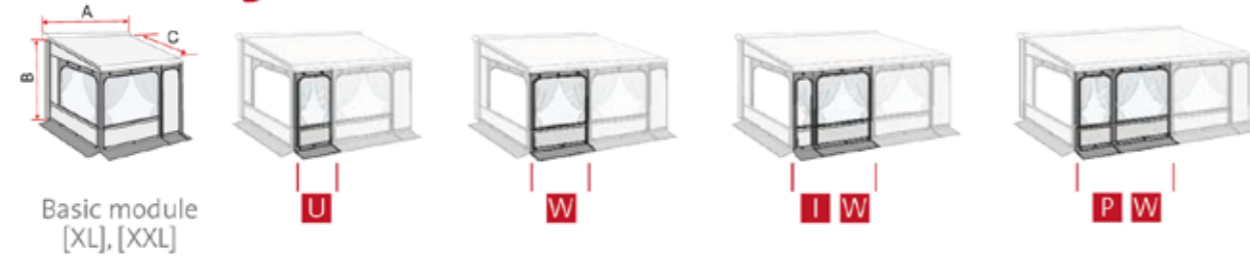
Basic module	Item No.	Weight
P. Room 300 Ducato >06	[S] 08368-01-	23,2 kg
P. Room 300 / H: 245-280 **	[M] 08368B01-	23,2 kg
P. Room 300 H3 *	[L] 08368A01-	24 kg

Front panels	Item No.	Weight
20 cm	<b>F</b> 08364-01-	0,3 kg
40 cm	<b>H</b> 08364A01-	0,6 kg
70 cm	<b>N</b> 08364C01-	0,7 kg
100 cm	<b>P</b> 08364E01-	0,9 kg
125 cm	<b>Q</b> 08364F01-	1,2 kg
150 cm	<b>U</b> 08364H01-	1,4 kg

\* Designed for Mercedes Sprinter, VW Crafter, Fiat Ducato, Citroën Jumper and Peugeot Boxer - H3, Fast Clip Light aluminium poles delivered as standard.  
\*\* This model is suitable for vehicles with straight wall, height from ground 245-280cm.

Description	Awning length A	Basic module / Height from ground B	Extension C	Composition		
P. Room 300 Ducato >06/06	300 cm	Van [S] 245 cm	250 cm	[S]		
P. Room 320 Ducato >06/06	320 cm			[S] + <b>F</b>		
P. Room 340 Ducato >06/06	340 cm			[S] + <b>H</b>		
P. Room 370 Ducato >06/06	370 cm			[S] + <b>N</b>		
P. Room 400 Ducato >06/06	400 cm			[S] + <b>P</b>		
P. Room 425 Ducato >06/06	425 cm			[S] + <b>Q</b>		
P. Room 450 Ducato >06/06	450 cm			[S] + <b>U</b>		
P. Room 300 / H: 245-280	300 cm			Medium [M] 245-280 cm	250 cm	[M]
P. Room 320 / H: 245-280	320 cm					[M] + <b>F</b>
P. Room 340 / H: 245-280	340 cm					[M] + <b>H</b>
P. Room 370 / H: 245-280	370 cm	[M] + <b>N</b>				
P. Room 400 / H: 245-280	400 cm	[M] + <b>P</b>				
P. Room 425 / H: 245-280	425 cm	[M] + <b>Q</b>				
P. Room 450 / H: 245-280	450 cm	[M] + <b>U</b>				
P. Room 300 H3	300 cm	Large [L] 280 cm	250 cm			[L]
P. Room 320 H3	320 cm			[L] + <b>F</b>		
P. Room 340 H3	340 cm			[L] + <b>H</b>		
P. Room 370 H3	370 cm			[L] + <b>N</b>		
P. Room 400 H3	400 cm			[L] + <b>P</b>		
P. Room 425 H3	425 cm			[L] + <b>Q</b>		
P. Room 450 H3	450 cm			[L] + <b>U</b>		

## Privacy Room F80L



Basic module	Item No.	Weight
P. Room 300 - F80L / H: 245-280	[XL] 08370-01-	24,2 kg
P. Room 300 - F80L / H: 281-310	[XXL] 08370A01-	25,8 kg

Front panels	Item No.	Weight
50 cm	<b>I</b> 08364B01-	0,7 kg
100 cm	<b>P</b> 08364E01-	0,9 kg
150 cm	<b>U</b> 08364H01-	1,4 kg
200 cm	<b>W</b> 08364M01-	1,9 kg

Description	Awning length A	Basic module / Height from ground B	Extension C	Composition
P. Room 450 / H: 245-280	450 cm	[XL] 245-280 cm	275 cm	[XL] + <b>U</b>
P. Room 500 / H: 245-280	500 cm			[XL] + <b>W</b>
P. Room 550 / H: 245-280	550 cm			[XL] + <b>W</b> + <b>I</b>
P. Room 600 / H: 245-280	600 cm			[XL] + <b>W</b> + <b>P</b>
P. Room 450 / H: 281-310	450 cm	[XXL] 281-310 cm	275 cm	[XXL] + <b>U</b>
P. Room 500 / H: 281-310	500 cm			[XXL] + <b>W</b>
P. Room 550 / H: 281-310	550 cm			[XXL] + <b>W</b> + <b>I</b>
P. Room 600 / H: 281-310	600 cm			[XXL] + <b>W</b> + <b>P</b>

Description	Item No.
Kit Privacy O	98655-901

Optional kit that allows the mounting of the Fiamma Privacy Room and Privacy Room Light on the awnings Thule 4900-5002-5003-5200, Tristor 2.

## Privacy Room Light

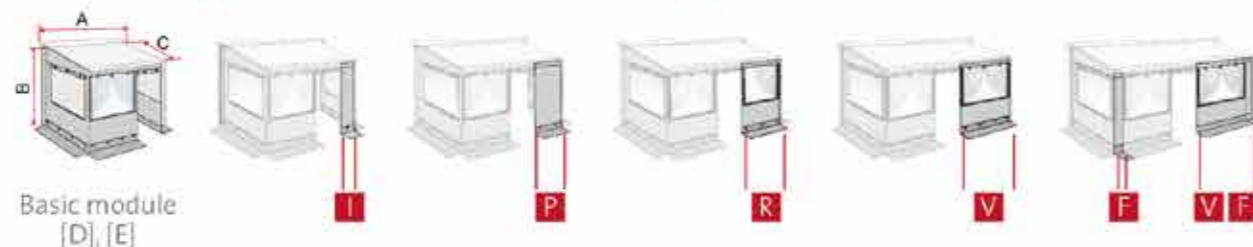


Basic module	Item No.	Weight
Privacy Room Light Van 260	[S] 08362-01-	12 kg
Privacy Room Light 300 - Medium	[M] 08362A01-	14,4 kg
Privacy Room Light 300 - Large	[L] 08362B01-	14,7 kg

Front panels	Item No.	Weight
25 cm	<b>Z</b> 08361G01-	0,4 kg
50 cm	<b>I</b> 08361A01-	0,6 kg
75 cm	<b>O</b> 08361B01-	0,7 kg
100 cm	<b>P</b> 08361C01-	0,8 kg
125 cm	<b>Q</b> 08361D01-	0,9 kg

Description	Awning length A	Basic module / Height from ground B	Extension C	Composition
Privacy Room Light Van 260	260 cm	Van [S] 180-220 cm	200 cm	[S]
P. Room Light 300 Medium	300 cm	Medium [M] 225-250 cm	250 cm	[M]
P. Room Light 325 Medium	325 cm			[M] + <b>Z</b>
P. Room Light 350 Medium	350 cm			[M] + <b>I</b>
P. Room Light 375 Medium	375 cm			[M] + <b>O</b>
P. Room Light 400 Medium	400 cm			[M] + <b>P</b>
P. Room Light 425 Medium	425 cm			[M] + <b>Q</b>
P. Room Light 300 Large	300 cm	Large [L] 251-280 cm	250 cm	[L]
P. Room Light 325 Large	325 cm			[L] + <b>Z</b>
P. Room Light 350 Large	350 cm			[L] + <b>I</b>
P. Room Light 375 Large	375 cm			[L] + <b>O</b>
P. Room Light 400 Large	400 cm			[L] + <b>P</b>
P. Room Light 425 Large	425 cm			[L] + <b>Q</b>

## Privacy Room CS Light / XL



Basic module	Item No.	Weight	Front panels	Item No.	Weight
P. R. CS Light 250 Van	08360A01-	8,7 kg	20 cm	<b>F</b> 08361-01-	0,3 kg
P. R. CS Light 270 Van	08360A02-	9,1 kg	50 cm	<b>I</b> 08361A01-	0,6 kg
P. R. CS Light 280	08360-01-	11,6 kg	100 cm	<b>P</b> 08361C01-	0,8 kg
P. R. CS Light 310	[D] 08360-02-	11,8 kg	130 cm	<b>R</b> 08361E01-	1,0 kg
P. R. CS Light XL 280	08360B01-	12,1 kg	190 cm	<b>V</b> 08361F01-	1,2 kg
P. R. CS Light XL 310	[E] 08360B02-	12,3 kg			

Description	Suitable for	Vehicle	Awning length A	Height B	Extension C	Composition	
P. R. CS Light 250 Van	F35pro 250	Camper-van	250 cm	180-220 cm	225 cm	-	
P. R. CS Light 270 Van	F35pro 270		270 cm			-	
P. R. CS Light 280	CStore 280 - F35pro 270	Caravan	280 cm	240-260 cm		[D]	-
P. R. CS Light 310	CStore 310 - F35pro 300		310 cm		[D]		[D]
P. R. CS Light 360	CStore 360		360 cm		[D] 225 cm		[D] + <b>I</b>
P. R. CS Light 410	CStore 410		410 cm			[D] + <b>P</b>	
P. R. CS Light 440	CStore 440		440 cm			[D] + <b>R</b>	
P. R. CS Light XL 280	CStore XL 280		Caravan		280 cm	250 cm	[E]
P. R. CS Light XL 310	CStore XL 310	310 cm		[E]	[E] + <b>I</b>		
P. R. CS Light XL 360	CStore XL 360	360 cm			[E] + <b>P</b>		
P. R. CS Light XL 410	CStore XL 410	410 cm			[E] + <b>R</b>		
P. R. CS Light XL 440	CStore XL 440	440 cm			[E] + <b>V</b>		
P. R. CS Light XL 500	CStore XL 500	500 cm			[E] + <b>F</b>		
P. R. CS Light XL 550	CStore XL 550	550 cm			[E] + <b>F</b> + <b>V</b> + <b>F</b>		

Description	Item No.
Kit Adapter Privacy Room CS Light F35	98655-925

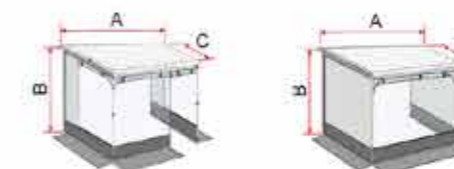
## Privacy Ultra Light



P.Ultra Light Van 260  
P.Ultra Light 300  
P.Ultra Light 350  
P.Ultra Light 400  
P.Ultra Light 450

Description	Awning length A	Height from ground B	Extension C	Weight	Item No.
Privacy Ultra Light Van 260	260 cm	180-220 cm	220 cm	12,3 kg	07350A01-
Privacy Ultra Light 300	300 / 320 cm	230-280 cm	250 cm	14,2 kg	07350-01-
Privacy Ultra Light 350	350 / 370 cm			15,4 kg	07350-02-
Privacy Ultra Light 400	400 cm			16,6 kg	07350-03-
Privacy Ultra Light 450	450 cm			17,8 kg	07350-04-

## Room Van

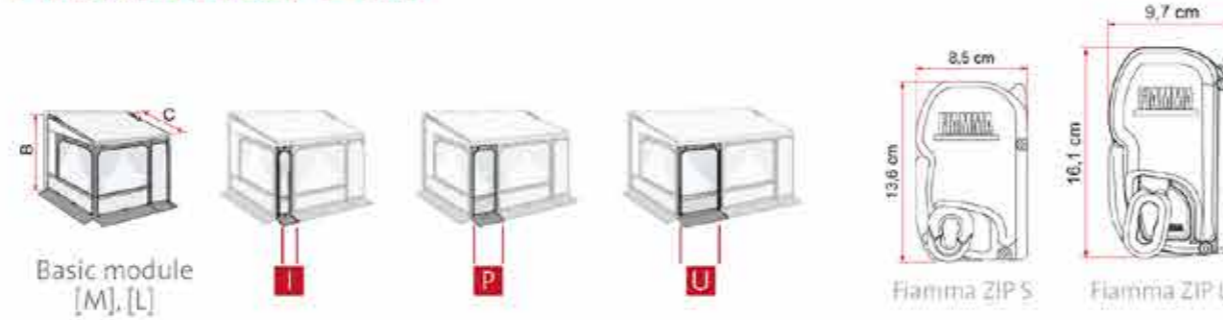


Room Van Premium  
Room Van

Description	Awning length A	Height from ground B	Extension C	Weight	Item No.
Room Van Premium	270 cm	180-210 cm	225 cm	5,4 kg	08210-01-
Room Van				4,8 kg	08209-01-

- [Awnings](#)
- [Panels and Enclosures](#)
- [Bike Carriers](#)
- [Motorhome](#)
- [Caravan](#)
- [Campervan](#)
- [Van Conversion](#)
- [SUV](#)
- [Garage](#)
- [Accessories](#)
- [Rear Boxes](#)
- [Comfort](#)
- [Rooflights](#)
- [Lighting](#)
- [Water](#)
- [Level Systems](#)
- [Organisation](#)
- [Safety](#)
- [Ladders](#)
- [Hygiene](#)
- [Vehicle Covers](#)
- [Miscellaneous](#)

## Fiamma ZIP



Privacy ZIP - Basic module	Item No.	Weight
Fiamma ZIP 300 M	[M] 08365-01-	21 kg
Fiamma ZIP 300 L	[L] 08365A01-	21,3 kg

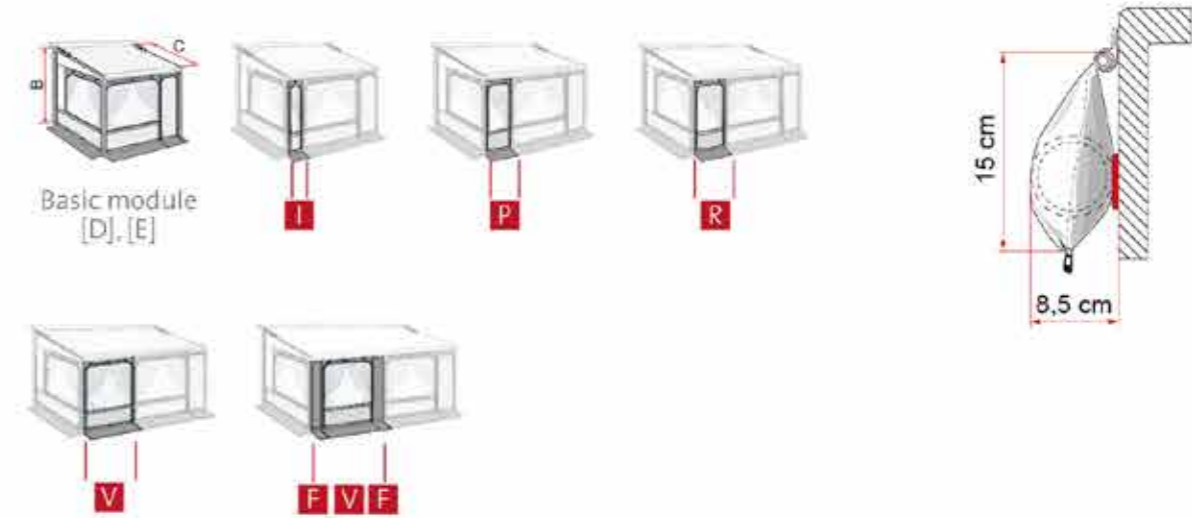
Front panels	Item No.	Weight
50 cm	[I] 08364B01-	0,6 kg
100 cm	[P] 08364E01-	0,9 kg
150 cm	[U] 08364H01-	1,4 kg

Description	ZIP awning
F45s ZIP 300	[D] 06463A01(X)
F45s ZIP 350	[E] 06463B01(X)
F45L ZIP 400	[F] 06531-01(X)
F45L ZIP 450	[G] 06531A01(X)

Specify the fabric colour you want when ordering by replacing (X) with:  
R=Royal Grey, Q=Royal Blue

Description	Basic module / Height from ground B	Extension C	ZIP awning	Privacy ZIP
Fiamma ZIP S 300 Medium	[M] Medium 225-250 cm	250 cm	[D] +	[M]
Fiamma ZIP S 350 Medium			[E] +	[M] + [I]
Fiamma ZIP L 400 Medium			[F] +	[M] + [P]
Fiamma ZIP L 450 Medium			[G] +	[M] + [U]
Fiamma ZIP S 300 Large	[L] Large 251-280 cm	250 cm	[D] +	[L]
Fiamma ZIP S 350 Large			[E] +	[L] + [I]
Fiamma ZIP L 400 Large			[F] +	[L] + [P]
Fiamma ZIP L 450 Large			[G] +	[L] + [U]

## CaravanStore ZIP XL



Privacy Cstore ZIP - Basic module	Item No.	Weight
CaravanStore ZIP XL 280	[D] 08363-01-	21 kg
CaravanStore ZIP XL 310	[E] 08363-02-	21,3 kg

Privacy CStore ZIP - front panels	Item No.	Weight
20 cm	[F] 08364-01-	0,3 kg
50 cm	[I] 08364B01-	0,6 kg
100 cm	[P] 08364E01-	0,9 kg
130 cm	[R] 08364G01-	1,3 kg
190 cm	[V] 08364L01-	1,8 kg

Description	ZIP awning
CaravanStore ZIP XL 280	[G] 06771C02(X)
CaravanStore ZIP XL 310	[H] 06771D02(X)
CaravanStore ZIP XL 360	[L] 06771E02(X)
CaravanStore ZIP XL 410	[M] 06771F02(X)
CaravanStore ZIP XL 440	[N] 06771G02(X)
CaravanStore ZIP XL 500	[Q] 06771H02(X)
CaravanStore ZIP XL 550	[S] 06771L02(X)

Specify the fabric colour you want when ordering by replacing (X) with: R=Royal Grey, Q=Royal Blue

Description	Height from ground B	Extension C	ZIP awning	Privacy ZIP
CaravanStore ZIP XL 280	260-240 cm	250 cm	[G]	[D]
CaravanStore ZIP XL 310			[H]	[E]
CaravanStore ZIP XL 360			[L]	[E] + [I]
CaravanStore ZIP XL 410			[M]	[E] + [P]
CaravanStore ZIP XL 440			[N]	[E] + [R]
CaravanStore ZIP XL 500			[Q]	[E] + [V]
CaravanStore ZIP XL 550			[S]	[E] + [F] (x2) + [V]

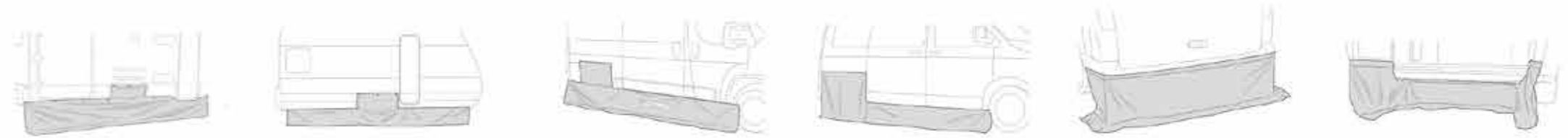
## Rear Door Cover



	Rear Door Cover Ducato	Rear Door Cover VW T5/T6	Kit Poles
Item No.	06357-01-	06539-01-	06537-01-
Weight	3,3 kg	9,8 kg	0,7 kg

For product features see p. 68

## Skirting



	Skirting Motorhome	Skirting Caravan	Skirting VW T5/T6	Skirting Ducato	Rear Skirting Ducato	Rear Skirting VW T5/T6
Item No.	98655-090	98655-084	98655-387	98655-405	06469-01-	06538-01-
Weight	1,7 kg	1,8 kg	0,7 kg	1,4 kg	1,7 kg	1,1 kg

For product features see p.69

## F45

Adapter AS	180
Adapter D	180
Adapter T / U / B / C	181
Arca	180
Bailey MK1	184
Bailey MK 2	184
Brandrup VW T4	186
Brandrup VW T5/T6	186
Bürstner	180
Challenger Chausson	180
Dethleffs Globebus	182
Eriba Touring	184
Eura Mobil Karmann	181
Fiat Ducato - Renault Master	185
Fiat Ducato H2 - Citroën Jumper H2 - Peugeot Boxer H2 (≥ 1994 ≤ 2006)	185
Fiat Ducato H2 - Citroën Jumper H2 - Peugeot Boxer H2 (≥ 2006)	185
Fiat Ducato H2 Lift Roof - Hymercar / Pössl Lift Roof	185
Fiat Ducato H2 Roof Rail - Alu-Line Style	185
Fiat Ducato with Roof Rack	185
Fiberglass Roof	185
Fleurette	182
Ford Custom	187
Ford Custom Nugget High Roof	187
Ford Custom Nugget Lift Roof	185
Ford Transit	184
High Roof Adapter Westfalia	187
Hymer / Van B2	181
Hymer ≥ 2016	183
Hymer Exsis	182

Hymer S	182
Hymer S-E Klasse	182
Hymercamp	183
Kit AS	180
Kit Auto	187
Kit Caravan	184
Kit Multi	184
Kit Roof Adapter	180
Kit Roof Rail	187
Kit S	180
Kit Van	186
Kit Wall Adapter	182
Laika Ecovip - Bürstner - Hobby / Adapter Laika Ecovip	181
Laika Ecovip 07	182
Laika Rexosline - Ecovip 07 - Kreos 09	182
Laika X	182
Mercedes Sprinter H3 - Sprinter H3 Westfalia - VW Crafter H3	186
Mercedes Vito	187
Multirail Reimo VW T5/T6	186
Pilote Explorateur	183
Rail	180
Rapido	183
Rapido Serie 6	183
Rapido Serie 7-8	183
Rapido Serie 9	184
Rapido Serie 9dF - 9M - 10	184
Renault Master H2 - Opel Movano H2 - Nissan Interstar H2	185
Renault Trafic - Opel Vivaro - Nissan NV 300 - Fiat Talento	187

Renault Trafic - Opel Vivaro - Nissan Primastar	187
V Class Marco Polo	187
Voyageur	183
VW T3	186
VW T4 - VW T4 Lift Roof	186
VW T5/T6 Multivan Transporter	186
Wingamm Oasi	184

## F40van

Adapter PSA	
Ford Custom L1	
Ford Custom L2	
Mercedes V Class	193 - 194
Nissan NV 350	
Renault Trafic L1	
Renault Trafic L2	
VW T5/T6	

All bracket codes in the following pages are suitable for the left guide unless otherwise indicated.  
(\*right guide - \*\*right and left guide)



## F65 / F80

Adapter Caravan Roof	190
Arca Mobilvetta K-Yacht	188
Autocruise	188
Bailey	190
Caravan Hobby	191
Carthago Chic Rapido 180 - 190	189
Carthago Malibu	189
Elddis	188
Fiat Ducato / Citroën Jumper / Peugeot Boxer - H2 - L2/L3 (≥ 2006)	191
Fiat Ducato / Citroën Jumper / Peugeot Boxer - H2 - L4 (≥ 2006 - Low profile)	191
Fiat Ducato / Citroën Jumper / Peugeot Boxer - H2 - L4 (≥ 2006)	191
Fiat Ducato / Citroën Jumper / Peugeot Boxer - H2 (≥ 1994 ≤ 2006 - Low profile)	192
Fiat Ducato / Citroën Jumper / Peugeot Boxer - H2 (≥ 1994 ≤ 2006)	192
Fiat Ducato / Citroën Jumper / Peugeot Boxer - H3	191
Fiat Ducato / Citroën Jumper / Peugeot Boxer - Low profile (L2/L3 - ≥ 2006)	191
Ford Transit H3	191
Giottiline - Fendt	188
Hobby Caravan	191
Hobby Easy / Ontour / Adria Adora	190
Hobby Excellent	190
Hobby Premium	190
Hobby Premium & Ontour	190
Hymer	189
Iveco Daily H2	192
Kit Caravan Roof	190
Kit Caravan Standard	190
Kit Fixing Bar	191

Kit Standard	188
Laika Kreos 2005	188
Laika Kreos 21	188
Laika Rexosline / Kreos 09	188
LMC - TEC	189
LMC Adapter Caravan Roof	190
Mercedes Sprinter - Roof Rail	192
Mercedes Sprinter / VW Crafter High Roof	192
Rapido C Line	189
Rapido Distinction	189
Renault Master H2	192
Renault Master H2 - ≥ 2010	192
Smart Clamp Ducato	192
Sprinter F65eagle	193
Standard F65eagle 400	188
VW Crafter - Roof Rail	192
VW Crafter L3 H3	193

## CaravanStore

Hobby CaravanStore	197
--------------------	-----

## Compass

Kit Auto	
Kit Roof Rail	
Renault Trafic	197
VW T5/T6 Transporter / Multivan Compass	

## F35pro

Brandrup VW T4	195
Brandrup VW T5/T6	194
Class V Marco Polo	195
Eriba Touring	196
Ford Custom	196
Ford Custom Cap Coast / Capland / Caplife	196
Ford Custom Capland / Capfun	196
Kit Auto	196
Kit Standard	197
Mercedes Viano / Marco Polo / Vito / V Class	195
Mercedes Vito / Vito Marco Polo	196
Mercedes Vito Jules Verne	196
Multirail Reimo VW T5/T6	195
Nissan NV200	196
PSA	196
Rail	197
Renault Trafic / Opel Vivaro / Fiat Talento / Nissan Primastar	195
Renault Trafic / Opel Vivaro / Fiat Talento / NV 300 / Rapido Mirande S	195
VW Caddy Maxi	194
VW Caddy Maxi Lift Roof	194
VW T3 / T3 Lift Roof	195
VW T4 Lift Roof	195
VW T5/T6 California	195
VW T5/T6 Multivan Transporter	194
VW T5/T6 Multivan Transporter (Roof Rail)	194
VW T6 Kepler	194

All bracket codes in the following pages are suitable for the left guide unless otherwise indicated.  
 (\*right guide - \*\*right and left guide)

FIAMMASTORE

ADAPTERS - WALL INSTALLATION

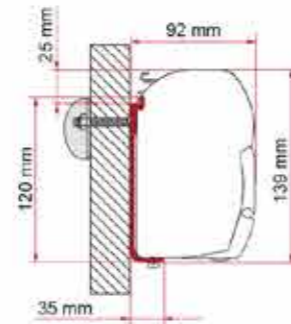
● black finish brackets

\* for right hand drive

\*\* for left and right hand drive

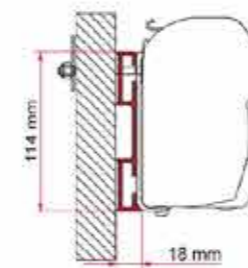
## F45

### ADAPTER AS / KIT S / KIT AS



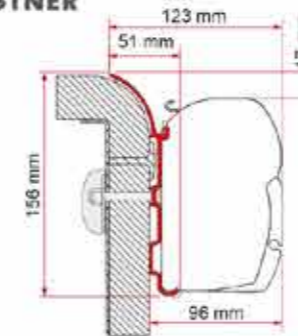
	Quantity / Length	Item No.
Adapter AS 300	1 x 300 cm	98655-503
Adapter AS 350	1 x 350 cm	98655-504
Adapter AS 400	1 x 400 cm	98655-505
Adapter AS 450	1 x 450 cm	98655-928
Kit S 120	1 x 12 cm	98655-392
Kit S 400	1 x 40	98655-381
Kit AS 110 (Standard from 190 to 230 cm)	2 x 120 cm	98655-2007
Kit AS 120 (Standard from 260 to 400 cm)	2 x 12 cm - 1 x 8 cm	98655-391
Kit AS 400 (Standard from 450 to 500 cm)	2 x 40 cm - 1 x 12 cm	98655-390
Kit AS 400 L (Standard from 550 cm)	4 x 40 cm	98655-393

### ADAPTER D



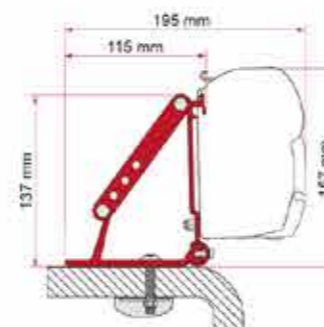
	Quantity / Length	Item No.
Adapter D	1 x 8 cm	98655-021
	1 x 12 cm	98655-022

### KIT / ADAPTER BÜRSTNER



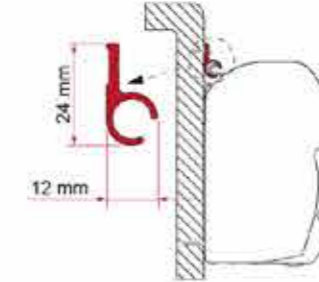
	Quantity / Length	Item No.
Kit Bürstner	2 x 12 cm - 1 x 8 cm	98655-749
Adapter Bürstner	1 x 450 cm	98655-661

### KIT ROOF ADAPTER



	Quantity / Length	Item No.
Kit Roof Adapter	3 x 8 cm	98655-316

### RAIL

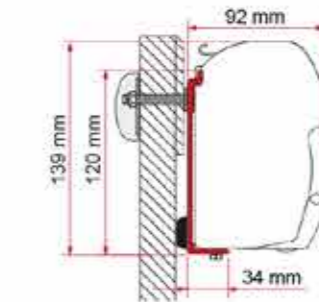


	Quantity / Length	Item No.
Rail	1 x 300 cm	02361-01A
	1 x 400 cm	02361-01C

### KIT CHALLENGER CHAUSSON

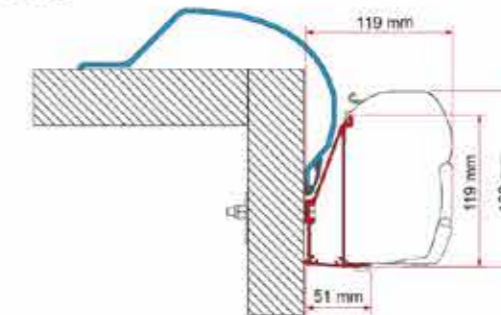


Eden Allegro



	Quantity / Length	Item No.
Kit Challenger Chausson	2 x 8 cm - 1 x 40 cm	98655-258

### ADAPTER ARCA



	Quantity / Length	Item No.
Adapter Arca	1 x 400 cm	98655-852

FIAMMASTORE

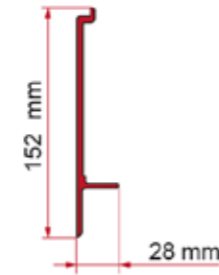
ADAPTERS - WALL INSTALLATION

● black finish brackets

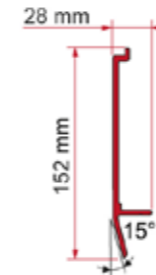
\* for right hand drive

\*\* for left and right hand drive

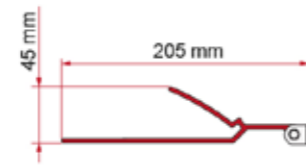
### ADAPTER T / U / B / C



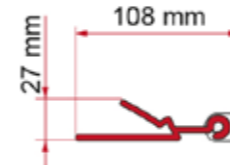
	Quantity	Item No.
Adapter T	1 pc	02437-01-



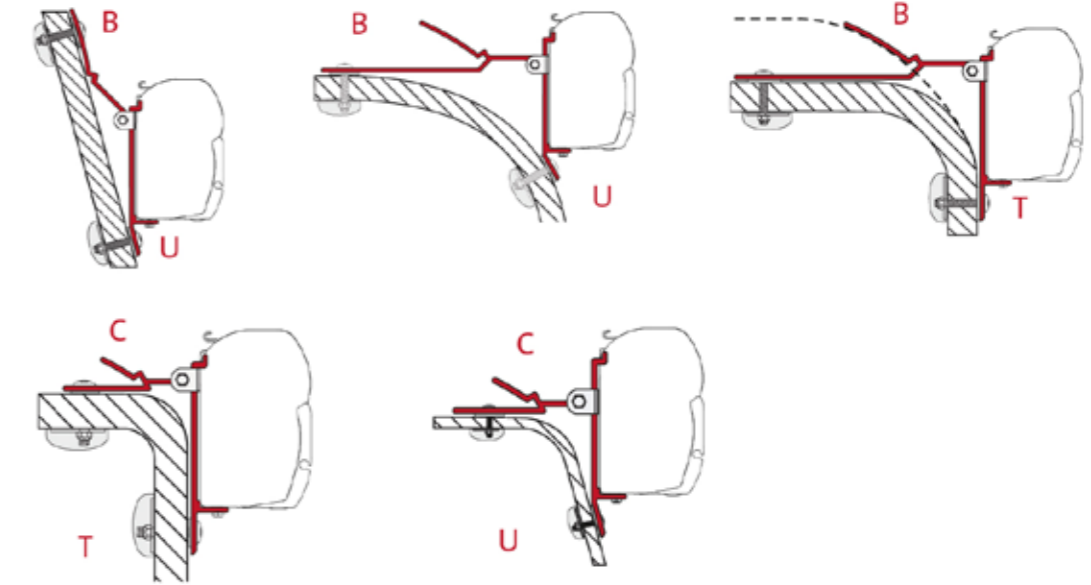
	Quantity	Item No.
Adapter U	1 pc	02437A01-



	Quantity	Item No.
Adapter B	1 pc	02096-01-



	Quantity	Item No.
Adapter C	1 pc	02097-01-



### KIT / ADAPTER HYMER / VAN B2

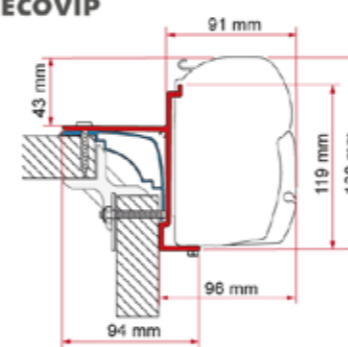


\*Hymermobile B  
Classic B  
Klasse  
Starline



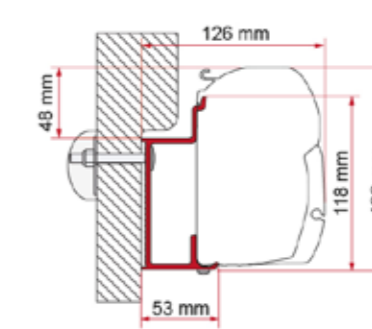
	Quantity / Length	Item No.
Kit Hymer / Van B2	2 x 8 cm - 2 x 35 cm	98655-243
	1 x 350 cm	98655-244
Adapter Hymer / Van B2*	1 x 400 cm	98655-245
	1 x 450 cm	98655-246

### KIT LAIKA ECOVIP - BÜRSTNER - HOBBY / ADAPTER LAIKA ECOVIP



	Quantity / Length	Item No.
Kit Laika Ecovip - Bürstner - Hobby	3 x 15 cm - 1 x 12 cm	98655-357
Adapter Laika Ecovip	1 x 390 cm	98655-469

### ADAPTER EURA MOBIL KARMANN



	Quantity / Length	Item No.
Adapter Eura Mobil Karmann	1 x 350 cm	98655-764
	1 x 400 cm	98655-765
	1 x 450 cm	98655-766

FIAMMASTORE

CARRY-BIKE

COMFORT

INFO

FIAMMASTORE

ADAPTERS - WALL INSTALLATION

● black finish brackets \* for right hand drive \*\* for left and right hand drive

### KIT FLEURETTE



Quantity / Length

Item No.

Kit Fleurette

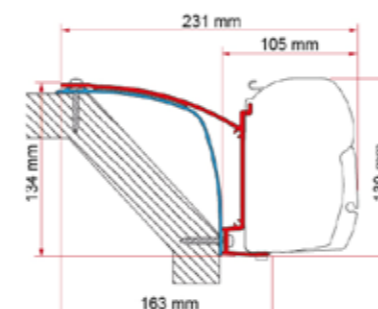
1 x 8 cm -  
2 x 12 cm

98655-082

### KIT LAIKA ECOVIP 07



For awnings  
from 4m



Quantity / Length

Item No.

Kit Laika Ecovip 07

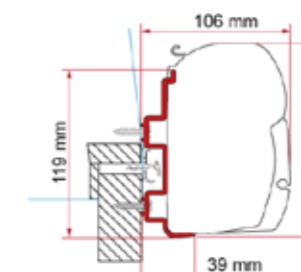
3 x 15 cm

98655-467

### ADAPTER HYMER EXSIS



≤ 2005



Quantity / Length

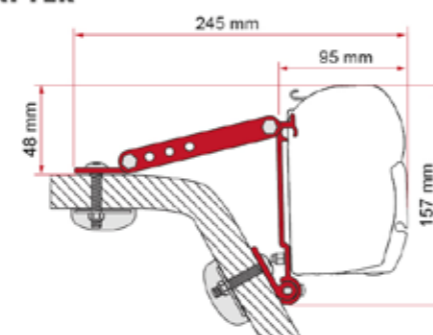
Item No.

Adapter Hymer Exsis

1 x 300 cm

98655-688

### KIT WALL ADAPTER



Quantity / Length

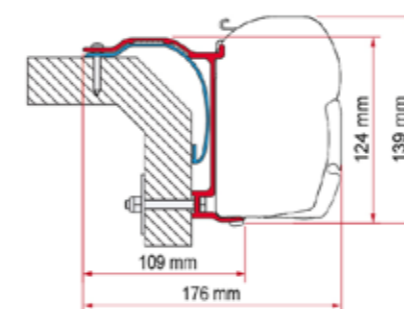
Item No.

Kit Wall Adapter

3 x 8 cm

98655-318

### KIT LAIKA X



Quantity / Length

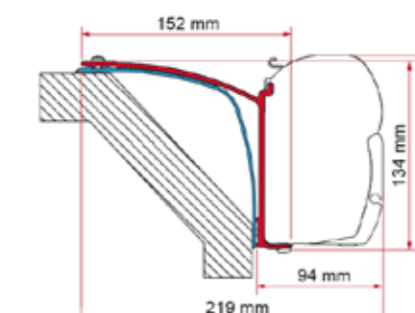
Item No.

Kit Laika X

3 x 15 cm

98655-761

### KIT LAIKA REXOSLINE - ECOVIP 07 - KREOS 09



Quantity / Length

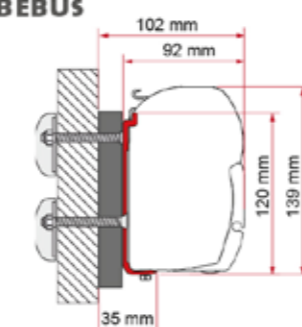
Item No.

Kit Laika Rexosline - Ecovip  
07 - Kreos 09

3 x 15 cm

98655-418

### KIT DETHLEFFS GLOBEBUS



Quantity / Length

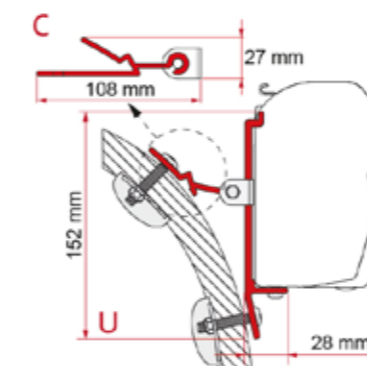
Item No.

Kit Dethleffs Globebus

3 x 12 cm

98655-730

### KIT HYMER S



Quantity / Length

Item No.

Kit Hymer S

3 x 8 cm -  
3 x 8 cm

02097-01- (1pc) +  
02437A01- (1pc)

### ADAPTER HYMER S-E KLASSE



Hymermobile S  
Klasse 650, 740, 820  
Esterel ≥ 2007



Quantity / Length

Item No.

Adapter Hymer  
S-E Klasse

1 x 400 cm  
1 x 450 cm

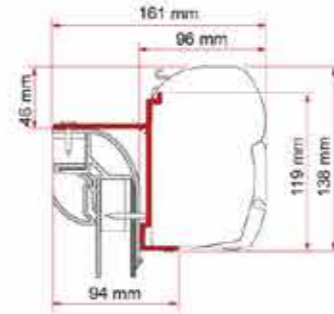
98655-249  
98655-250

FIAMMASTORE

ADAPTERS - WALL INSTALLATION

● black finish brackets \* for right hand drive \*\* for left and right hand drive

### KIT PILOTE EXPLORATEUR

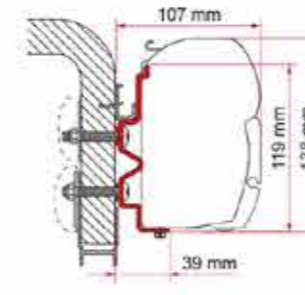


	Quantity / Length	Item No.
Kit Pilote Explorateur	3 x 15 cm	98655-729

### KIT / ADAPTER HYMERCAMP



\* Hymercamp Swing  
Starline  
Hobby Van  
Caravan Hobby og

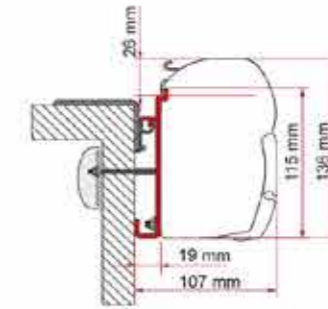


	Quantity / Length	Item No.
Kit Hymercamp	3 x 12 cm	98655-278

### ADAPTER RAPIDO SERIE 7-8

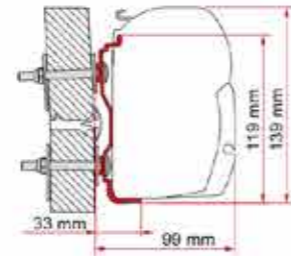


Fiat 860F  
Fiat Garage 860F,  
870F, 890F



	Quantity / Length	Item No.
Kit Rapido Serie 7-8	2 x 8 cm - 1 x 100 cm	9865-222

### KIT / ADAPTER HYMER ≥ 2016



	Quantity / Length	Item No.
Kit Hymer ≥ 2016	3 x 12 cm	986552059

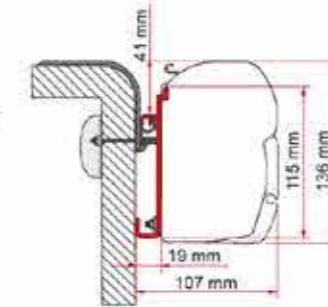
### Adapter Hymercamp\*

	Quantity / Length	Item No.
	1 x 300 cm	98655-277
	1 x 350 cm	98655-276
	1 x 400 cm	98655-274
	1 x 450 cm	98655-275
	1 x 500 cm	98655-273

### ADAPTER RAPIDO



Fiat 708F, 701F, 740F  
Fiat Garage 660,  
770F, 772F  
Mercedes 749M,  
779M

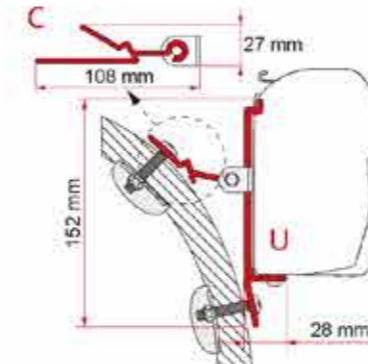


	Quantity / Length	Item No.
Adapter Rapido	1 x 350 cm	98655-398
	1 x 400 cm	98655-399

### Adapter Hymer ≥ 2016

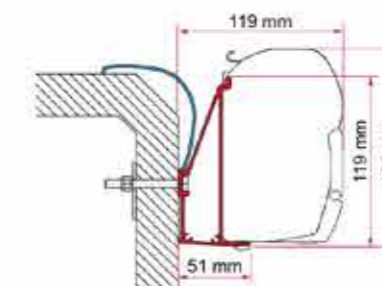
	Quantity / Length	Item No.
	1 x 300 cm	986552060
	1 x 350 cm	986552061
	1 x 400 cm	986552062
	1 x 450 cm	986552063
	1 x 500 cm	986552064

### KIT VOYAGEUR



	Quantity / Length	Item No.
Kit Voyageur	3 x 8 cm - 3 x 8 cm	02097-01- (1pc) + 02437A01- (1pc)

### ADAPTER RAPIDO SERIE 6



	Quantity / Length	Item No.
Adapter Rapido Serie 6	1 x 350 cm	98655-895
	1 x 400 cm	98655-896

FIAMMASTORE

CARRY-BIKE

COMFORT

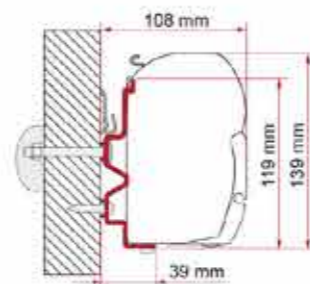
INFO

FIAMMASTORE

ADAPTERS - WALL INSTALLATION

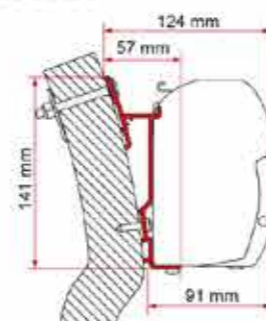
● black finish brackets \* for right hand drive \*\* for left and right hand drive

### ADAPTER RAPIDO SERIE 9dF - 9M - 10



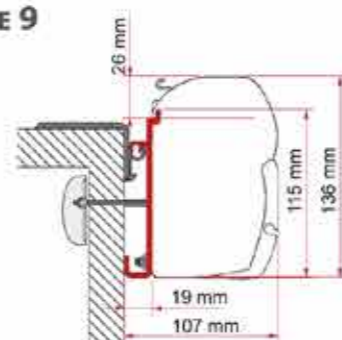
	Quantity / Length	Item No.
Adapter Rapido Serie 9dF - 9M - 10	1 x 350 cm	98655-916
	1 x 400 cm	98655-917
	1 x 450 cm	98655-918

### ADAPTER WINGAMM OASI



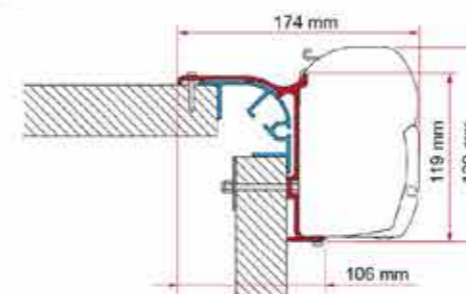
	Quantity / Length	Item No.
Adapter Wingamm Oasi	1 x 230 cm	98655-929
	1 x 300 cm	98655-930
	1 x 350 cm	98655-931

### KIT RAPIDO SERIE 9



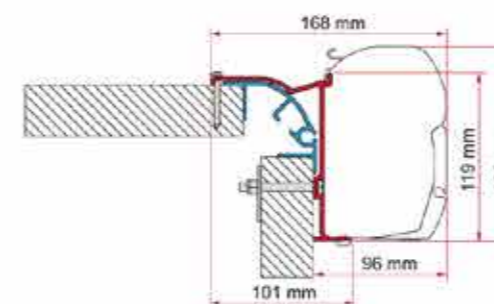
	Quantity / Length	Item No.
Kit Rapido Serie 9	2 x 8 cm - 2 x 12 cm	98655-223

### KIT BAILEY MK 1



	Quantity / Length	Item No.
Kit Bailey MK 1	3 x 15 cm	98655-879

### KIT BAILEY MK 2

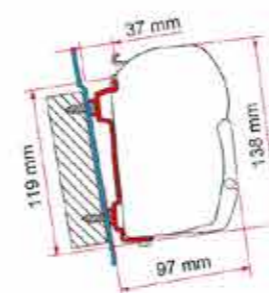


	Quantity / Length	Item No.
Kit Bailey MK 2	3 x 15 cm	98655-946

### KIT FORD TRANSIT

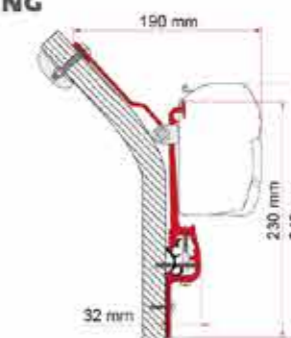


H2 ≤ 2014  
H3 ≥ 2014



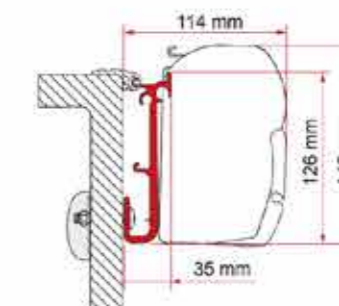
	Quantity / Length	Item No.
Kit Ford Transit	2 x 40 cm	98655-741

### KIT ERIBA TOURING



	Quantity / Length	Item No.
Kit Eriba Touring	3 x 8 cm	98655-283

### KIT CARAVAN

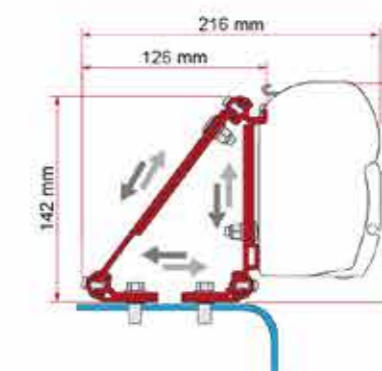


	Quantity / Length	Item No.
Kit Caravan	3 x 13 cm	98655-252

### KIT MULTI



The only modular bracket fitted to compensate the curved roof of the vehicle. Renault Master 98, Fiat Ducato, Citroën Jumper, Peugeot Boxer



	Quantity / Length	Item No.
Kit Multi	1 x 8 cm	98655-011

- [Awnings](#)
- [Panels and Enclosures](#)
- [Bike Carriers](#)
- [Motorhome](#)
- [Caravan](#)
- [Campervan](#)
- [Van Conversion](#)
- [SUV](#)
- [Garage](#)
- [Accessories](#)
- [Rear Boxes](#)
- [Comfort](#)
- [Rooflights](#)
- [Lighting](#)
- [Water](#)
- [Level Systems](#)
- [Organisation](#)
- [Safety](#)
- [Ladders](#)
- [Hygiene](#)
- [Vehicle Covers](#)
- [Miscellaneous](#)

FIAMMASTORE

ADAPTERS - WALL INSTALLATION

● black finish brackets \* for right hand drive \*\* for left and right hand drive

FIAMMASTORE

CARRY-BIKE

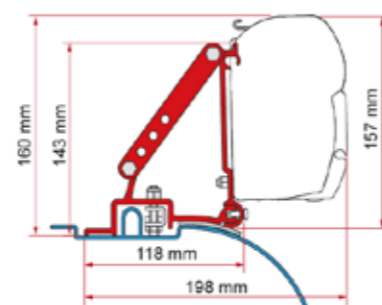
COMFORT

INFO

### KIT FIAT DUCATO H2 - CITROËN JUMPER H2 - PEUGEOT BOXER H2



≥ 1994 ≤ 2006  
H2 - L2/L3



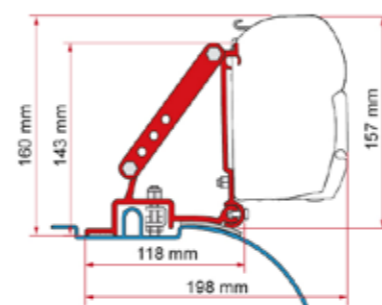
Quantity / Length Item No.

Kit Fiat Ducato H2  
Citroën Jumper H2  
Peugeot Boxer H2 2 x 8 cm 98655-680

### KIT FIAT DUCATO H2 - CITROËN JUMPER H2 - PEUGEOT BOXER H2



≥ 2006  
H2 - L2/L3  
H2 - L4 (2x)



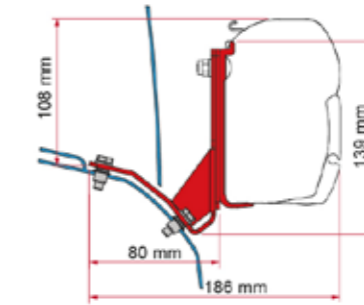
Quantity / Length Item No.

Kit Fiat Ducato H2  
Citroën Jumper H2  
Peugeot Boxer H2 2 x 8 cm 98655-755

### ● KIT FIAT DUCATO H2 LIFT ROOF HYMERCAR / PÖSSL LIFT ROOF



≥ 2006  
H2 - L2/L3/L4



Quantity / Length Item No.

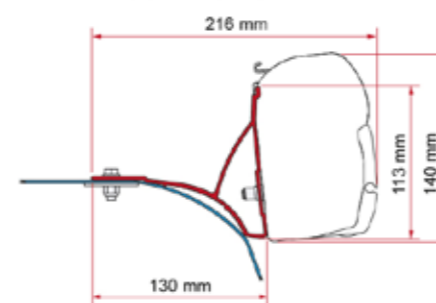
Kit Fiat Ducato H2 Lift  
Roof-Hymercar  
Pössl Lift Roof 3 x 12 cm 986552028

### KIT FIAT DUCATO WITH ROOF RACK



≥ 2006  
H2 - L2/L3

Citroën Jumper  
Peugeot Boxer  
≥ 2006



Quantity / Length Item No.

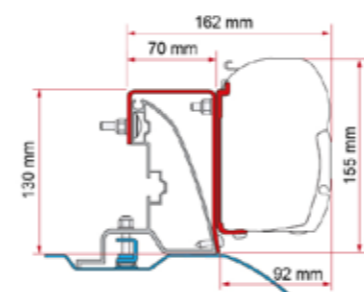
Kit Fiat Ducato  
with Roof Rack 3 x 12 cm 98655-485

### KIT FIAT DUCATO H2 ROOF RAIL - ALU-LINE STYLE



≥ 2006  
H2 - L2/L3

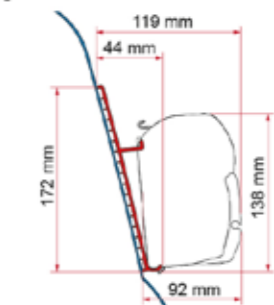
Citroën Jumper  
Peugeot Boxer  
≥ 2006



Quantity / Length Item No.

Kit Fiat Ducato H2 Roof Rail  
Alu-line Style 3 x 12 cm 98655-625

### KIT FIBERGLASS ROOF



Quantity / Length Item No.

Kit Fiberglass Roof 2 x 40 cm 98655-744

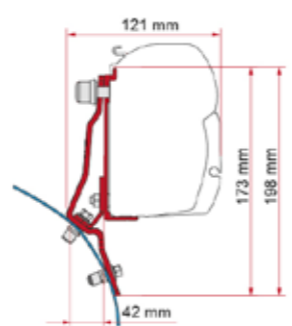
### KIT FIAT DUCATO - RENAULT MASTER



H1/H2

Iveco 35C13 City  
(Fiat New Daily)  
Renault Master ≥ 03/1998

Fiat Ducato  
Peugeot J5  
Citroën C25  
≥ 1981 ≤ 1994



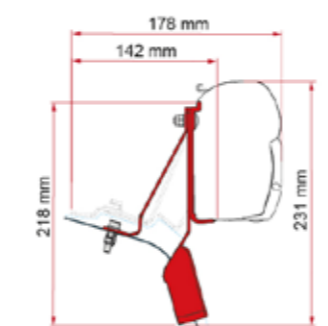
Quantity / Length Item No.

Kit Fiat Ducato  
Renault Master 2 x 14 cm 98655-286

### KIT FORD CUSTOM NUGGET LIFT ROOF



≥ 2015  
H1 - L1



Quantity / Length Item No.

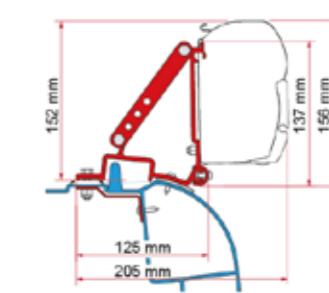
Kit Ford Custom Nugget  
Lift Roof 2 x 8 cm 986552114

### KIT RENAULT MASTER H2 - OPEL MOVANO H2 - NISSAN INTERSTAR H2



H2 - L2/L3

Renault Master  
≥ 1997 ≤ 2009  
Opel Movano  
≥ 1998 ≤ 2010  
Nissan Interstar  
≥ 1998 ≤ 2011



Quantity / Length Item No.

Kit Renault Master H2 -  
Opel Movano H2 -  
Nissan Interstar H2 3 x 8 cm 98655-681

- [Awnings](#)
- [Panels and Enclosures](#)
- [Bike Carriers](#)
- [Motorhome](#)
- [Caravan](#)
- [Campervan](#)
- [Van Conversion](#)
- [SUV](#)
- [Garage](#)
- [Accessories](#)
- [Rear Boxes](#)
- [Comfort](#)
- [Rooflights](#)
- [Lighting](#)
- [Water](#)
- [Level Systems](#)
- [Organisation](#)
- [Safety](#)
- [Ladders](#)
- [Hygiene](#)
- [Vehicle Covers](#)
- [Miscellaneous](#)



FIAMMASTORE

ADAPTERS - WALL INSTALLATION

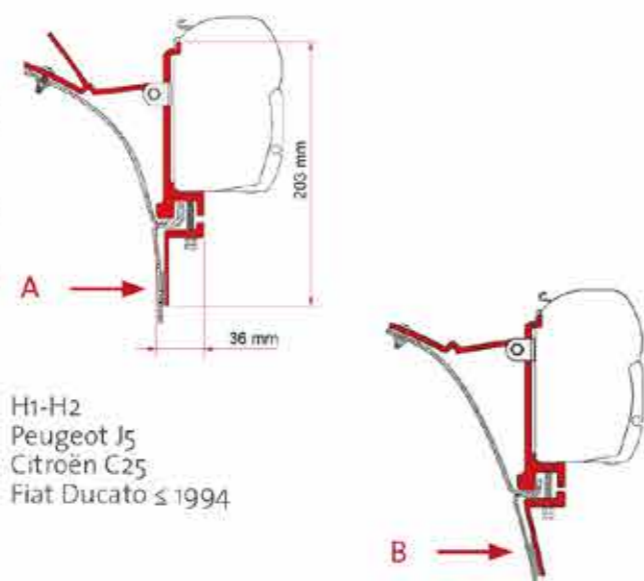
• black finish brackets \* for right hand drive \*\* for left and right hand drive

### KIT VAN



For awnings up to 3,50 m long

Both A and B brackets are delivered as standard with the kit.



H1-H2  
Peugeot J5  
Citroën C25  
Fiat Ducato ≤ 1994

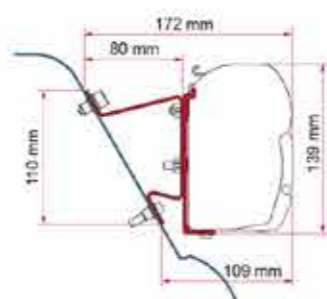
Ford Transit ≤ 2014 - H2  
Mercedes Sprinter 208 D KB

	Quantity / Length	Item No.
Kit Van	2 x 8 cm	98655-017

### KIT MERCEDES SPRINTER H3 - SPRINTER H3 WESTFALIA - VW CRAFTER H3



≥ 2006 ≤ 2016  
H3



	Quantity / Length	Item No.
Kit Mercedes Sprinter H3 - Sprinter H3 Westfalia - VW Crafter H3	3 x 8 cm	98655-591

### KIT BRANDRUP VW T5/T6



≥ 2003  
H1 - L1

VW T5/T6  
Transporter/  
Caravelle/  
Multivan



Kit Brandrup  
VW T5/T6

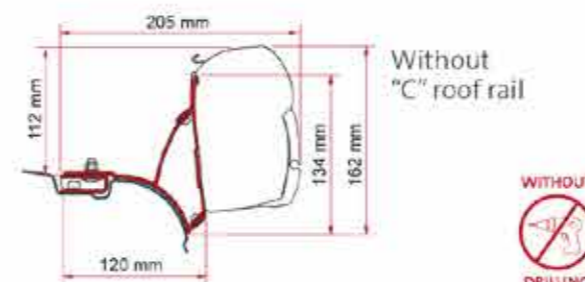
	Quantity / Length	Item No.
Kit Brandrup VW T5/T6	2 x 12 cm	98655-627

### KIT VW T5/T6 MULTIVAN TRANSPORTER



≥ 2003  
H1 - L1

VW T5/T6  
Transporter/  
Caravelle/  
Multivan



Kit VW T5/T6 Multivan  
Transporter

	Quantity / Length	Item No.
Kit VW T5/T6 Multivan Transporter	2 x 21,5 cm	98655-647
	2 x 21,5 cm	* 98655-648

### KIT MULTIRAIL REIMO VW T5/T6



≥ 2003  
H1 - L1

VW T5/T6  
Transporter/  
Caravelle/  
Multivan



Kit Multirail Reimo VW  
T5/T6

	Quantity / Length	Item No.
Kit Multirail Reimo VW T5/T6	2 x 12 cm	98655-590

### KIT BRANDRUP VW T4



≥ 1990 ≤ 2003  
H1 - L1/L2

Reimo Multirail



Kit Brandrup VW T4

	Quantity / Length	Item No.
Kit Brandrup VW T4	2 x 8 cm	98655-2011

### KIT VW T4 - VW T4 LIFT ROOF



≥ 1990 ≤ 2003  
H1 - L1/L2

Also for models with  
lift roof



Kit VW T4 - VW T4 Lift Roof

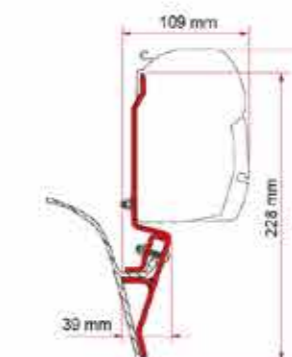
	Quantity / Length	Item No.
Kit VW T4 - VW T4 Lift Roof	2 x 14 cm	98655-292

### • KIT VW T3



≥ 1979 ≤ 1990  
H1

Also for models with  
lift roof



Kit VW T3

	Quantity / Length	Item No.
Kit VW T3	2 x 8 cm	98655-035

- [Awnings](#)
- [Panels and Enclosures](#)
- [Bike Carriers](#)
- [Motorhome](#)
- [Caravan](#)
- [Campervan](#)
- [Van Conversion](#)
- [SUV](#)
- [Garage](#)
- [Accessories](#)
- [Rear Boxes](#)
- [Comfort](#)
- [Rooflights](#)
- [Lighting](#)
- [Water](#)
- [Level Systems](#)
- [Organisation](#)
- [Safety](#)
- [Ladders](#)
- [Hygiene](#)
- [Vehicle Covers](#)
- [Miscellaneous](#)



FIAMMASTORE

ADAPTERS - WALL INSTALLATION

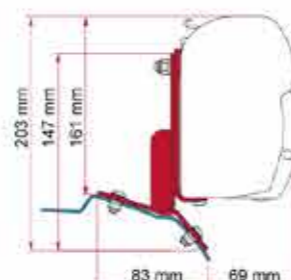
● black finish brackets \* for right hand drive \*\* for left and right hand drive

### • KIT FORD CUSTOM



≥ 2012  
H1 - L1

Only for use with  
the awning F45s  
2.60m



Attention:  
opening/closing  
operations of  
the awning  
must be  
performed with  
the sliding door  
closed.

Quantity / Length Item No.

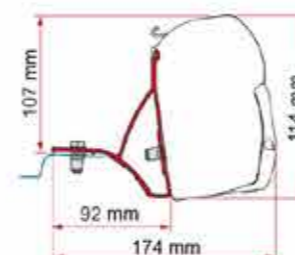
Kit Ford Custom 2 x 12 cm \*\* 986552112

### KIT RENAULT TRAFIC - OPEL VIVARO - NISSAN NV300 - FIAT TALENTO



≥ 2014  
H1 - L1/L2

Opel Vivaro B  
Vauxhall Vivaro B  
≥ 2014 ≤ 2018



Quantity / Length Item No.

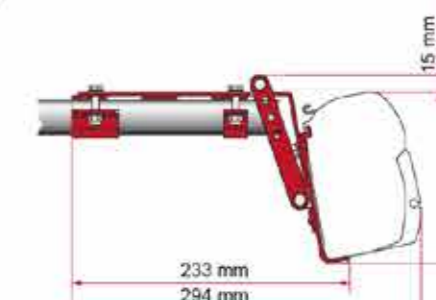
Kit Renault Traffic -  
Opel Vivaro - Nissan  
NV300 - Fiat Talento 2 x 16 cm 986552021

### KIT ROOF RAIL



Rail max width  
5,5cm

Min. 2 Kits  
to install an  
awning



Quantity / Length Item No.

Kit Roof Rail 1 x 12 cm 98655-770

### KIT V CLASS MARCO POLO



≥ 2014  
H1 - L2  
Not suitable  
for Marco Polo  
with electric  
roof



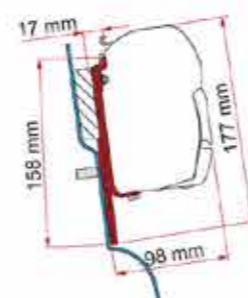
Quantity / Length Item No.

Kit V Class  
Marco Polo 1 x 12 cm -  
1 x 13 cm 986552022

### KIT FORD CUSTOM NUGGET HIGH ROOF



≥ 2015  
H2 - L2



Quantity / Length Item No.

Kit Ford Custom Nugget  
- High Roof 2 x 12 cm 986552023

### KIT HIGH ROOF ADAPTER WESTFALIA



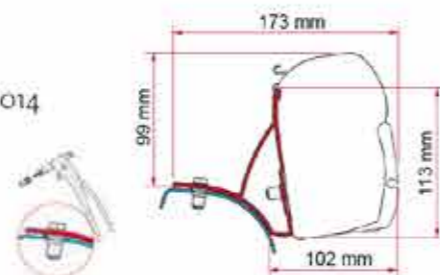
Quantity / Length Item No.

Kit High Roof  
Adapter Westfalia 2 x 12 cm 98655-317

### KIT RENAULT TRAFIC - OPEL VIVARO - NISSAN PRIMASTAR



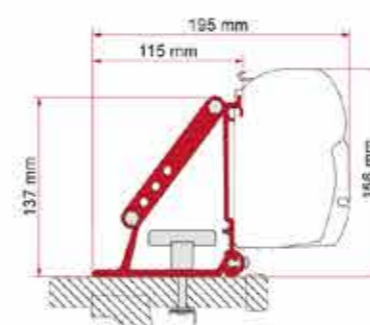
≥ 2001 ≤ 2014  
H1 - L1/L2



Quantity / Length Item No.

Kit Renault Traffic -  
Opel Vivaro -  
Nissan Primastar 2 x 16 cm 98655-854

### KIT AUTO



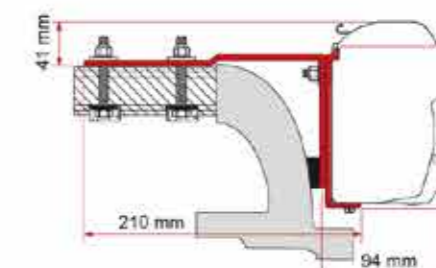
Quantity / Length Item No.

Kit Auto 2 x 8 cm 98655-310

### KIT MERCEDES VITO



≥ 1996 ≤ 2003  
H1 - L1



Quantity / Length Item No.

Kit Mercedes Vito 2 x 14 cm 98655-284

FIAMMASTORE

CARRY-BIKE

COMFORT

INFO

- [Awnings](#)
- [Panels and Enclosures](#)
- [Bike Carriers](#)
- [Motorhome](#)
- [Caravan](#)
- [Campervan](#)
- [Van Conversion](#)
- [SUV](#)
- [Garage](#)
- [Accessories](#)
- [Rear Boxes](#)
- [Comfort](#)
- [Rooflights](#)
- [Lighting](#)
- [Water](#)
- [Level Systems](#)
- [Organisation](#)
- [Safety](#)
- [Ladders](#)
- [Hygiene](#)
- [Vehicle Covers](#)
- [Miscellaneous](#)

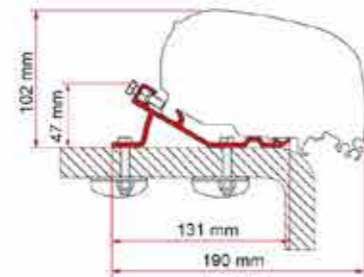
FIAMMASTORE

ADAPTERS - ROOF INSTALLATION

● black finish brackets \* for right hand drive \*\* for left and right hand drive

## F80 / F65

### KIT STANDARD

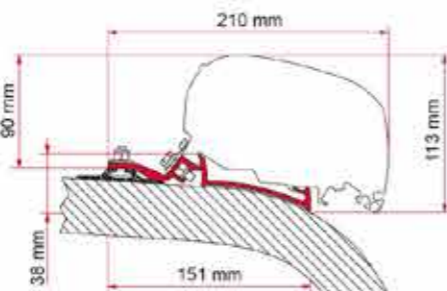


	Quantity / Length	Item No.
Kit Standard	3 x 20 cm	98655-855

### KIT GIOTTILINE - FENDT

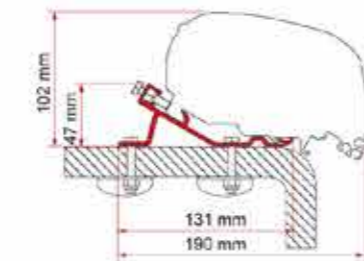


For Genetics / Graal



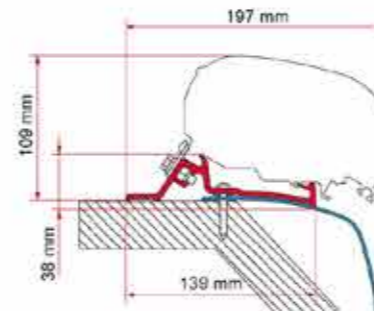
	Quantity / Length	Item No.
Kit Giottiline-Fendt	3 x 15 cm	98655-725

### ADAPTER STANDARD F65EAGLE 400



	Quantity / Length	Item No.
Adapter Standard F65eagle 400	1 x 400 cm	98655-969

### KIT LAIKA REXOSLINE / KREOS 09

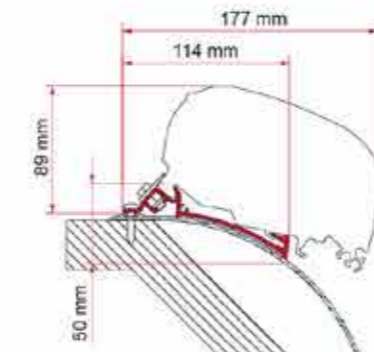


	Quantity / Length	Item No.
Kit Laika Rexosline / Kreos 09	4 x 15 cm	98655-419

### KIT LAIKA KREOS 2005



≥ 2005

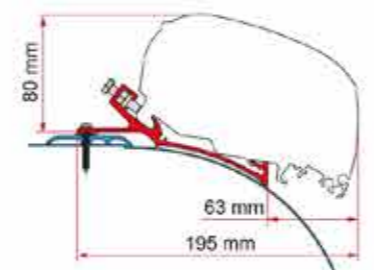


	Quantity / Length	Item No.
Kit Laika Kreos 05	3 x 15 cm	98655-698

### KIT LAIKA KREOS 21

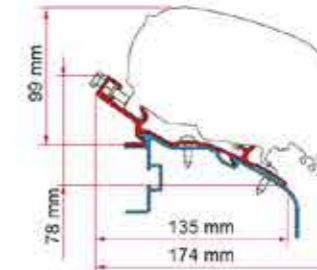


new 2022



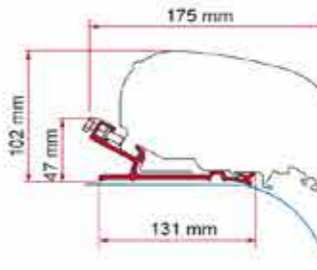
	Quantity / Length	Item No.
Kit Laika Kreos 21	4 x 15 cm	986552119

### ADAPTER ELDDIS



	Quantity / Length	Item No.
Adapter Elldis	1 x 370 cm	98655-629
	1 x 400 cm	98655-630

### KIT AUTOCRUISE



	Quantity / Length	Item No.
Kit Autocruise	3 x 15 cm	98655-420

### KIT ARCA MOBILVETTA K-YACHT



	Quantity / Length	Item No.
Kit Arca Mobilvetta K-Yacht	3 x 15 cm	986552079

FIAMMASTORE

ADAPTERS - ROOF INSTALLATION

● black finish brackets

\* for right hand drive

\*\* for left and right hand drive

### ADAPTER CARTHAGO CHIC RAPIDO I80 - I90



≤ 2014



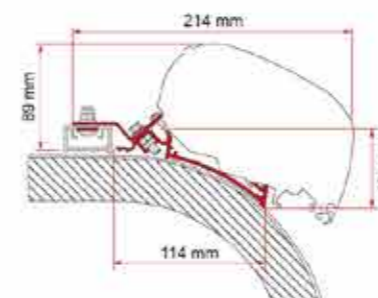
Quantity / Length	Item No.
1 x 400 cm	98655-736
1 x 450 cm	98655-737
1 x 490 cm	98655-738
1 x 550 cm	98655Z130

### ADAPTER LMC - TEC



Quantity / Length	Item No.
1 x 290 cm	98655-773
1 x 340 cm	98655-774
1 x 370 cm	98655-775
1 x 400 cm	98655-776
1 x 450 cm	98655Z126
1 x 500 cm	98655Z127
1 x 550 cm	98655Z128
1 x 600 cm	98655Z129

### ADAPTER RAPIDO DISTINCTION



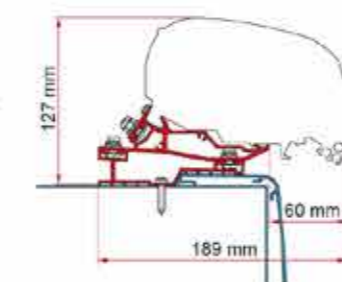
Quantity / Length	Item No.
1 x 400 cm	98655Z080
1 x 450 cm	98655Z081
1 x 490 cm	98655Z082
1 x 550 cm	98655Z124
1 x 600 cm	98655Z125

### ADAPTER RAPIDO C LINE



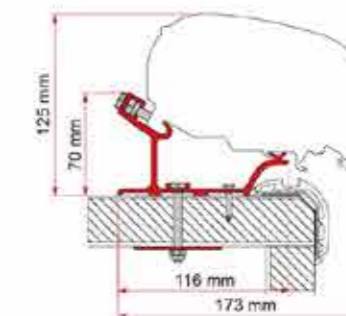
Rapido C86, C56, C55, C50

new 2022



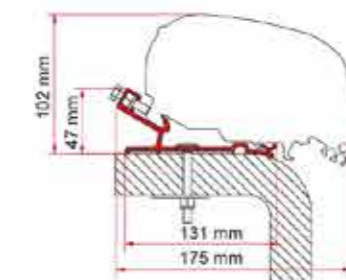
Quantity / Length	Item No.
340 cm	98655Z120
400 cm	98655Z121
425 cm	98655Z122
450 cm	98655Z123

### ADAPTER CARTHAGO MALIBU



Quantity / Length	Item No.
1 x 340 cm	98655Z083
1 x 400 cm	98655Z084
1 x 450 cm	98655Z085
1 x 490 cm	98655Z086

### ADAPTER HYMER



Quantity / Length	Item No.
1 x 290 cm	98655-932
1 x 320 cm	98655-933
1 x 340 cm	98655-934
1 x 370 cm	98655-935
1 x 400 cm	98655-936
1 x 450 cm	98655-937
1 x 490 cm	98655-938
1 x 550 cm	98655Z132
1 x 600 cm	98655Z133

FIAMMASTORE

CARRY-BIKE

COMFORT

INFO

FIAMMASTORE

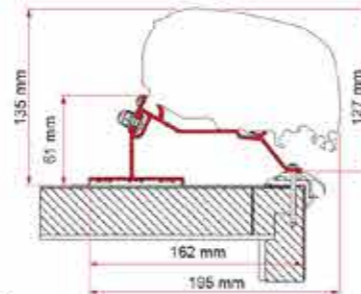
ADAPTERS - ROOF INSTALLATION

● black finish brackets \* for right hand drive \*\* for left and right hand drive

**KIT / ADAPTER CARAVAN ROOF**



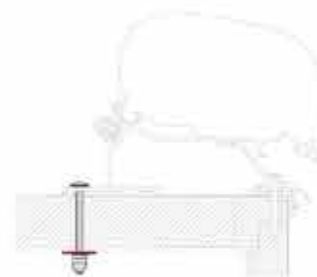
Dethleffs  
Fendt  
LMC  
Trigano



Kit and adapters equipped with aluminum finishing kit as standard

	Quantity / Length	Item No.
	1 x 290 cm	986552067
	1 x 320 cm	986552068
	1 x 340 cm	986552069
	1 x 370 cm	986552070
Adapter Caravan Roof	1 x 400 cm	986552071
	1 x 425 cm	986552072
	1 x 450 cm	986552073
	1 x 500 cm	986552074
	1 x 550 cm	986552075
	1 x 600 cm	986552076
	Quantity / Length	Item No.
Kit Caravan Roof	3 x 100 cm	986552066

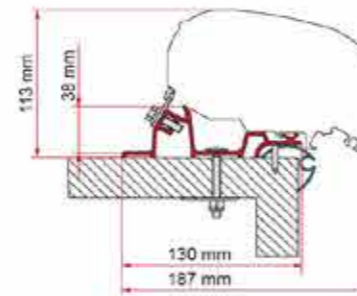
**KIT LMC ADAPTER CARAVAN ROOF**



Kit consisting of 4 plates, screws & nuts enabling the installation of the F80s awning to LMC caravans using the Kit or Adapter Caravan Roof

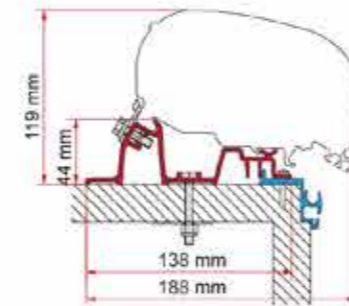
	Quantity	Item No.
Kit LMC Adapter Caravan Roof	4 plates, screws & nuts	986552100

**KIT CARAVAN STANDARD**



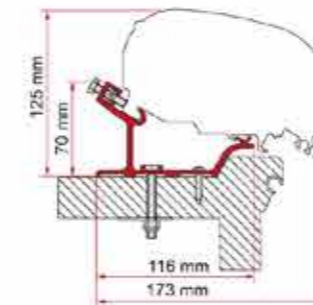
	Quantity / Length	Item No.
Kit Caravan Standard	2 x 50 cm - 2 x 30 cm	98655-657

**KIT HOBBY EXCELLENT**



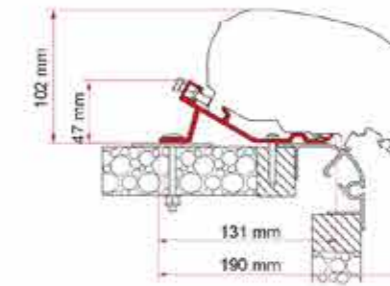
	Quantity / Length	Item No.
Kit Hobby Excellent	2 x 50 cm - 2 x 30 cm	98655-662

**KIT HOBBY EASY / ONTOUR / ADRIA ADORA**



	Quantity / Length	Item No.
Kit Hobby Easy / OnTour / Adria Adora	2 x 50 cm - 2 x 30 cm	98655-949

**KIT BAILEY**

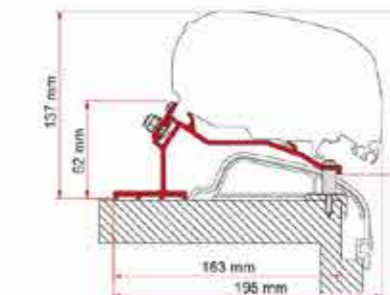


	Quantity / Length	Item No.
Kit Bailey	3 x 25 cm	98655-939

**KIT HOBBY PREMIUM & ONTOUR**

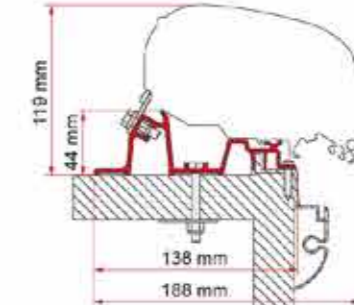


≥ 2012



	Quantity / Length	Item No.
Kit Hobby Premium & OnTour	2 x 25 cm - 2 x 50 cm	986552089

**KIT HOBBY PREMIUM**



	Quantity / Length	Item No.
Kit Hobby Premium	2 x 50 cm - 2 x 30 cm	98655-628

- [Awnings](#)
- [Panels and Enclosures](#)
- [Bike Carriers](#)
- [Motorhome](#)
- [Caravan](#)
- [Campervan](#)
- [Van Conversion](#)
- [SUV](#)
- [Garage](#)
- [Accessories](#)
- [Rear Boxes](#)
- [Comfort](#)
- [Rooflights](#)
- [Lighting](#)
- [Water](#)
- [Level Systems](#)
- [Organisation](#)
- [Safety](#)
- [Ladders](#)
- [Hygiene](#)
- [Vehicle Covers](#)
- [Miscellaneous](#)



FIAMMASTORE

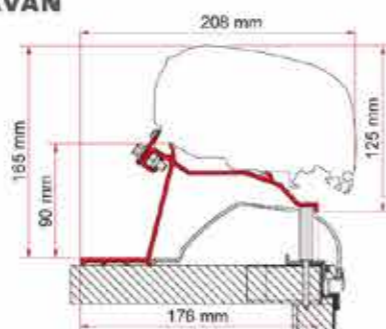
ADAPTERS - ROOF INSTALLATION

● black finish brackets \* for right hand drive \*\* for left and right hand drive

### KIT HOBBY CARAVAN



≥ 2014



Quantity / Length

Item No.

Kit Hobby Caravan

2 x 27 cm -  
2 x 60 cm

986552065

### ADAPTER FORD TRANSIT H3



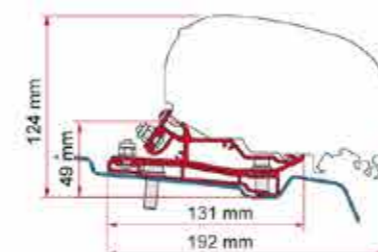
≥ 2014  
H3 - L4

MK8

WITHOUT



DRILLING



Quantity / Length

Item No.

Adapter Ford Transit H3

1 x 400 cm

986552108

### \*\* KIT FIAT DUCATO / CITROËN JUMPER / PEUGEOT BOXER - H2



≥ 2006  
H2 - L2 / L3  
For F80s and F65s

WITHOUT



DRILLING



Quantity / Length

Item No.

Kit Ducato / Citroën  
Jumper / Peugeot Boxer

1 x 20 cm -  
1 x 15 cm -  
1 x 12 cm

986552101  
● 986552102

### KIT CARAVAN HOBBY



≥ 2009



Quantity / Length

Item No.

Kit Caravan Hobby

2 x 50 cm -  
2 x 30 cm

98655-921

### \*\* KIT FIAT DUCATO / CITROËN JUMPER / PEUGEOT BOXER



≥ 2006  
H2 - L2 / L3  
Low profile  
bracket only for  
F80s

WITHOUT



DRILLING



Quantity / Length

Item No.

Kit Ducato / Citroën  
Jumper / Peugeot Boxer  
Low Profile

1 x 20 cm -  
1 x 15 cm -  
1 x 12 cm

986552103  
● 986552104

### \*\* KIT FIAT DUCATO / CITROËN JUMPER / PEUGEOT BOXER - H2



≥ 2006  
H2 - L4  
For F80s and F65s

WITHOUT



DRILLING



Quantity / Length

Item No.

Kit Ducato /  
Jumper / Boxer - H2

2 x 26 cm -  
1 x 12 cm

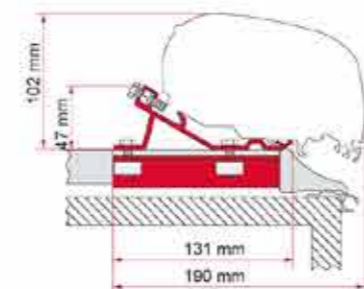
98655-904

Brackets  
standard  
equipped with  
400 cms of  
rubber seal

### KIT FIXING BAR



Only for use with  
Fixing Bar Pro L  
(98655-295)



Quantity / Length

Item No.

Kit Fixing Bar

3 x 20 cm

98655-384

### \*\* KIT FIAT DUCATO / CITROËN JUMPER / PEUGEOT BOXER - H2

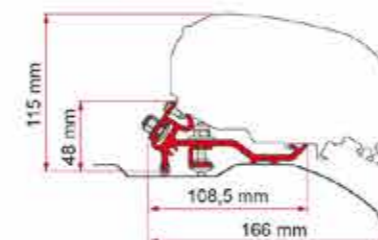


≥ 2006  
H2 - L4  
Low profile  
bracket only for  
F80s

WITHOUT



DRILLING



Quantity / Length

Item No.

Kit Ducato / Citroën  
Jumper / Peugeot Boxer  
- H2

2 x 26 cm -  
1 x 12 cm

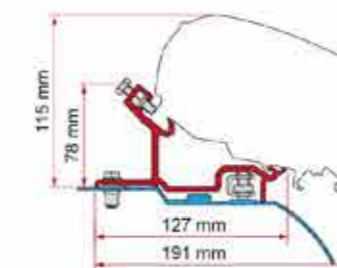
986552093

Brackets  
standard  
equipped with  
400 cms of  
rubber seal

### KIT FIAT DUCATO / CITROËN JUMPER / PEUGEOT BOXER - H3



≥ 2006  
H3 - L3/L4



Quantity / Length

Item No.

Kit Ducato / Jumper /  
Boxer - H3

1 x 20 cm -  
1 x 25 cm -  
1 x 35 cm

\*\* 98655-656

FIAMMASTORE

CARRY-BIKE

COMFORT

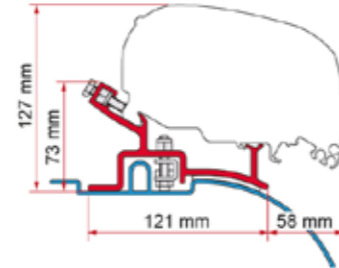
INFO

- [Awnings](#)
- [Panels and Enclosures](#)
- [Bike Carriers](#)
- [Motorhome](#)
- [Caravan](#)
- [Campervan](#)
- [Van Conversion](#)
- [SUV](#)
- [Garage](#)
- [Accessories](#)
- [Rear Boxes](#)
- [Comfort](#)
- [Rooflights](#)
- [Lighting](#)
- [Water](#)
- [Level Systems](#)
- [Organisation](#)
- [Safety](#)
- [Ladders](#)
- [Hygiene](#)
- [Vehicle Covers](#)
- [Miscellaneous](#)

**KIT FIAT DUCATO / CITROËN JUMPER / PEUGEOT BOXER H2 - ≤ 06**



≥ 1994 ≤ 2006  
H2 - L2 / L3  
High profile bracket



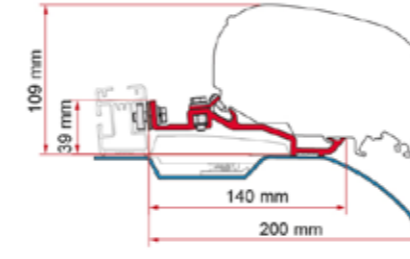
Quantity / Length Item No.

Kit Ducato / Jumper / Boxer - H2 - ≤ 2006 2 x 20 cm 98655-373

**\*\* KIT SMART CLAMP DUCATO**



≥ 2006  
H2 - L2/L3/L4  
F80s



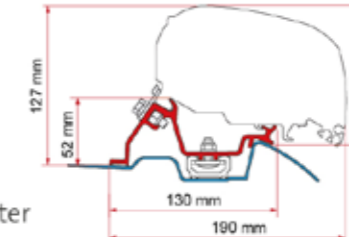
Quantity / Length Item No.

Kit Smart Clamp Ducato 2 x 20 cm - 2 x 12 cm 98655z097

**KIT MERCEDES SPRINTER - ROOF RAIL**



with Roof Rail  
≥ 2006 ≤ 2016  
H2 - L1/L2/L3  
Mercedes Sprinter/  
VW Crafter/  
Freightliner  
Sprinter/Dodge Sprinter



Quantity / Length Item No.

Kit Mercedes Sprinter with Roof Rail 2 x 40 cm - 1 x 12 cm 98655-772

≥ 2016  
H2 - L1/L2/L3/L4  
Mercedes Sprinter/  
Freightliner Sprinter/Dodge Sprinter

**KIT FIAT DUCATO / CITROËN JUMPER / PEUGEOT BOXER H2 - ≤ 06**



≥ 1994 ≤ 2006  
H2 - L2 / L3  
Low profile bracket



Quantity / Length Item No.

Kit Ducato / Jumper / Boxer - H2 - ≤ 2006 2 x 20 cm 98655-693

**KIT RENAULT MASTER H2**



≥ 1997 ≤ 2009  
H2 - L2 / L3

Also for  
Opel Movano  
≥ 1998 ≤ 2010  
Nissan Interstar  
≥ 1998 ≤ 2011



Quantity / Length Item No.

Kit Renault Master H2 2 x 29 cm - 1 x 12 cm 98655-468

**KIT MERCEDES SPRINTER / VW CRAFTER HIGH ROOF**



≥ 2006 ≤ 2016  
H2 - L1/L2/L3/L4  
Mercedes Sprinter/  
VW Crafter/  
Dodge Sprinter/  
Freightliner Sprinter



Quantity / Length Item No.

Kit Mercedes Sprinter / VW Crafter High Roof 1 x 12 cm - 1 x 53 cm - 1 x 60 cm \*98655-889

≥ 2016  
H2 - L1/L2/L3/L4  
Mercedes Sprinter/  
Dodge Sprinter/  
Freightliner Sprinter

**KIT IVECO DAILY H2**



≥ 2006 ≤ 2014  
H2 - L2/L3



Quantity / Length Item No.

Kit Iveco Daily H2 2 x 15 cm - 1 x 20 cm 98655-733

**\*\* KIT RENAULT MASTER H2 ≥ 2010**



≥ 2010  
H2 - L2 / L3

Also for  
Opel Movano  
and Nissan  
NV400



Quantity / Length Item No.

Kit Renault Master ≥ 2010 1 x 12 cm - 1 x 44 cm - 1 x 64 cm 98655-881

**KIT VW CRAFTER - ROOF RAIL**



≥ 2017  
H3 - L3/L4

Man Tge



Quantity / Length Item No.

Kit VW Crafter with Roof Rail 1 x 20 cm - 1 x 30 cm - 1 x 40 cm 98655z036

with Roof Rail

FIAMMASTORE

ADAPTERS - ROOF INSTALLATION

● black finish brackets \* for right hand drive \*\* for left and right hand drive

● KIT VW CRAFTER L3 H3



≥ 2017

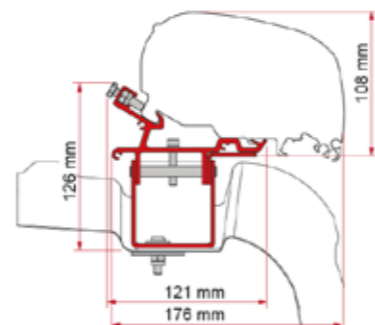
Man Tge

Without Roof Rail

WITHOUT



DRILLING



For VW Crafter L3/ H3 pls choose the F80s 320cm long

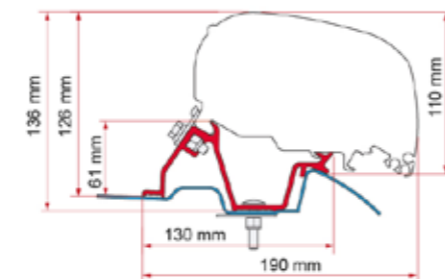
	Quantity / Length	Item No.
Kit VW Crafter L3 H3	1 x 20 cm - 1 x 32 cm	98655z043 * 98655z058

ADAPTER SPRINTER F65EAGLE



Sprinter ≥ 2006

VW Crafter ≥ 2006 ≤ 2016



	Quantity / Length	Item No.
Adapter Sprinter F65eagle	1 x 400 cm	98655-768 * 98655z010

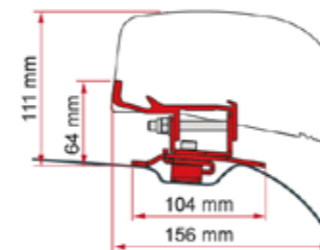
# F40van

● ADAPTER PSA



H1  
L = 4956/9 mm

Opel Vivaro C  
Opel Zafira Life  
Vauxhall Vivaro Life ≥ 2019



Citroën Jumpy III gen. / Spacetourer  
Peugeot Traveller  
Peugeot Expert III gen.  
Toyota ProAce II / Toyota ProAce Verso ≥ 2016

	Quantity / Length	Item No.
Adapter PSA	1 x 260 cm	98655z110

● KIT VW T5 / T6



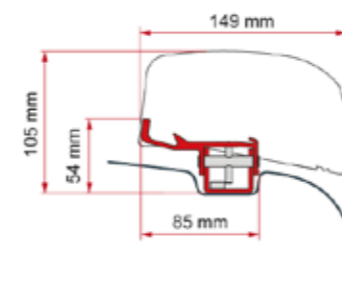
≥ 2003  
H1 - L1/L2

WITHOUT



DRILLING

VW T5/T6  
Transporter / Caravelle / Multivan



	Quantity / Length	Item No.
Kit VW T5 / T6	1 x 20 cm - 1 x 25 cm	98655z030 * 98655z038

● KIT RENAULT TRAFIC L1

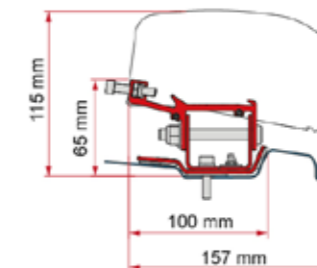


≥ 2014  
H1 - L1

WITHOUT



DRILLING



Nissan NV 300 / Fiat Talento ≥ 2014  
Opel Vivaro-Vauxhall Vivaro B ≥ 2014 ≤ 2018

	Quantity / Length	Item No.
Kit Renault Trafic L1	2 x 26 cm	** 98655z087

● KIT RENAULT TRAFIC L2

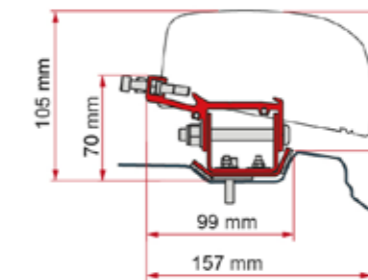


≥ 2014  
H1 - L2

WITHOUT



DRILLING



Nissan NV 300 / Fiat Talento ≥ 2014  
Opel Vivaro-Vauxhall Vivaro B ≥ 2014 ≤ 2018

	Quantity / Length	Item No.
Kit Renault Trafic L2	2 x 26 cm - 1 x 76 cm	** 98655z088

● KIT NISSAN NV350

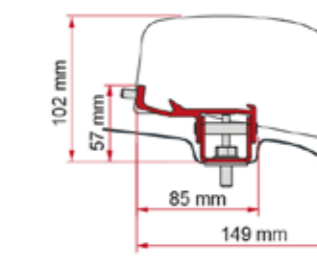


≥ 2012  
H1 - L2

WITHOUT



DRILLING



Nissan Impendulo / Isuzu Como / Mitsubishi Fuso Canter Van ≥ 2012

	Quantity / Length	Item No.
Kit Nissan NV350	1 x 20 cm - 1 x 25 cm	* 98655z041

FIAMMASTORE

CARRY-BIKE

COMFORT

INFO

- [Awnings](#)
- [Panels and Enclosures](#)
- [Bike Carriers](#)
- [Motorhome](#)
- [Caravan](#)
- [Campervan](#)
- [Van Conversion](#)
- [SUV](#)
- [Garage](#)
- [Accessories](#)
- [Rear Boxes](#)
- [Comfort](#)
- [Rooflights](#)
- [Lighting](#)
- [Water](#)
- [Level Systems](#)
- [Organisation](#)
- [Safety](#)
- [Ladders](#)
- [Hygiene](#)
- [Vehicle Covers](#)
- [Miscellaneous](#)

FIAMMASTORE

ADAPTERS - ROOF INSTALLATION

● black finish brackets \* for right hand drive \*\* for left and right hand drive

● **KIT MERCEDES V CLASS**



≥ 2014  
H1 - L2



	Quantity / Length	Item No.
Kit Mercedes VClass	1 x 39 cm - 1 x 22 cm	986552078

● **KIT FORD CUSTOM L1**

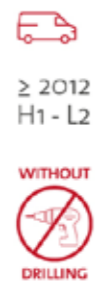


≥ 2012  
H1 - L1



	Quantity / Length	Item No.
Kit Ford Custom L1	1 x 45,5 cm - 1 x 20 cm	986552044 * 986552046

● **KIT FORD CUSTOM L2**



≥ 2012  
H1 - L2



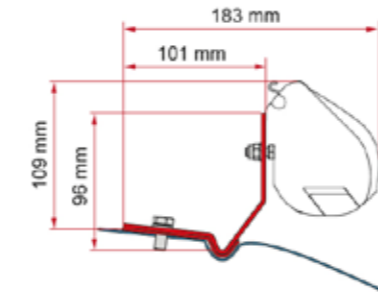
	Quantity / Length	Item No.
Kit Ford Custom L2	1 x 22,5 cm - 1 x 20 cm	** 986552045

# F35pro

● **KIT VW CADDY MAXI**



≥ 2016  
H1 - L1

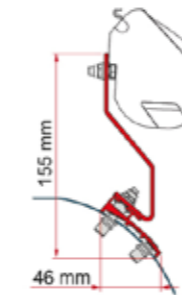


	Quantity / Length	Item No.
Kit VW Caddy Maxi	** 2 x 8 cm	986552096

● **KIT VW CADDY MAXI LIFT ROOF**



≥ 2016  
H1 - L1



	Quantity / Length	Item No.
Kit VW Caddy Maxi Lift Roof	** 2 x 12 cm	986552109

● **KIT VW T6 KEPLER**

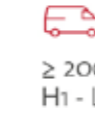


≥ 2014  
H1 - L2



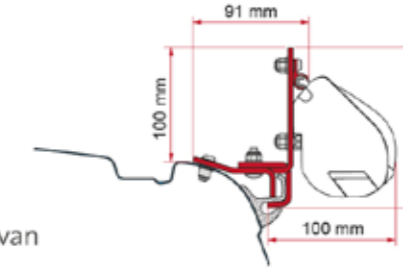
	Quantity / Length	Item No.
Kit VW T6 Kepler	2 x 10 cm	986552033

**KIT BRANDRUP VW T5/T6**



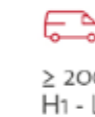
≥ 2003  
H1 - L1

VW T5/T6  
Transporter /  
Caravelle / Multivan



	Quantity / Length	Item No.
Kit Brandrup VW T5/T6	2 x 8 cm	98655-658

**KIT VW T5/T6 MULTIVAN TRANSPORTER**



≥ 2003  
H1 - L1



Without  
"C" roof rail

VW T5/T6  
Transporter /  
Caravelle / Multivan

	Quantity / Length	Item No.
Kit VW T5/T6 Multivan Transporter	2 x 21,5 cm	986552004 * 986552005

**KIT VW T5/T6 MULTIVAN TRANSPORTER**



≥ 2003  
H1 - L1/L2



Installation on  
rail.  
For the  
Transporter  
version  
the rail is optional:  
contact  
the VW dealer to  
obtain the rail.

	Quantity / Length	Item No.
Kit VW T5/T6 Multivan/Transporter	2 x 12 cm	98655-747

- [Awnings](#)
- [Panels and Enclosures](#)
- [Bike Carriers](#)
- [Motorhome](#)
- [Caravan](#)
- [Campervan](#)
- [Van Conversion](#)
- [SUV](#)
- [Garage](#)
- [Accessories](#)
- [Rear Boxes](#)
- [Comfort](#)
- [Rooflights](#)
- [Lighting](#)
- [Water](#)
- [Level Systems](#)
- [Organisation](#)
- [Safety](#)
- [Ladders](#)
- [Hygiene](#)
- [Vehicle Covers](#)
- [Miscellaneous](#)



FIAMMASTORE

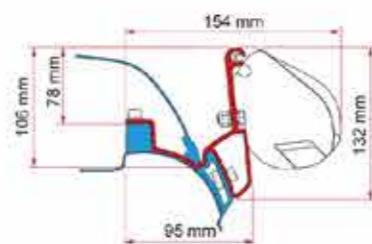
ADAPTERS - ROOF INSTALLATION

● black finish brackets \* for right hand drive \*\* for left and right hand drive

### KIT VW T5/T6 CALIFORNIA

≥ 2003  
H1 - L1

WITHOUT  
DRILLING



Quantity / Length Item No.

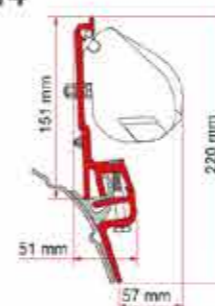
Kit VW T5/T6 California 2 x 12 cm 98655-748

### KIT BRANDRUP VW T4

≥ 1990 ≤ 2003  
H1 - L1/L2

Reimo Multirail

WITHOUT  
DRILLING



Quantity / Length Item No.

Kit Brandrup VW T4 2 x 8 cm 986552011

### ● KIT VW T4 / VW T4 LIFT ROOF

≥ 1990 ≤ 2003  
H1 - L1/L2

Also for models with lift roof



Quantity / Length Item No.

Kit VW T4 Lift Roof 2 x 8 cm 98655-111

### KIT MULTIRAIL REIMO VW T5/T6

≥ 2003  
H1 - L1



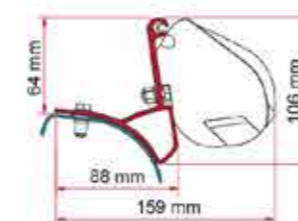
VW T5/T6  
Transporter /  
Caravelle / Multivan

Quantity / Length Item No.

Kit Multirail Reimo VW T5/T6 2 x 8 cm 98655-948

### KIT RENAULT TRAFIC / OPEL VIVARO / FIAT TALENTO / NISSAN PRIMASTAR

≥ 2001 ≤ 2014  
H1 - L1/L2

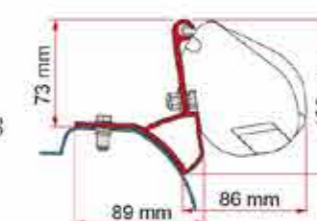


Quantity / Length Item No.

Kit Renault Traffic / Opel Vivaro / Fiat Talento / Nissan Primastar 2 x 12 cm 98655-893

### KIT RENAULT TRAFIC / OPEL VIVARO / FIAT TALENTO / NV300 / RAPIDO MIRANDE S

≥ 2014 ≤ 2018  
H1 - L1/L2  
Opel / Vauxhall Vivaro B



≥ 2015  
H1 - L1  
Renault Traffic  
Dreamer  
Mirande S/  
Campereve  
Mirande S

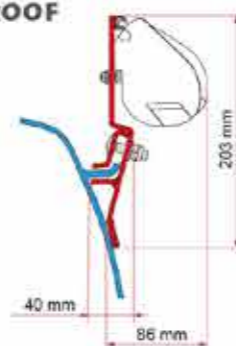
Quantity / Length Item No.

Kit Renault Traffic / Opel Vivaro / Fiat Talento / NV300 / Rapido Mirande S 2 x 12 cm 986552020

### KIT VW T3 / T3 LIFT ROOF

≥ 1979 ≤ 1990  
H1

WITHOUT  
DRILLING



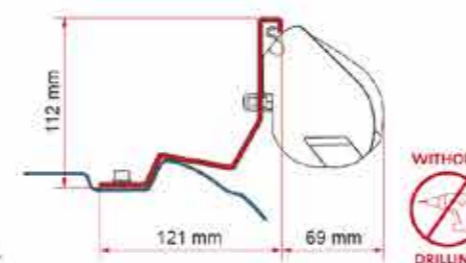
Also for models with lift roof

Quantity / Length Item No.

Kit VW T3/T3 Lift Roof 2 x 8 cm 986552115

### ● KIT MERCEDES VIANO / MARCO POLO / VITO / V CLASS

H1 - L2  
Viano Vito II: ≥ 2003 ≤ 2013  
Viano Vito II Marco Polo:  
≥ 2003 ≤ 2013  
only with manual roof  
V Class Vito III - Long: ≥ 2014



WITHOUT  
DRILLING

Quantity / Length Item No.

Kit Mercedes Viano Marco Polo / Vito / V Class 2 x 13 cm 98655-887

### KIT CLASS V MARCO POLO

≥ 2014  
H1 - L2

Not suitable for Marco Polo with electric roof



Quantity / Length Item No.

Kit Class V Marco Polo 1 x 12 cm - 1 x 13 cm 986552022

FIAMMASTORE

CARRY-BIKE

COMFORT

INFO

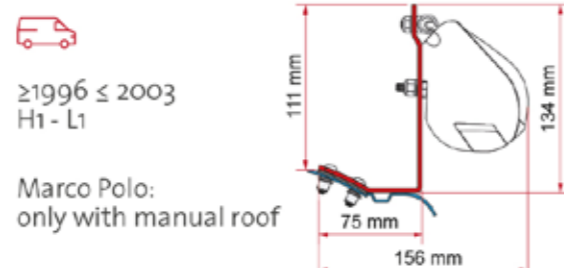


FIAMMASTORE

ADAPTERS - ROOF INSTALLATION

● black finish brackets \* for right hand drive \*\* for left and right hand drive

**● KIT MERCEDES VITO / VITO MARCO POLO**



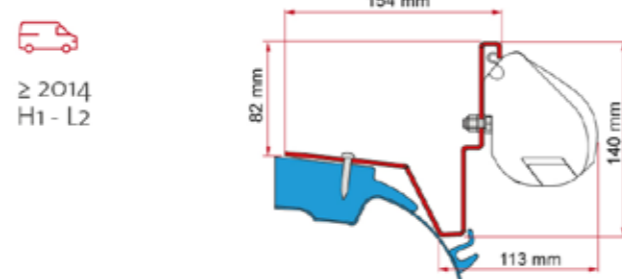
≥ 1996 ≤ 2003  
H1 - L1

Marco Polo:  
only with manual roof

Quantity / Length Item No.

Kit Mercedes Vito / Vito Marco Polo 2 x 8 cm 98655-682

**● KIT MERCEDES VITO JULES VERNE**

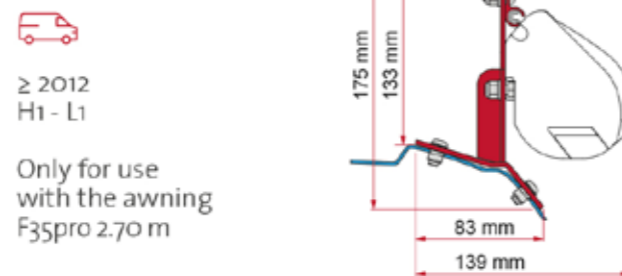


≥ 2014  
H1 - L2

Quantity / Length Item No.

Kit Mercedes Vito Jules Verne 2 x 12 cm 986552034

**● KIT FORD CUSTOM**



≥ 2012  
H1 - L1

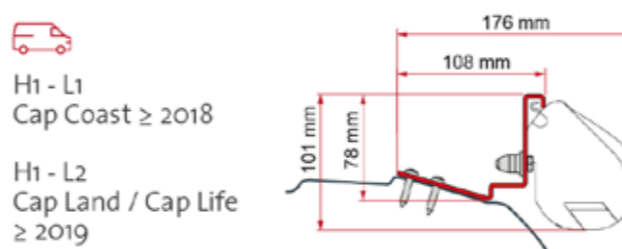
Only for use  
with the awning  
F35pro 2.70 m

Attention:  
opening/closing  
operations of the  
awning must be  
performed with the  
sliding door closed

Quantity / Length Item No.

Kit Ford Custom 2 x 11 cm \*\* 986552112

**● KIT FORD CUSTOM CAP COAST / CAPLAND / CAPLIFE**



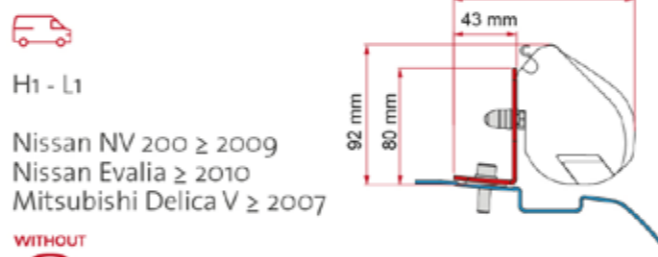
H1 - L1  
Cap Coast ≥ 2018

H1 - L2  
Cap Land / Cap Life  
≥ 2019

Quantity / Length Item No.

Kit Ford Custom Cap Coast / Cap Land / Cap Life 2 x 12 cm 986552027

**● KIT NISSAN NV200**



H1 - L1

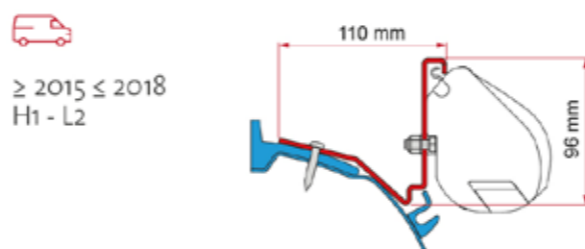
Nissan NV 200 ≥ 2009  
Nissan Evalia ≥ 2010  
Mitsubishi Delica V ≥ 2007



Quantity / Length Item No.

Kit Nissan NV200 3 x 8 cm 986552026

**● KIT FORD CUSTOM CAPLAND / CAPFUN**

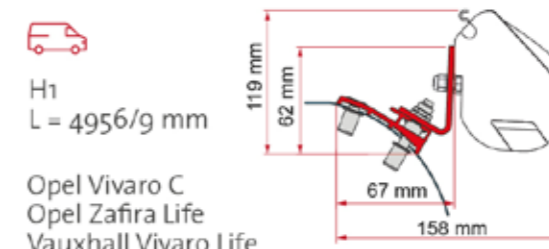


≥ 2015 ≤ 2018  
H1 - L2

Quantity / Length Item No.

Kit Ford Custom Cap Land / Cap Fun 2 x 12 cm 986552035

**● KIT PSA**



H1  
L = 4956/9 mm

Opel Vivaro C  
Opel Zafira Life  
Vauxhall Vivaro Life  
≥ 2019

Quantity / Length Item No.

Kit PSA 2 x 20 cm 986552095

Citroën Jumpy III gen.  
/ Spacetourer  
Peugeot Traveller  
Peugeot Expert III gen.  
Toyota ProAce II /  
Toyota ProAce Verso  
≥ 2016

Also for models with  
lift roof

**KIT AUTO**



Installation on  
Roof Rails

Quantity / Length Item No.

Kit Auto 2 x 8 cm 98655-310

**KIT ERIBA TOURING**



Quantity / Length Item No.

Kit Eriba Touring 2 x 8 cm 986552009

- [Awnings](#)
- [Panels and Enclosures](#)
- [Bike Carriers](#)
- [Motorhome](#)
- [Caravan](#)
- [Campervan](#)
- [Van Conversion](#)
- [SUV](#)
- [Garage](#)
- [Accessories](#)
- [Rear Boxes](#)
- [Comfort](#)
- [Rooflights](#)
- [Lighting](#)
- [Water](#)
- [Level Systems](#)
- [Organisation](#)
- [Safety](#)
- [Ladders](#)
- [Hygiene](#)
- [Vehicle Covers](#)
- [Miscellaneous](#)



FIAMMASTORE

ADAPTERS - ROOF / RAIL INSTALLATION

● black finish brackets

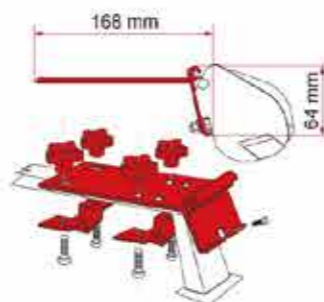
\* for right hand drive

\*\* for left and right hand drive

**KIT STANDARD**

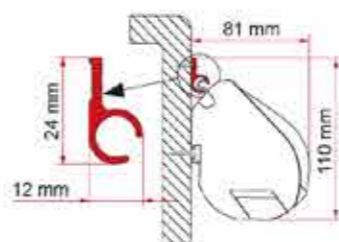


Installation on Roof Rails



	Quantity / Length	Item No.
Kit Standard	2 x 8 cm	98655-142

**RAIL**



	Quantity / Length	Item No.
Rail	1 x 300 cm	02361-01A
	1 x 400 cm	02361-01C

## CaravanStore

**KIT HOBBY CARAVANSTORE**



Supplementary kit to fix the CaravanStore on Hobby caravans, 2009 production, edition 6.



	Item No.
Kit Hobby CaravanStore	98655-034

## Compass

**KIT VW T5/T6 TRANSPORTER / MULTIVAN COMPASS**

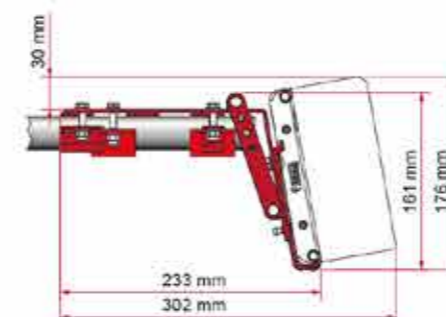


	Quantity / Length	Item No.
Kit VW T5/T6 Transporter / Multivan Compass	1 x 20 cm - 1 x 25 cm	986552018

**KIT ROOF RAIL**



Rail max width 5,5cm  
Min. 2 Kits to install an awning



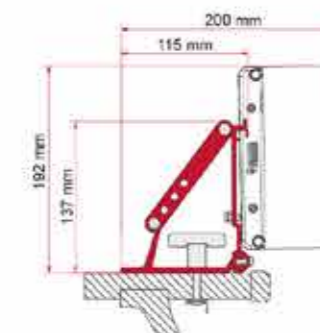
	Quantity / Length	Item No.
Kit Roof Rail	1 x 12 cm	98655-770

**KIT RENAULT TRAFIC**



	Quantity / Length	Item No.
Kit Renault Trafic ≥ 2001 ≤ 2015	2 x 16 cm	986552031
Kit Renault Trafic ≥ 2015		986552032

**KIT AUTO**



	Quantity / Length	Item No.
Kit Auto	2 x 8 cm	98655-310

FIAMMASTORE

CARRY-BIKE

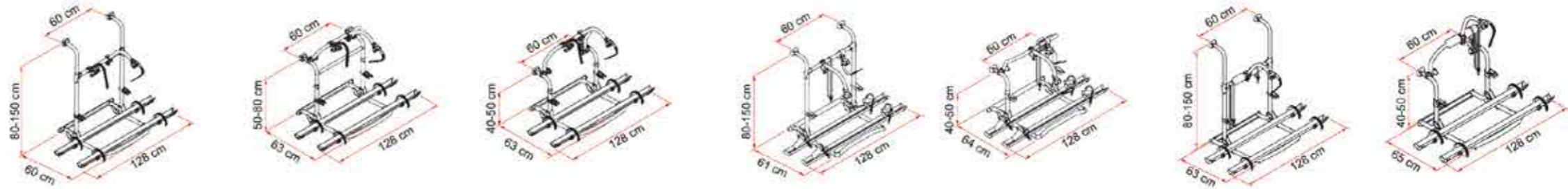
COMFORT

INFO

- [Awnings](#)
- [Panels and Enclosures](#)
- [Bike Carriers](#)
- [Motorhome](#)
- [Caravan](#)
- [Campervan](#)
- [Van Conversion](#)
- [SUV](#)
- [Garage](#)
- [Accessories](#)
- [Rear Boxes](#)
- [Comfort](#)
- [Rooflights](#)
- [Lighting](#)
- [Water](#)
- [Level Systems](#)
- [Organisation](#)
- [Safety](#)
- [Ladders](#)
- [Hygiene](#)
- [Vehicle Covers](#)
- [Miscellaneous](#)

CARRY-BIKE

## Carry-Bike

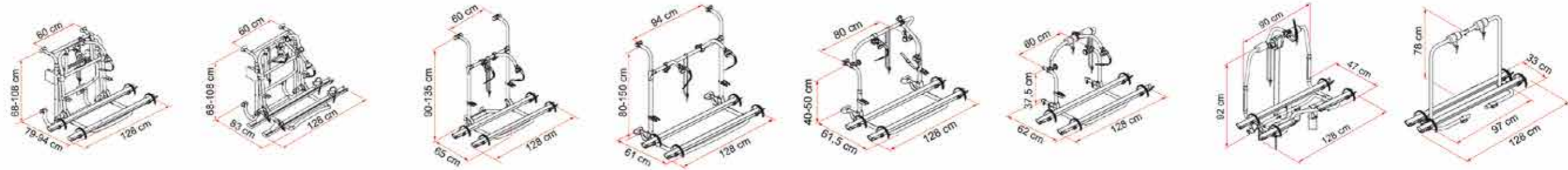


Description	Pro / Pro N	Pro M / Pro M N	Pro C / Pro C N	Pro E-Bike	Pro C E-Bike	UL	CL
Item No.	02094-09A / 02094-09V**	02094-11A / 02094-11V**	02094-10A / 02094-10V**	02094B12A	02094B13A	02093B86A	02093B87A
Colour	Aluminium	Aluminium	Aluminium	Aluminium	Aluminium	Aluminium	Aluminium
Installation							
Vehicle	Motorhome	Motorhome	Motorhome	Motorhome	Motorhome	Motorhome	Motorhome
Technical features							
Bikes carried standard	2	2	2	2	2	2	2
Bikes carried max	4	4	4	2	2	3	3
Max load	60 kg	60 kg	60 kg	60 kg	60 kg	50 kg	50 kg
E-Bike				●	●		
Position	Rear wall	Rear wall	Rear wall	Rear wall	Rear wall	Rear wall	Rear wall
Vertical wheelbase	80 - 150 cm	50 - 80 cm	40 - 50 cm	80 - 150 cm	40 - 50 cm	80 - 150 cm	40 - 50 cm
Horizontal wheelbase (distance between brackets)	60 cm	60 cm	60 cm	60 cm	60 cm	60 cm	60 cm
Dimensions*	128 x 60 x 80 cm	128 x 63 x 50 cm	128 x 63 x 40 cm	128 x 61 x 80 cm	128 x 64 x 40 cm	128 x 63 x 80 cm	128 x 65 x 40 cm
Weight	8,4 kg	8,5 kg	7,9 kg	10,4 kg	9,9 kg	5,6 kg	5,6 kg
Easy Position	●	●	●	●	●		
Rail type	Rail Quick Pro	Rail Quick Pro	Rail Quick Pro	Rail Premium	Rail Premium	Rail Quick Pro	Rail Quick Pro
Bike-Block	Pro 1 / Pro 3	Pro 1 / Pro 3	Pro 1 / Pro 3	Pro S 1 / Pro S 2	Pro S 1 / Pro S 2	Pro 3	Pro 3
Distance between rails	15 cm	15 cm	15 cm	23 cm	23 cm	15 cm	15 cm
A-frame: minimum size							
Licence Plate Carrier	-	-	-	-	-	-	-

- [Awnings](#)
- [Panels and Enclosures](#)
- [Bike Carriers](#)
- [Motorhome](#)
- [Caravan](#)
- [Campervan](#)
- [Van Conversion](#)
- [SUV](#)
- [Garage](#)
- [Accessories](#)
- [Rear Boxes](#)
- [Comfort](#)
- [Rooflights](#)
- [Lighting](#)
- [Water](#)
- [Level Systems](#)
- [Organisation](#)
- [Safety](#)
- [Ladders](#)
- [Hygiene](#)
- [Vehicle Covers](#)
- [Miscellaneous](#)



## CARRY-BIKE



Lift 77	Lift 77 E-Bike	Pro Hymer - Dethleffs	Pro Autotrail	Pro C L80	Trigano - CI Roller Team	Caravan Active	Caravan XL A
02093F43A	02093E43A	02093A64B	02093A98A	02093B59A	02093A57A	02094-05A	02094-23A
Aluminium	Aluminium	Aluminium	Aluminium	Aluminium	Aluminium	Aluminium	Aluminium
Motorhome	Motorhome	Motorhome	Motorhome	Motorhome	Motorhome	Caravan	Caravan
2	2	2	2	2	2	2 standard / 2 E-Bike	2
4	2	4	2	4	3	3 standard	2
60 kg	50 kg	60 kg	40 kg	60 kg	50 kg	50 kg	35 kg
	●					●	
Rear wall	Rear wall	Rear wall	Rear wall	Rear wall	Rear wall	A frame	A frame
68 - 108 cm	68 - 108 cm	90 - 135 cm	80 - 150 cm	40 - 50 cm	37,5 cm	-	-
60 cm	60 cm	60 cm	94 cm	80 cm	60 cm	-	-
128 x 79 x 68 cm	128 x 83 x 68 cm	128 x 65 x 90 cm	128 x 61 x 80 cm	128 x 61,5 x 40 cm	128 x 62 x 37,5 cm	128 x 47 x 92 cm	128 x 33 x 78 cm
16,3 kg	18,3 kg	8,2 kg	12 kg	7,9 kg	5,2 kg	7,5 kg	5,3 kg
●	●	●	●	●	●	●	●
Rail Quick Pro	Rail Premium	Rail Quick Pro	Rail Quick Pro	Rail Quick Pro	Rail Quick Pro	Rail Quick Pro	Rail Quick Pro
Pro 1 / Pro 3	Pro S1 / Pro S D1	Pro 1 / Pro 3	Pro 2 / Pro 3	Pro 1 / Pro 3	Pro 3	Pro S 3	-
15 cm	23 cm	15 cm	15 cm	15 cm	15 cm	15 cm	15 cm
						315 cm	402 cm
-	-	-	-	-	-	-	-

FIAMMASTORE

CARRY-BIKE

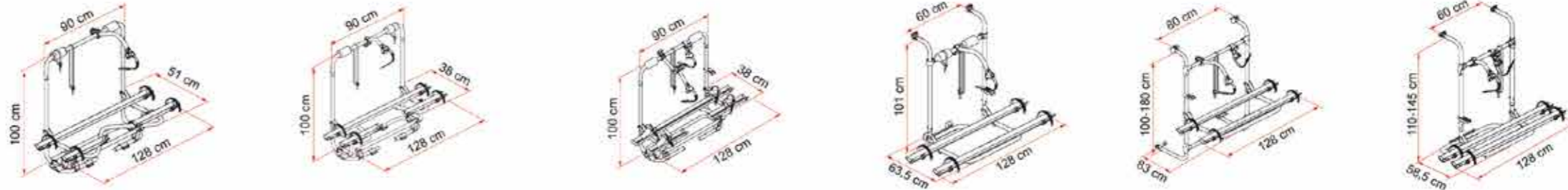
COMFORT

INFO

- [Awnings](#)
- [Panels and Enclosures](#)
- [Bike Carriers](#)
- [Motorhome](#)
- [Caravan](#)
- [Campervan](#)
- [Van Conversion](#)
- [SUV](#)
- [Garage](#)
- [Accessories](#)
- [Rear Boxes](#)
- [Comfort](#)
- [Rooflights](#)
- [Lighting](#)
- [Water](#)
- [Level Systems](#)
- [Organisation](#)
- [Safety](#)
- [Ladders](#)
- [Hygiene](#)
- [Vehicle Covers](#)
- [Miscellaneous](#)

CARRY-BIKE

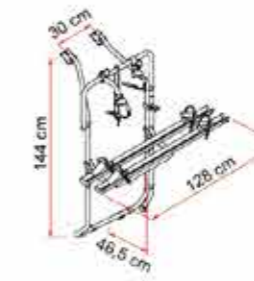
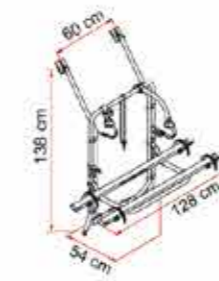
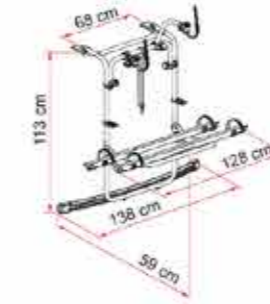
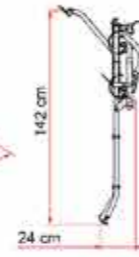
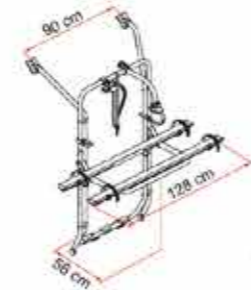
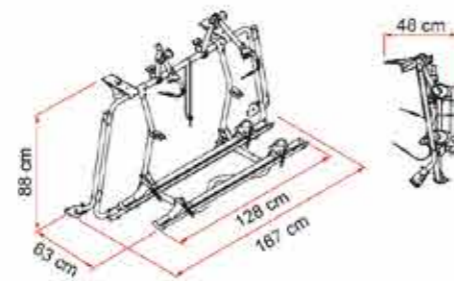
## Carry-Bike



Description	Caravan XLA Pro	Caravan XL A Pro 200	Caravan XL A Pro 200 E-Bike	Caravan Hobby	Caravan Universal	Simple Plus 200
Item No.	02093B91A / 02093C91A	02093F32A / 02093G32A	02093E32A	02093A77A	02093A76A	02093A36A
Colour	Aluminium / Deep Black	Aluminium / Deep Black	Aluminium	Aluminium	Aluminium	Aluminium
Installation						
Vehicle	Caravan	Caravan	Caravan	Caravan	Caravan	Caravan
Technical features						
Bikes carried standard	2	2	2	2	2	2
Bikes carried max	3	2	2	3	2	2
Max load	50 kg	50 kg	50 kg	50 kg	35 kg	35 kg
E-Bike			●			
Position	A frame	A frame	A frame	Rear wall	Rear wall	Rear wall
Vertical wheelbase	-	-	-	101 cm	100 - 180 cm	110 - 145 cm
Horizontal wheelbase (distance between brackets)	-	-	-	60 cm	80 cm	60 cm
Dimensions *	128 x 51 x 100 cm	128 x 38 x 100 cm	128 x 38 x 100 cm	128 x 63,5 x 101 cm	128 x 83 x 100 cm	128 x 58,5 x 110 cm
Weight	9,0 kg	7,5 kg	10,0 kg	5,6 kg	7,5 kg	6,4 kg
Easy Position				●	●	●
Rail type	Rail Quick Pro	Rail Quick Pro	Rail Premium	Rail Quick Pro	Rail Quick Pro	Rail Quick Pro
Bike-Block	Pro 3	Pro 2	Pro 1 / Pro D1	Pro 3	Pro 1 / Pro 3	Pro 1 / Pro 2
Distance between rails	15 cm	20 cm	20 cm	15 cm	30 cm	15 cm
A-frame: minimum size	342 cm	342 cm	342 cm			
Licence Plate Carrier	-	-	-	-	-	-

- [Awnings](#)
- [Panels and Enclosures](#)
- [Bike Carriers](#)
- [Motorhome](#)
- [Caravan](#)
- [Campervan](#)
- [Van Conversion](#)
- [SUV](#)
- [Garage](#)
- [Accessories](#)
- [Rear Boxes](#)
- [Comfort](#)
- [Rooflights](#)
- [Lighting](#)
- [Water](#)
- [Level Systems](#)
- [Organisation](#)
- [Safety](#)
- [Ladders](#)
- [Hygiene](#)
- [Vehicle Covers](#)
- [Miscellaneous](#)

## CARRY-BIKE



VW T5 Pro	VW T6 Pro	VW T5	VW T6
02093E71A	02094B08A / 02094A08A	02095-17A	02095-20A
Aluminium	Aluminium / Deep Black	Aluminium	Aluminium
Campervan	Campervan	Campervan	Campervan
2	2	2	2
4	4	4	4
60 kg	60 kg	60 kg	60 kg
tailgate	tailgate	tailgate	tailgate
88 cm	88 cm	142 cm	142 cm
167 cm	167 cm	90 cm	90 cm
167 x 63 x 88 cm	167 x 63 x 88 cm	128 x 56 x 142 cm	128 x 56 x 142 cm
14 kg	14 kg	8,3 kg	8,3 kg
●	●	●	●
Rail Premium	Rail Premium	Rail Quick Pro	Rail Quick Pro
Pro S D1 / Pro S D2	Pro S D1 / Pro S D2	Pro 1 / Pro 3	Pro 1 / Pro 3
15 cm	15 cm	15 cm	15 cm
●	●	●	●

VW Caddy	VW T4	VW T5 / T6 D	VW T4 D
02094-24A	02094-18A	02093B79A / 02093C79A	02094-22A
Aluminium	Aluminium	Aluminium / Deep Black	Aluminium
Campervan	Campervan	Campervan	Campervan
2	2	2	2
4	4	2	2
60 kg	60 kg	35 kg	35 kg
tailgate	tailgate	double door	double door
113 cm	138 cm	144 cm	138,5 cm
68 cm	60 cm	30 cm	35 cm
138 x 59 x 113 cm	128 x 54 x 138 cm	128 x 46,5 x 144 cm	128 x 42,5 x 138,5 cm
10,0 kg	8,3 kg	7,7 kg	7,7 kg
●	●	●	●
Rail Quick Pro	Rail Quick Pro	Rail Premium	Rail Premium
Pro 1 / Pro 3	Pro 1 / Pro 3	Pro S 1 / Pro S 2	Pro 1 / Pro 2
15 cm	15 cm	15 cm	15 cm
●	●	●	●

FIAMMASTORE

CARRY-BIKE

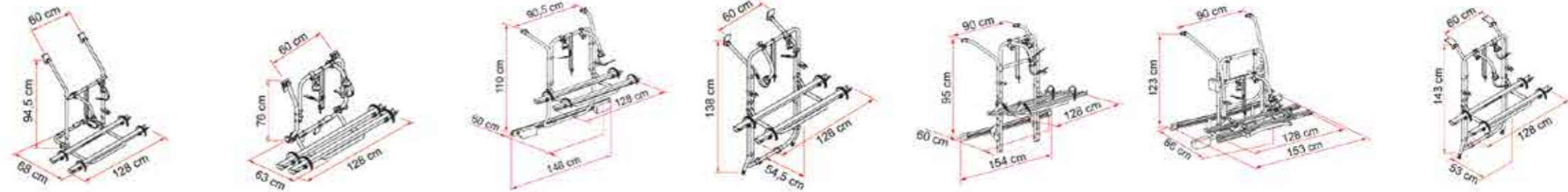
COMFORT

INFO

- [Awnings](#)
- [Panels and Enclosures](#)
- [Bike Carriers](#)
- [Motorhome](#)
- [Caravan](#)
- [Campervan](#)
- [Van Conversion](#)
- [SUV](#)
- [Garage](#)
- [Accessories](#)
- [Rear Boxes](#)
- [Comfort](#)
- [Rooflights](#)
- [Lighting](#)
- [Water](#)
- [Level Systems](#)
- [Organisation](#)
- [Safety](#)
- [Ladders](#)
- [Hygiene](#)
- [Vehicle Covers](#)
- [Miscellaneous](#)

CARRY-BIKE

## Carry-Bike

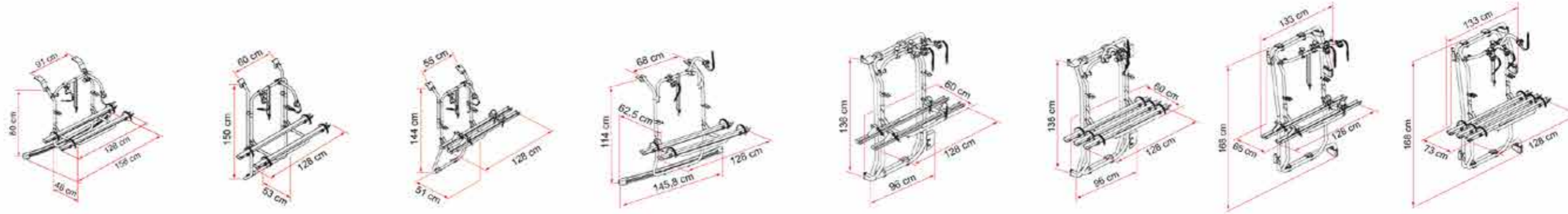


Description	VW T3 (T25)	VW T2	Mercedes Viano	Mercedes Vito	Mercedes V Class Premium	Mercedes V Class Premium Lift E-Bike	Opel Vivaro - Renault Trafic
Item No.	02094-19A	02093B63A	02093B75A	02093A05A	02094B14A	02095A15A	02093B72A
Colour	Aluminium	Aluminium	Aluminium	Aluminium	Aluminium	Aluminium	Aluminium
Installation							
Vehicle	Campervan	Campervan	Campervan	Campervan	Campervan	Campervan	Campervan
Technical features							
Bikes carried standard	2	2	2	2	2	2	2
Bikes carried max	3	2	3	4	4	2	4
Max load	50 kg	35 kg	50 kg	60 kg	60 kg	60 kg	60 kg
E-Bike						●	
Position	tailgate	tailgate	tailgate	tailgate	tailgate	tailgate	tailgate
Vertical wheelbase	94,5 cm	76 cm	110 cm	138 cm	95 cm	123 cm	143 cm
Horizontal wheelbase (distance between brackets)	60 cm	60 cm	90,5 cm	60 cm	90 cm	90 cm	60 cm
Dimensions *	128 x 68 x 94,5 cm	128 x 63 x 76 cm	148 x 60 x 110 cm	128 x 54,5 x 138 cm	154 x 60 x 95 cm	153 x 86 x 123 cm	128 x 53 x 143 cm
Weight	6,5 kg	7,0 kg	10,0 kg	8,7 kg	12,5 kg	20,5 kg	8,7 kg
Easy Position	●	●	●	●	●	●	●
Rail type	Rail Quick Pro	Rail Quick Pro	Rail Quick Pro	Rail Quick Pro	Rail Premium	Rail Premium	Rail Quick Pro
Bike-Block	Pro 1 / Pro 3	Pro 1 / Pro 2	Pro S 1 / Pro S 3	Pro 1 / Pro 3	Pro S 1 / Pro S 3	Pro S 1 / Pro S 3	Pro S 1 / Pro S 3
Distance between rails	15 cm	15 cm	15 cm	15 cm	15 cm	23 cm	15 cm
A-frame: minimum size							
Licence Plate Carrier	●		●	●	●	●	●

- [Awnings](#)
- [Panels and Enclosures](#)
- [Bike Carriers](#)
- [Motorhome](#)
- [Caravan](#)
- [Campervan](#)
- [Van Conversion](#)
- [SUV](#)
- [Garage](#)
- [Accessories](#)
- [Rear Boxes](#)
- [Comfort](#)
- [Rooflights](#)
- [Lighting](#)
- [Water](#)
- [Level Systems](#)
- [Organisation](#)
- [Safety](#)
- [Ladders](#)
- [Hygiene](#)
- [Vehicle Covers](#)
- [Miscellaneous](#)



## CARRY-BIKE



Ford Custom - Nugget Plus	Ford Transit	Renault Trafic D	PSA	Frame Ducato E-Bike	Frame Ducato 3 Bikes	Frame Crafter E-Bike	Frame Crafter 3 Bikes
02095B07A	02093A60A	02093B74A	02094-28A / 02094A28A	02094-36A / 02094A36A	02094-35A / 02094A35A	02094-38A / 02094A38A	02094-37A / 02094A37A
Aluminium	Aluminium	Aluminium	Aluminium / Deep Black	Aluminium / Deep Black	Aluminium / Deep Black	Aluminium / Deep Black	Aluminium / Deep Black
Campervan	Campervan	Campervan	Campervan	Van conversion	Van conversion	Van conversion	Van conversion
2	2	2	2	2	3	2	3
3	3	2	4	2	3	2	3
50 kg	50 kg	35 kg	60 kg	50 kg	50 kg	50 kg	50 kg
●	●	●	●	●	●	●	●
tailgate	tailgate	rear double door	tailgate	rear double door	rear double door	rear double door	rear double door
80 cm	150 cm	144 cm	114 cm	136 cm	136 cm	168 cm	168 cm
91 cm	60 cm	55 cm	68 cm	-	-	-	-
156 x 46 x 80 cm	128 x 53 x 150 cm	128 x 51 x 144 cm	145,8 x 62,5 x 114 cm	128 x 60 x 136 cm	128 x 60 x 136 cm	134 x 65 x 168 cm	133 x 73 x 168 cm
8,2 kg	7,1 kg	8,2 kg	14,0 kg	21 kg	21 kg	19,9 kg	19,9 kg
●	●	●	●	●	●	●	●
Rail Quick Pro	Rail Quick Pro	Rail Premium	Rail Quick Pro	Rail Premium	Rail Quick Pro	Rail Premium	Rail Quick Pro
Pro S1 / Pro S3	Pro 1 / Pro 3	Pro 1 / Pro 2	Pro S1 / Pro S3	Pro S D1 / Pro S D1	Pro S1 / Pro S2 / Pro S3	Pro S D1 / Pro S D1	Pro S1 / Pro S2 / Pro S3
15 cm	15 cm	15 cm	15 cm	23 cm	15 cm	23 cm	15 cm
●	●	●	●	●	●	●	●

FIAMMASTORE

CARRY-BIKE

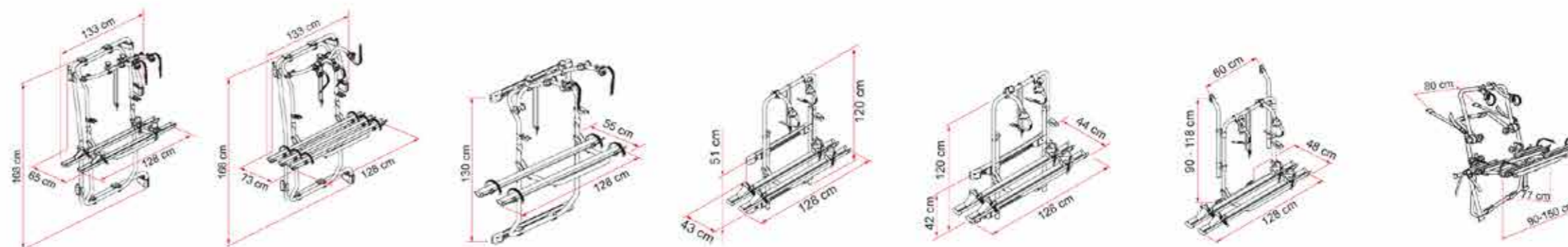
COMFORT

INFO

- [Awnings](#)
- [Panels and Enclosures](#)
- [Bike Carriers](#)
- [Motorhome](#)
- [Caravan](#)
- [Campervan](#)
- [Van Conversion](#)
- [SUV](#)
- [Garage](#)
- [Accessories](#)
- [Rear Boxes](#)
- [Comfort](#)
- [Rooflights](#)
- [Lighting](#)
- [Water](#)
- [Level Systems](#)
- [Organisation](#)
- [Safety](#)
- [Ladders](#)
- [Hygiene](#)
- [Vehicle Covers](#)
- [Miscellaneous](#)

CARRY-BIKE

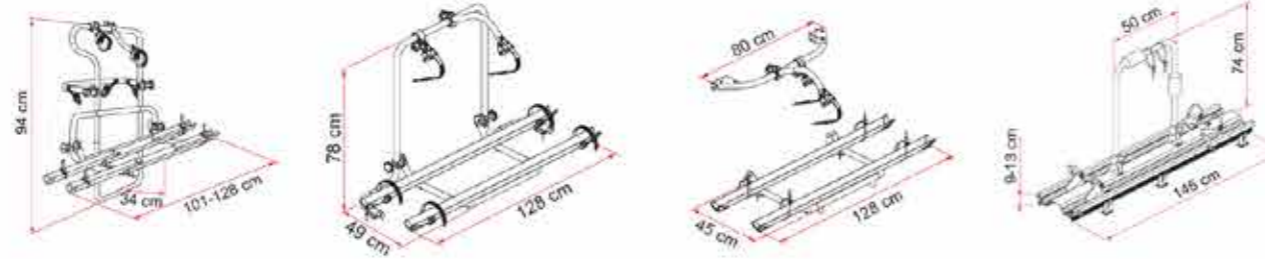
## Carry-Bike



Description	Frame Sprinter E-Bike	Frame Sprinter 3 Bikes	200 DJ Ducato > 2006	200 DJ Ducato < 2006	200 DJ Sprinter / Crafter	200 D	Backpack
Item No.	02094-40A / 02094A40A	02094-39A / 02094A39A	02094-26A / 02094A26A	02093A65A	02093B93A / 02093A93A	02093A15A	02093A38-
Colour	Aluminium / Deep Black	Aluminium / Deep Black	Aluminium / Deep Black	Aluminium	Aluminium / Deep Black	Aluminium	Aluminium
Installation							
Vehicle	Van conversion	Van conversion	Van conversion	Van conversion	Van conversion	Van conversion	4 x 4
Technical features							
Bikes carried standard	2	3	2	2	2	2	2
Bikes carried max	2	3	2	2	2	2	3
Max load	50 kg	50 kg	35 kg	35 kg	35 kg	35 kg	50 kg
E-Bike	●						
Position	rear double door	rear double door	rear double door	rear double door	rear double door	rear double door	tailgate
Vertical wheelbase	168 cm	168 cm	130 cm	120 cm	120 cm	90 - 118 cm	
Horizontal wheelbase (distance between brackets)	-	-	-	-	-	60 cm	80 cm
Dimensions *	134 x 65 x 168 cm	133 x 73 x 168 cm	128 x 55 x 130 cm	128 x 43 x 120 cm	128 x 44 x 120 cm	128 x 48 x 90 cm	90 x 77 cm
Weight	19,9 kg	19,9 kg	11,0 kg	9,0 kg	9,0 kg	6,9 kg	8,0 kg
Easy Position							●
Rail type	Rail Premium	Rail Quick Pro	Rail Quick Pro	Rail Premium	Rail Premium	Rail Premium	Rail Quick C
Bike-Block	Pro S D1 / Pro S D1	Pro S1 / Pro S2 / Pro S3	Pro S D1 (x2)	Pro 1 / Pro 2	Pro S1 / Pro S2	Pro 1 / Pro 2	Pro 1 / Pro 3
Distance between rails	23 cm	15 cm	23 cm	15 cm	15 cm	15 cm	15 cm
A-frame: minimum size							
Licence Plate Carrier	●	●	●	●	●	●	-

- [Awnings](#)
- [Panels and Enclosures](#)
- [Bike Carriers](#)
- [Motorhome](#)
- [Caravan](#)
- [Campervan](#)
- [Van Conversion](#)
- [SUV](#)
- [Garage](#)
- [Accessories](#)
- [Rear Boxes](#)
- [Comfort](#)
- [Rooflights](#)
- [Lighting](#)
- [Water](#)
- [Level Systems](#)
- [Organisation](#)
- [Safety](#)
- [Ladders](#)
- [Hygiene](#)
- [Vehicle Covers](#)
- [Miscellaneous](#)

## CARRY-BIKE



Backpack 4x4	Garage Plus	Garage Standard	Garage Slide Pro Bike	Garage Pack Plus	Garage Pack
02093A78A	02093A78A	02093A54A	04822-05-	98655A911	98655A910
Aluminium	Aluminium	Aluminium	Aluminium	Aluminium	Aluminium
Garage	Garage	Garage	Garage	Garage	Garage
2	2	2	2	2	2
4	4	3	2	3	3
60 kg	60 kg	50 kg	50 kg		
garage facility	garage facility	garage facility	garage facility	garage facility	garage facility
		80 cm			
128 x 49,5 x 78 cm	128 x 49,5 x 78 cm	128 x 45	145 x 34 x 74 cm (closed)		
5,6 kg	5,6 kg	4,8 kg	9,9 kg	10,5 kg	4,0 kg
●	●	●			
Rail Quick Pro	Rail Quick Pro	Rail Quick Pro		Rail Strip Pro	Rail Strip Pro
Pro 1 / Pro 3	Pro 1 / Pro 3	Pro 1 / Pro 3	-	Pro D1 / Pro D2	-

## Kit Upgrade

Description	Kit Upgrade VW T6	Kit Upgrade VW T6 Pro
Item No.	98656-988	98656Mo21
Weight	0,7 kg	0,7 kg

## Signal

Description	Alu Signal	Plastic Signal
Item No.	98782-010	98782-005
Material	Aluminium	Plastic
Weight	0,7 kg	0,2 kg
Dimensions	50x50 cm	50x50 cm

CARRY-BIKE

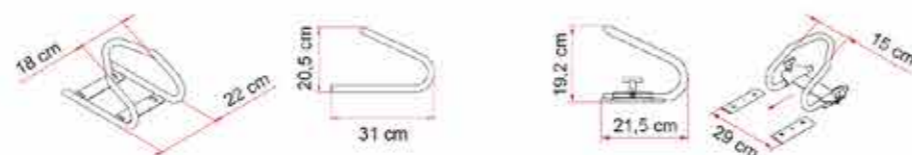
## Carry-Bike Moto



Description	[1] Carry-Moto	[2] Carry-Moto Pro	[3] Carry-Ramp
Item No.	02095-01-	02095-03-	02095-04-
Vehicle	Motorhome / Van conversion	Motorhome / Van conversion	Motorhome / Van conversion
Weight	12,2 kg	15,4 kg	7 kg
Max load	200 kg	200 kg	130 kg
Telescopic		●	●
Ramp angle	variable	variable	fixed 25°
Wheel chock front	●	●	⊙
Wheel chock rear			⊙
Fastening straps	●	●	
Wheel width max	14 cm	16 cm	15 cm

● Standard ⊙ Optional

For product features see p.104



Description	Moto Wheel Chock Front	Moto Wheel Chock Rear
Item No.	05781-01-	05800-01-
Vehicle	Motorhome / Van conversion	Motorhome / Van conversion
Weight	2,4 kg	2,8 kg
Wheel width max.	18 cm	15 cm

## Locking System

Description	Quick-Safe	Strip Red	Strip Black	Security Strip	Cable-Lock
Item No.	98656-386	98656-320	98656-318	98656-419	98656-338
Weight	0,1 kg	0,1 kg	0,1 kg	0,1 kg	0,1 kg

For product features see p.110

## Dust Guard

Description	Dust Guard
Item No.	07752-01-
Colour	Black
Weight	0,3 kg
Length	240 cm

Suitable for	Suitable for
Fixing Bar Carry-Bike	Carry-Bike PSA
Carry-Bike 200 DJ Ducato > 2006	Carry-Bike M. V Class Premium
Carry-Bike 200 DJ Ducato < 2006	Carry-Bike M. V Class Lift E-Bike
Carry-Bike 200 DJ Sprinter	Deluxe DJ Ducato
Carry-Bike Mercedes Viano	Deluxe DJ Ducato H3
Carry-Bike Ford Custom	Deluxe DJ Sprinter

For product features see p.111

## Bike Cover

Description	Bike Cover S 2/3 bikes)*	Bike Cover S (4 bikes)*	Bike Cover Premium S*	Bike Cover Caravan
Item No.	08208-01-	08208A01-	08208B01-	08208C01-
Bikes covered	2/3	4	4	2
Vehicle type	Motorhome	Motorhome	Motorhome	Caravan
Closing system	Elastic band with hooks	Elastic band with hooks	Zippers	Elastic band with lock
Weight	0,9 kg	1,0 kg	0,9 kg	0,8 kg

## Bike-Block Pro S

[1] Bike-Block Pro S 1

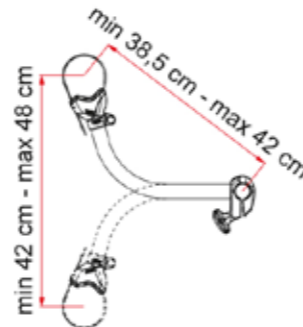
min 12,5 cm - max 17 cm



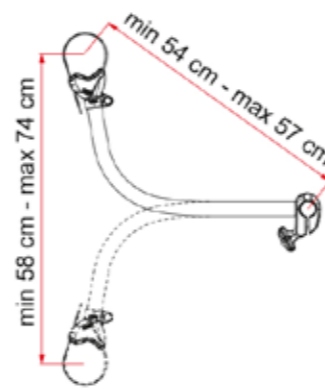
[2] Bike-Block Pro S 2



[3] Bike-Block Pro S 3



[4] Bike-Block Pro S 4



[5] Bike-Block Pro S D1

min 10 cm - max 44,5 cm



[6] Bike-Block Pro S D2

min 16 cm - max 63 cm



[7] Bike-Block Pro S D3

min 26 cm - max 79 cm



Description	Colour	Weight	Item No.
[1] Bike-Block Pro S 1	anodised	0,2 kg	07215-01A
[2] Bike-Block Pro S 2	anodised	0,3 kg	07215A01A
[3] Bike-Block Pro S 3	anodised	0,4 kg	07215B01A
[4] Bike-Block Pro S 4	anodised	0,5 kg	07215C01A
[5] Bike-Block Pro S D1	anodised	0,6 kg	07215D01A
	Deep Black		07215G01A
[6] Bike-Block Pro S D2	anodised	0,7 kg	07215E01A
	Deep Black		07215H01A
[7] Bike-Block Pro S D3	anodised	0,8 kg	07215F01A
	Deep Black		07215I01A

## Bike-Block Pro

[1] Bike-Block Pro 1

min 12,5 cm - max 17 cm



[2] Bike-Block Pro 2

min 24 cm - max 28 cm



[3] Bike-Block Pro 3

min 38,5 cm - max 42 cm



[4] Bike-Block Pro 4

min 54 cm - max 57 cm



[5] Bike-Block Pro D1

min 10 cm - max 44,5 cm



[6] Bike-Block Pro D2

min 16 cm - max 63 cm

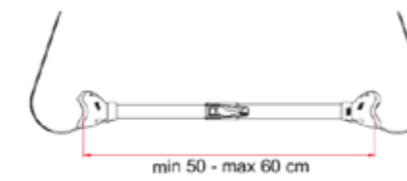


[7] Bike-Block Pro D3

min 19 cm - max 81 cm



[8] Bike Frame Adapter

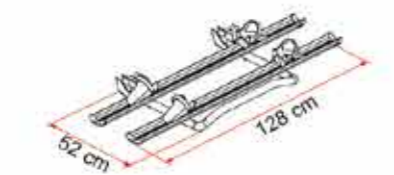
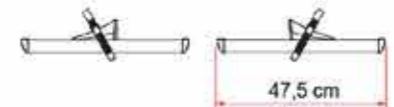


Description	Colour	Weight	Item No.
[1] Bike-Block Pro 1	anodised	0,2 kg	04133-01A
[2] Bike-Block Pro 2	anodised	0,3 kg	04133A01A
[3] Bike-Block Pro 3	anodised	0,4 kg	04133B01A
[4] Bike-Block Pro 4	anodised	0,5 kg	04133C01A
[5] Bike-Block Pro D1	anodised	0,6 kg	04133E01A
[6] Bike-Block Pro D2	anodised	0,7 kg	04133F01A
[7] Bike-Block Pro D3	anodised	0,8 kg	04133G01A
[8] Bike Frame Adapter	-	0,5 kg	06602-01-

CARRY-BIKE

ACCESSORIES

Rail



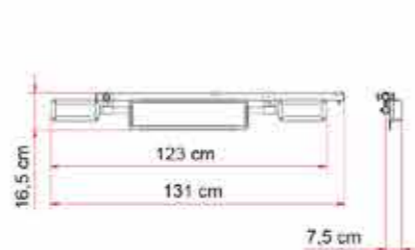
Description	Colour	Hooking type	Left-Right sliding	Back-Forward sliding	Length	Weight	Item No.
Rail Quick Pro	Anodised	Quick Safe	●	○	128 cm	1,0 kg	98656-993
	Deep Black						98656M358
Rail Strip Pro	Anodised	Strip	●	○	128 cm	1,0 kg	98656M288
Rail Quick C	Anodised	Quick Safe	●	○	89-150 cm	1,2 kg	98656-369

Rail Premium	Anodised	Premium Quick	●	○	128 cm	1,3 kg	98656M131
	Deep Black						98656M150
Rail Premium XL	Anodised	Premium Quick Premium Quick	●	○	139 cm	1,9 kg	98656M132
	Deep Black						98656M153
Rail Premium S	Anodised	Premium Quick	●	●	128 cm	1,7 kg	98656M133
	Deep Black						98656M152
Rail Premium S Fat Bike	Anodised	Premium Quick	●	●	128 cm	2,0 kg	98656M146
	Deep Black						98656M151
Kit Rail Premium 48	Anodised	Premium Quick	●	○	2 x 47,5 cm	1,2 kg	98656M087
	Deep Black						98656M147
Kit Upgrade E-Bike	Anodised	Premium Quick	●	○	128 cm	5,5 kg	98656M137
Kit Premium S	Anodised					0,3 kg	98656M134

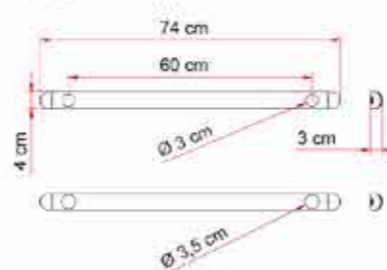
- [Awnings](#)
- [Panels and Enclosures](#)
- [Bike Carriers](#)
- [Motorhome](#)
- [Caravan](#)
- [Campervan](#)
- [Van Conversion](#)
- [SUV](#)
- [Garage](#)
- [Accessories](#)
- [Rear Boxes](#)
- [Comfort](#)
- [Rooflights](#)
- [Lighting](#)
- [Water](#)
- [Level Systems](#)
- [Organisation](#)
- [Safety](#)
- [Ladders](#)
- [Hygiene](#)
- [Vehicle Covers](#)
- [Miscellaneous](#)

## Installation Kit

[1] Licence Plate Carrier



[2] Kit Support Bar



[3] Fixing-Bar Carry-Bike



Description	[1] Licence Plate Carrier	[2] Kit Support Bar	[3] Fixing-Bar Carry-Bike
Item No.	06146C01- / 06146C01A	98656-682	98656-474
Colour	Aluminium/ Deep Black	Aluminium	Aluminium
Weight	2,4 kg	1,2 kg	5,5 kg
Length	131 cm	74 cm	240 cm

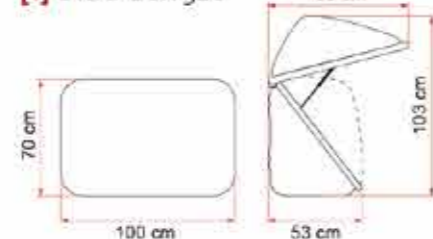
Kit Dethleffs < 2010	Kit Dethleffs > 2010	Kit Dethleffs > 2016
98656-640	98656-725	98656M296
Aluminium	Aluminium	Aluminium
0,4 kg	0,5 kg	0,5 kg
13 cm	12,5 cm	12,5 cm

For product features see p.111

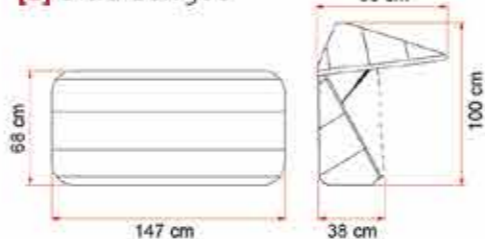
For product features see p.83

## Ultra-Box

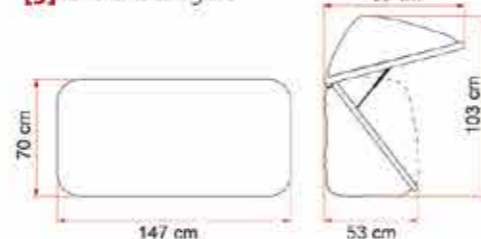
[1] Ultra-Box 320



[2] Ultra-Box 360



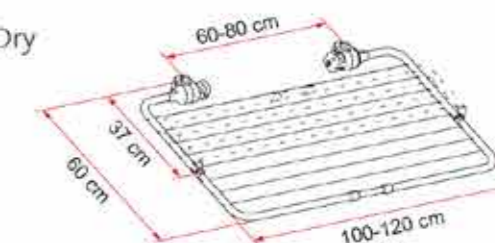
[3] Ultra-Box 500



Description	[1] Ultra-Box 320 *	[2] Ultra-Box 360 *	[3] Ultra-Box 500 *
Item No.	04147-01-	02801-01-	04148-01-
Volume	320 l	360 l	500 l
External dimensions	100x53x70 cm	147x38x68 cm	147x53x70 cm
Internal dimensions	88,5x46x62 cm	133,5x30x58 cm	133,5x46x62 cm
Weight	12,0 kg	14,0 kg	17,0 kg

## Cargo Back / Easy Dry

Easy Dry

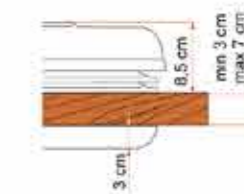
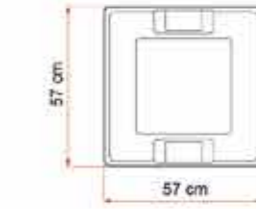
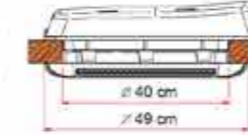
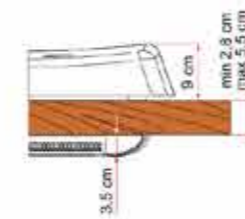
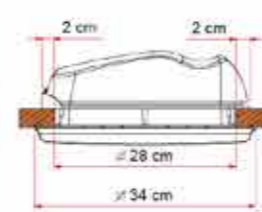
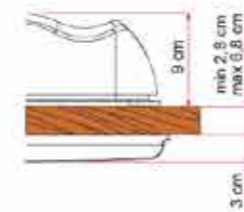


Description	Cargo Back *	Kit Frame Cargo Back	Easy Dry
Item No.	08205-01-	06106-01-	06306-01-
Volume	285 l	-	-
Dimensions	120x70x35 cm	119x69x32 cm	100x60 cm
Weight	1,4 kg	1,2 kg	1,2 kg

COMFORT

ROOFLIGHTS

## Rooflights



Description	Vent 28 F		Kit Turbo-Vent 28 F
	07902-02- White	07902-02D Crystal	07903-02-
Item No.	07902-02-	07902-02D	07903-02-
Cover	White	Crystal	-
Weight	1,8 kg		0,5 kg
Dimensions	28x28 cm		
Outside dimensions	32x34 cm		
Internal dimensions	31x34 cm		
Inside light	25x25 cm		
Roof thickness (min - max)	2,8 - 5,0 cm		
Roof thickness with Kit Extension min.-max.	5,0 - 6,8 cm		
Feeding tension	-	-	12 V
Absorbed power	-	-	25 W
Min. electric input	-	-	-
Max electric input	-	-	1,9 A
Max air flow	-	-	9 m <sup>3</sup> /min
Fan diameter	-	-	18 cm
Permanent air flow	80 cm <sup>2</sup>	-	50 cm <sup>2</sup>
Polar Control function	-	-	-
Touch function	-	-	-

Vent F Pro	Kit Turbo-Vent F Premium	Kit Turbo-Vent F
07380-02- Crystal	07501-01-	07501A01-
4,7 kg	2,0 kg	
40x40 cm	56,6x53,1x9,2 cm	
49x48,6x3,5 cm	34,4x34,4 cm	
2,8 - 5,5 cm	-	
-	-	
-	12 V	
-	36 W	
-	0,3 A	
-	3 A	
-	35 m <sup>3</sup> /min	
-	30 cm	
100 cm <sup>2</sup>	-	
-	●	●
-	●	-

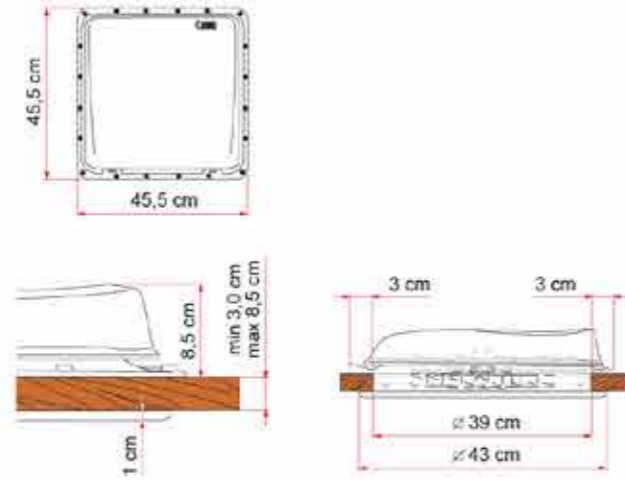
Vent 50	
01668-02- White	01668-02D Crystal
4,7 kg	
50x50 cm	
-	
3,0 - 7,0 cm	
-	
-	
-	
-	
-	
-	
150 cm <sup>2</sup>	
-	
-	



COMFORT

ROOFLIGHTS

## Rooflights



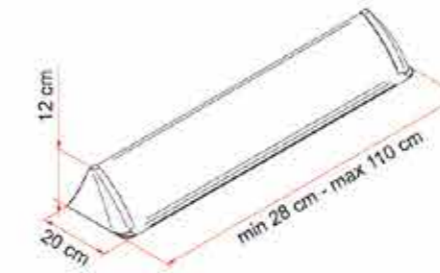
Vent		Turbo-Vent		Turbo-Vent Premium	
04329B02-	04329B02D	03624F02-	03624F02D	03624H02-	03624H02D
White	Crystal	White	Crystal	White	Crystal
2,8 kg		4,6 kg			
3,0 - 5,0 cm		3,0 - 4,5 cm		3,0 - 5,0 cm	
5,1 - 8,5 cm		4,5 - 8,5 cm		5,1 - 8,5 cm	
		12 V			
		36 W			
		0,3 A			
		3 A			
		35 m <sup>3</sup> /min			
		30 cm			
80 cm <sup>2</sup>		80 cm <sup>2</sup>			



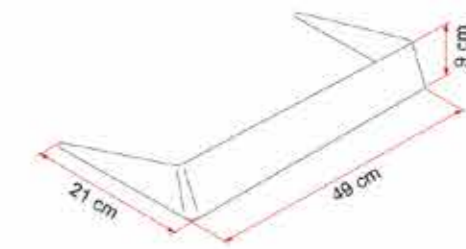
Turbo-Kit
98683-059
1,3 kg
12 V
4 W
0,20 A
0,33 A
7,2 m <sup>3</sup> /min
24 cm

## Rooflights accessories

[1] Spoiler Universal

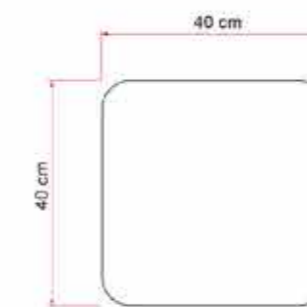


[2] Spoiler 40

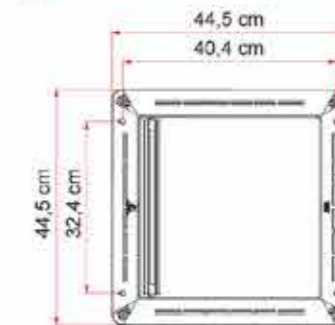


[1] Spoiler Universal	[2] Spoiler 40	[3] Thermo Vent 40	[4] Rollo Vent 40
06289-01-	03585-01-	03650A01-	06310-02-
1,4 kg	0,3 kg	0,1 kg	0,1 kg
26-110X20X12 cm	49X21X9 cm	40X40 cm	44,5X44,5cm

[3] Thermo Vent 40



[4] Rollo Vent 40



FIAMMASTORE

CARRY-BIKE

COMFORT

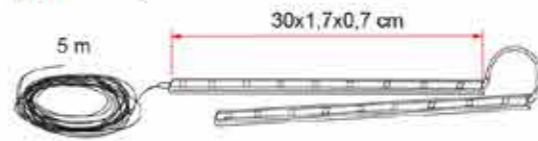
INFO

COMFORT

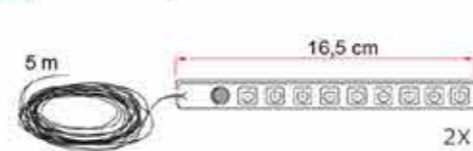
LIGHTING

## LED awning

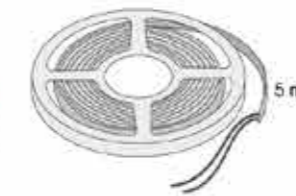
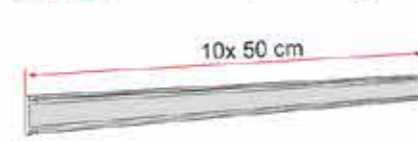
[1] Awning Arms LED



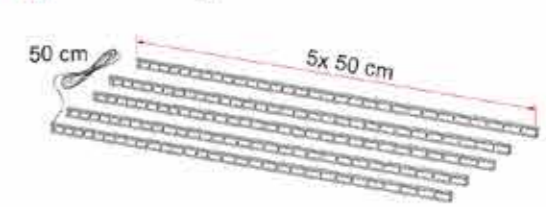
[2] Kit Awning LED



[3] - [4] Kit LED Strip Awning



[5] LED Awning Case



[6] LED Awning Case 50



[7] Rafter LED



[8] Rafter LED CaravanStore



Description	[1] Awning Arms LED	[2] Kit Awning LED	[3] Kit LED Strip Awning High Brightness	[4] Kit LED Strip Awning	[5] LED Awning Case	[6] LED Awning Case 50	[7] Rafter LED	[8] Rafter LED CaravanStore
Item No.	98655-849	98655-471	98655Z051	98655Z040	98655-914	98655-915	98655-850	98655-902
LED Colour	Cold white		Neutral white		Cold white			
Tone	6500° k		5000° k		6500° k			
Light Cone Angle	120°							
Lumen	382	170	840/m	420/m	168 / bar	168		792
N° LED	18	9	60/m	30/m	30 / bar	30		36
Feeding tension	12 V							
Absorbed power	4 W	2,4 W	48 W	24W	2,7 W / bar	2,7 W		9,7 W
Electric input	0,36 A	0,20 A	4,00 A	2,00 A	0,23 A / bar	0,23 A		0,80 A
IP degree of protection	IP 54		IP 65		IP 54			

Description	F45s	F45s VW T5/T6	F45L	F45eagle	F80s	F80L	F65s	F65L 018	F65L	F65eagle	Fiamma ZIP	CS / CS ZIP
Awning Arms LED	•	•	•	•	•	•	•	•	•	•	•	
Kit Awning LED	•	•	•	•			•				•	
Kit LED Strip Awning High Br.					•	•		•	•	•		
Kit LED Strip Awning					•	•		•	•	•		
LED Awning Case / 50	•		•	•							•	
Rafter LED	•	•	•			•	•	•	•		•	
Rafter LED Caravanstore												•

	Kit Cable Guide	Kit Cable Rail
Item No.	98655-903	98655-856
Weight	0,1 kg	

COMFORT

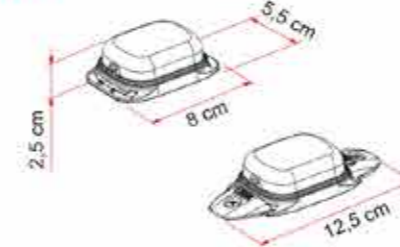
LIGHTING

## LED outdoor and garage

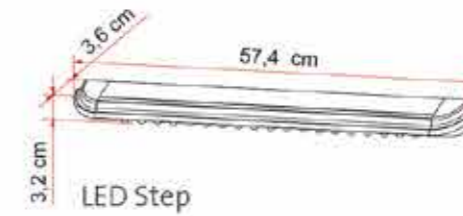
[1] LED Awning Light



[2] LED Warning Solar



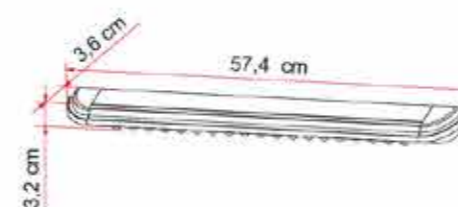
[3] LED Garage Light



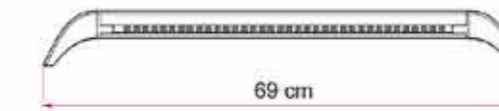
[4] LED Step



[5] LED Sensor Door Light



[6] LED Awning Light Gutter



Description	[1] LED Awning Light	[2] LED Warning Solar	[3] LED Garage Light	[4] LED Step	[5] LED Sensor Door Light	[6] LED Awning Light Gutter
Item No.	98655-848	98655-885	98655-883	98655-886	98655A884	98655-607
LED Colour	Cold white	Intermit. red			Cold white	
Tone	6500° k	-			6500° k	
Light Cone Angle			120°			
Lumen	547	-	547	145		547
N° LED	31	6	31	6		31
Feeding tension	12 V	2,4 V			12 V	
Absorbed power	7,4 W	-	7,4 W	1,7 W		7,4 W
Electric input	0,62 A	-	0,62 A	0,14 A		0,62 A
IP degree of protection	IP 54					

FIAMMA STORE

CARRY-BIKE

COMFORT

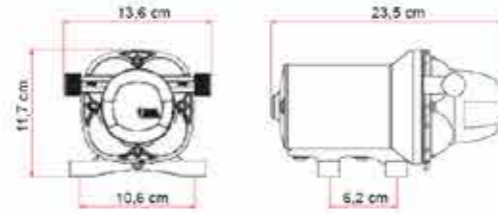
INFO

COMFORT

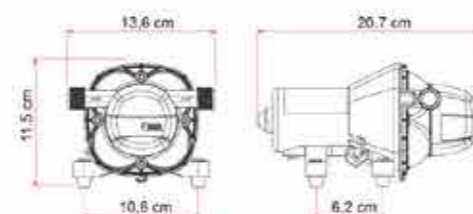
WATER

## Waterpumps and accessories

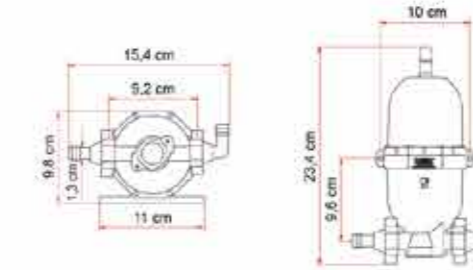
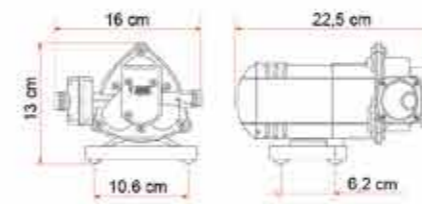
Aqua F (13 litres)



Aqua F (10 litres)



Aqua 8 (7 & 10 litres)

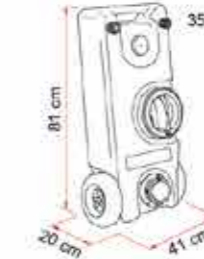
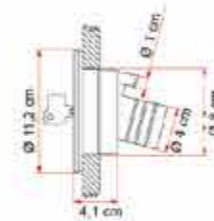
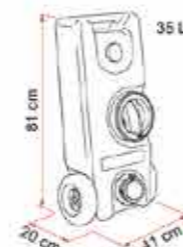


Description	Aqua F (13 litres)	Aqua F (10 litres)
Item No.	07073-01-	07073A01-
Weight	2,2 kg	1,4 kg
Power Supply	12 V	
Absorption	2,5 A	1,7 A
Max flow l/min. at 0 bar	13 l/min	10
Noise level	50 db	52 db
Pressure switch interv.	1,5 Bar - 21,7 Psi	
Section head	5 m	

Aqua 8 (7 litres)	Aqua 8 (10 litres)
01216C01-	01216B01-
1,5 kg	
12 V	
1,4 A	3,4 A
7 l/min	10 l/min
55/60 db	65/70 db
1,5 Bar - 21,7 Psi	

A20	Kit Connection Aqua F
02478-01-	98657-013
0,3 kg	0,3 kg

## Tanks and accessories



Description	Roll-Tank 23 F	Roll-Tank 40 F	Tank 70	Water Cap White	Water Cap Black	Kit bayonet cap and hose connector
Item No.	02428A01A	08307-02A	08306-01-	94715-010	94715-005	98669-004
Weight	2,4 kg	3,8 kg	4,4 kg	0,2 kg		0,08 kg
Capacity	22,5 l	35 l	65 l			

Roll-Tank 23 W	Roll-Tank 40 W	Kit Sanitary Flex	Quick Connection W
02428A01-	08307-01-	02438A01-	06497-01-
2,4 kg	3,9 kg	0,8 kg	0,2 kg
22,5 l	35 l		

- [Awnings](#)
- [Panels and Enclosures](#)
- [Bike Carriers](#)
- [Motorhome](#)
- [Caravan](#)
- [Campervan](#)
- [Van Conversion](#)
- [SUV](#)
- [Garage](#)
- [Accessories](#)
- [Rear Boxes](#)
- [Comfort](#)
- [Rooflights](#)
- [Lighting](#)
- [Water](#)
- [Level Systems](#)
- [Organisation](#)
- [Safety](#)
- [Ladders](#)
- [Hygiene](#)
- [Vehicle Covers](#)
- [Miscellaneous](#)

COMFORT

LEVELLING SYSTEMS

## Levelling systems and accessories



Description	Kit Level Up Premium *	Kit Level Up Premium S *	Level Up	Kit Level Up	Level Pro	Level System Magnum	Level System Jumbo
Item No.	97901-058	97901-062	97901-038	97901-059	97901-011	97901-015	97901-016
Colour	grey				yellow		
Dimensions	83x31x20 cm	68x28x16 cm	57x20x13 cm	57x20x13 cm	43x17x9 cm	50x20x9 cm	60x26x12 cm
Levels	3				-	-	-
Max axle weight	5,0 t				8,0 t		
Overlapping	no				yes		
Weight	3,7 kg each	2,3 kg each	1,45 kg each	1,45 kg each	0,8 kg each	1,3 kg each	2,9 kg each
Compatible with	Motorhome		Motorhome - Caravan - SUV Camper vans - Van conversions		Caravan - Camper vans	Motorhome - Caravan - SUV Camper vans - Van conversions	Motorhome
Chock Level			●	●	●	●	
Anti Slip Plate			●	●	●	●	
Level Bag Premium	●						
Level Bag		●	●	●			
Level Bag S					●	●	
Level Plate			●	●			

\* This item is not offered for sale to UK customers and must not be imported into the UK or sold to third parties in the UK.

● Standard ○ Optional



Description	Grip System	Wheel Saver
Item No.	97901-055	97901-013
Colour	grey	
Weight	0,4 kg cad.	0,6 kg cad.
Compatible with	Motorhome - Caravan - Suv Camper vans - Van conversions	Motorhome - Caravan Van conversions

Description	Chock Level	Anti Slip Plate	Level Plate	Level Bag	Level Bag S
Item No.	97901-037	97901-012	97901-041	05950A02B	05950B02B
Colour	grey				
Weight	0,1 kg	0,1 kg	0,3 kg	0,2 kg	0,2 kg
Compatible with	Level Up (Kit) - Level Pro - Level System Magnum	Level Up (Kit)- Level Pro - Level System Magnum - Wheel Saver	Level Up (Kit)	Level Up (Kit)	Level Pro - Level System Magnum - Wheel Saver

FIAMMASTORE

CARRY-BIKE

COMFORT

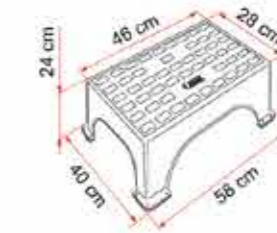
INFO

- [Awnings](#)
- [Panels and Enclosures](#)
- [Bike Carriers](#)
- [Motorhome](#)
- [Caravan](#)
- [Campervan](#)
- [Van Conversion](#)
- [SUV](#)
- [Garage](#)
- [Accessories](#)
- [Rear Boxes](#)
- [Comfort](#)
- [Rooflights](#)
- [Lighting](#)
- [Water](#)
- [Level Systems](#)
- [Organisation](#)
- [Safety](#)
- [Ladders](#)
- [Hygiene](#)
- [Vehicle Covers](#)
- [Miscellaneous](#)

COMFORT

LEVELLING SYSTEMS

## Levelling systems and accessories



Description	Alu Jacks	Plastic Jacks	Plates Pro	Plates	Step	Step Magnum
Item No.	00680-01-	00680C01G	97901-057	97901-056	02950-01-	04630-01-
Colour	aluminium			grey		
Weight	0,9 kg each	0,8 kg each	0,2 kg each	0,2 kg. each	1,0 kg	1,3 kg
Max axle weight	1000 kg each	750 kg each	-	-	150 kg	200 kg

Description	Step-Mat	Step-Mat Magnum	Clean Step Green	Clean Step Black
Item No.	06373-01-	06374-01-	04593-01-	04593-01A
Colour	black		green	black
Weight	0,4 kg	0,5 kg	0,2 kg	0,2 kg

## Organizer

Description	Item No.	Weight	Dimensions	Number of pockets	Triple Fixing	Function
Pack Organizer L	07512A01-	0,5 kg	88x39 cm	6	●	For little objects
Pack Organizer S	07512-01-	0,4 kg	50x84 cm	11	●	For little objects
Pack Organizer Toiletry	07515-01-	0,6 kg	30x37x11 cm / 30x118x11 cm	10		Container for bathroom fittings
Pack Organizer Seat	07514-01-	0,3 kg	43x66x2 cm	4		To hang up on the rear part of the seats of your vehicle
Pack Organizer Shoes	07513-01-	1,1 kg	84x54x2 cm	10	●	Container for shoes
Fix Organizer	98655-163	0,1 kg	5,5x3x1 cm	-	-	
Pack Waste	08202-01-	1,7 kg	29,5x29,5x42 cm	-	-	
Carry-Dog	08201-01-	2,8 kg	75x55x49 cm	-	-	
Pack Organizer Box	08207-01-	2,8 kg	60x36x31 cm	-	-	

COMFORT

ORGANISATION

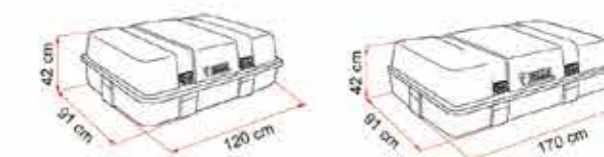
## Pocket



Description	Pocket Plus M	Pocket Plus L	Pocket M	Pocket L	Pocket XL
Item No.	08309-01-	08308-01-	03177-01-	03178-01-	03284-01-
Colour	grey		white		grey
Weight	0,1 kg	0,4 kg	0,1 kg		0,3 kg

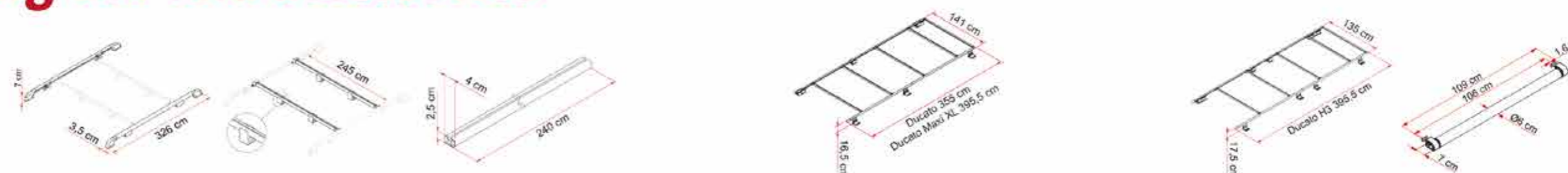
For product features see p. 140

## Ultra-Box



	Ultra-Box 2	Ultra-Box 3
Item No.	02084-01-	02085-01-
Weight	13 kg	17 kg
Volume	400 l	520 l
External dimensions	120x91x42 cm	170x91x42 cm
Internal dimensions	107,5x77,5x37,5 cm	155x77,5x37,5 cm

## Fixing-Bar and accessories



Description	Roof Rail	Fixing-Bar Rail	Fixing-Bar Pro L	Roof Rail Ducato * (h 16,5 cm)	Roof Rail Ducato * Deep Black (h 16,5 cm)	Roof Rail Ducato Maxi XL **	Roof Rail Ducato H3 ***	Roller Roof Rail
Item No.	05516-01-	98655-075	98655-295	05808-01-	05808A01A	05808-02-	05808-03-	06876-01-
Weight	4,7 kg	3,4 kg	1,5 kg	12,0 kg	12,0 kg	13,5 kg	14,2 kg	1,5 kg

For product features see p. 142- 143

Description	Kit Roof Rail Ducato Extra 16,5 cm ****	Kit Roof Rail Ducato Extra 14,5 cm ****	Kit Roof Rail Ducato Extra Cover	Kit Roof Rail Ducato Cover Left	Kit Roof Rail Ducato Cover Right
Item No.	98658-066	98658-097	98658-103	98658-101	98658-102
Bracket H	16,5 cm	14,5 cm			
Weight	1,0 kg			0,1 kg	

\* can be installed on Ducato vehicles with H2 high roof, L1, L2 and L3 lengths (to reach the desired length you can cut the 2 lateral bars, which are delivered as standard in L3 version)  
 \*\* for vehicles with H2 high roof and L4 length  
 \*\*\* version for Ducato with H3 high roof and L3 and L4 length.  
 Delivered as standard with 4 Fixing-Bar Rail  
 \*\*\*\* Additional set of 2 brackets (to use with Roof Rail Ducato Maxi XL)

FIAMMASTORE

CARRY-BIKE

COMFORT

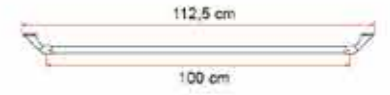
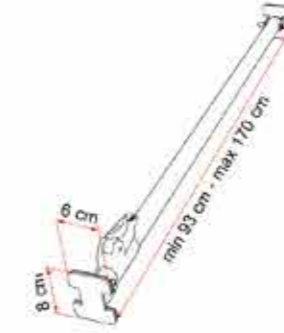
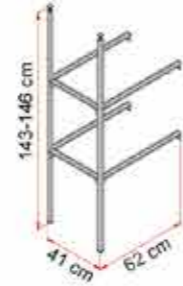
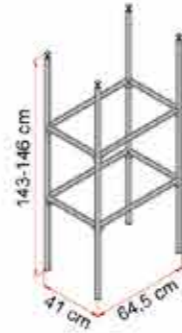
INFO

- [Awnings](#)
- [Panels and Enclosures](#)
- [Bike Carriers](#)
- [Motorhome](#)
- [Caravan](#)
- [Campervan](#)
- [Van Conversion](#)
- [SUV](#)
- [Garage](#)
- [Accessories](#)
- [Rear Boxes](#)
- [Comfort](#)
- [Rooflights](#)
- [Lighting](#)
- [Water](#)
- [Level Systems](#)
- [Organisation](#)
- [Safety](#)
- [Ladders](#)
- [Hygiene](#)
- [Vehicle Covers](#)
- [Miscellaneous](#)

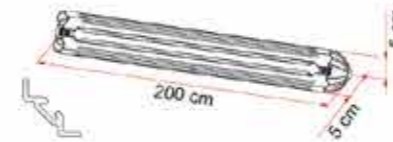
COMFORT

ORGANISATION - GARAGE

## Garage



Description	Garage System Standard	Garage System Upgrade	Garage System Support	Garage Box (3 pcs.)	Kit Garage Wall Brackets	Luggage Bar	Garage Carry-Rail
Item No.	98655-907	98655-908	98656-772	98655-909	06667-01-	05411-03-	06112-01-
Weight	5,7 kg	3,9 kg	0,9 kg	5,6 kg	0,1 kg	0,7 kg	0,5 kg
Lenght					-	min 93 cm - max 170 cm	112,5 cm



Description	Garage Bars Premium 200	Garage Bars Premium 60	Garage Bars Corner	Garage Bars	Kit Eye Premium/Corner (2 pcs.)	Kit Eye (2 pcs.)	Kit Square Plates (4 pcs.)
Item No.	98655-609	98655-608	98655-906	98655-480	98656-735	98656-494	98656-485
Weight	4,8 kg	2,2 kg	4,8 kg	3,1 kg	0,1 kg		
Kit Eye Premium/Corner	●/○		●/○				
Kit Eye				●/○			

● Standard ○ Optional

Description	Cargo Strap	Kit Cargo Accessory
Item No.	05677-01-	98656-510
Weight	0,5 kg	0,1 kg

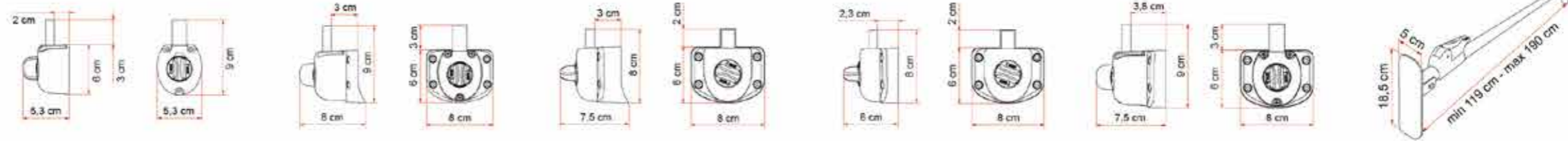
- [Awnings](#)
- [Panels and Enclosures](#)
- [Bike Carriers](#)
- [Motorhome](#)
- [Caravan](#)
- [Campervan](#)
- [Van Conversion](#)
- [SUV](#)
- [Garage](#)
- [Accessories](#)
- [Rear Boxes](#)
- [Comfort](#)
- [Rooflights](#)
- [Lighting](#)
- [Water](#)
- [Level Systems](#)
- [Organisation](#)
- [Safety](#)
- [Ladders](#)
- [Hygiene](#)
- [Vehicle Covers](#)
- [Miscellaneous](#)



COMFORT

SECURITY

## Safe Door

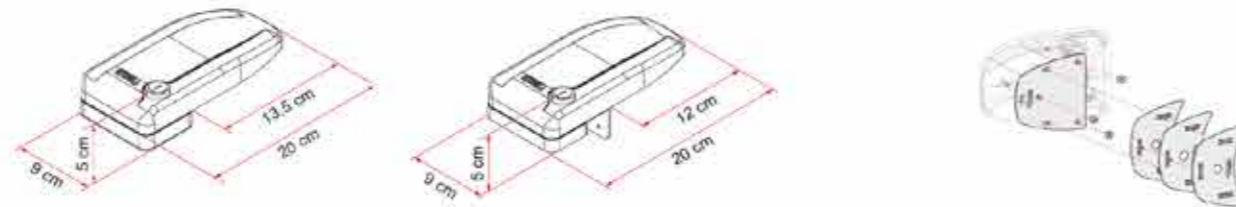


Description	Safe Door Guardian	Safe Door Guardian Ducato > 2009	Safe Door Guardian Ducato > 2006 < 2009	Safe Door Guardian Transit < 2006	Safe Door Guardian Transit > 2006 < 2014	Duo-Safe Pro
Item No.	05388-01-	05388-07-	05388-04-	05388-03-	05388-05-	05411-02-
Weight	0,3 kg	0,4 kg				1,0 kg



Description	Safe Door			Safe Door 3			Safe Door Frame			Safe Door Frame 3		
Item No.	08021-01-	08021-01G	08021-01A	08021-02-	08021-02G	08021-02A	08022-01-	08022-01G	08022-01A	08022-02-	08022-02G	08022-02A
Colour	white	grey	black	white	grey	black	white	grey	black	white	grey	black
Weight	0,6 kg			1,7 kg			0,5 kg			1,5 kg		
Door side frame	-			-			●			●		
One Key System	-			●			-			●		

● Standard



Description	Safe Door Magnum	Safe Door Magnum Frame
Item No.	08277-01-	08277A01-
Colour	white	
Weight	0,6 kg	
Door side frame	-	●
One Key System	-	-

Kit Spacer Safe Door >2017		
08230-01-	08230-01A	08230-01G
white	grey	black
0,1 kg		
-		
-		

FIAMMASTORE

CARRY-BIKE

COMFORT

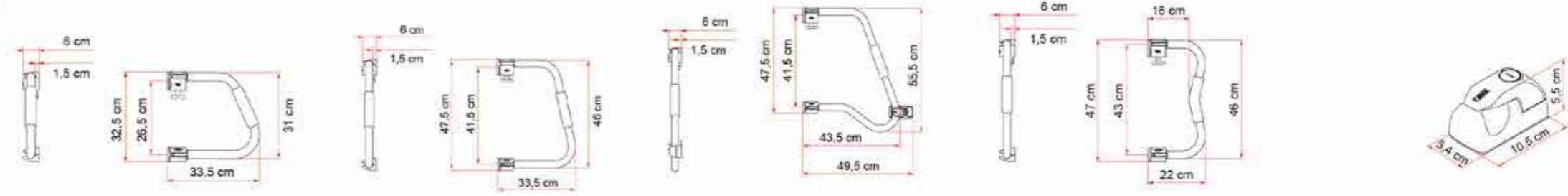
INFO

- [Awnings](#)
- [Panels and Enclosures](#)
- [Bike Carriers](#)
- [Motorhome](#)
- [Caravan](#)
- [Campervan](#)
- [Van Conversion](#)
- [SUV](#)
- [Garage](#)
- [Accessories](#)
- [Rear Boxes](#)
- [Comfort](#)
- [Rooflights](#)
- [Lighting](#)
- [Water](#)
- [Level Systems](#)
- [Organisation](#)
- [Safety](#)
- [Ladders](#)
- [Hygiene](#)
- [Vehicle Covers](#)
- [Miscellaneous](#)

COMFORT

SECURITY

## Security

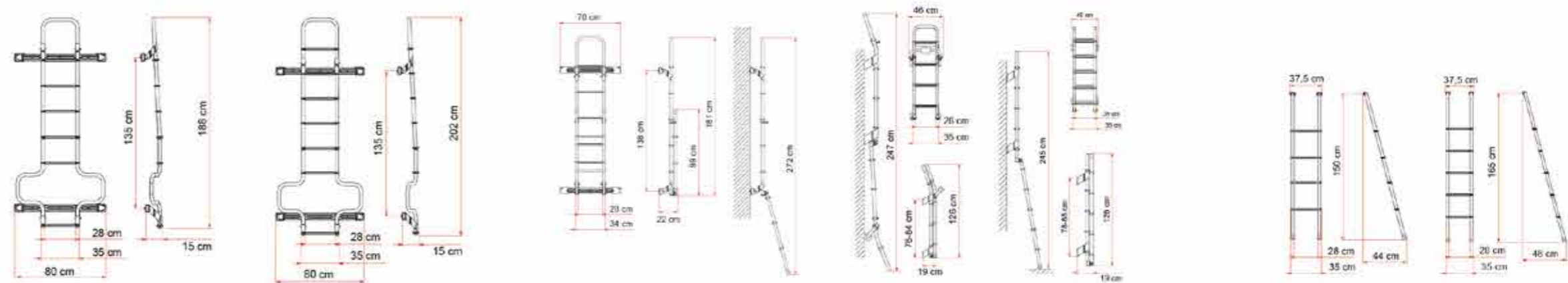


Description	Security 31	Security 46	Security 46 Pro	Security S	Kit Spacer Security Fendt	Kit Security Lock	Security Grip
Item No.	03513-01-	03513A01-	03513-04-	03513-05-	08101-01-	98656-433	07093-01-
Weight	1,1 kg	1,2 kg	1,7 kg	1,1 kg	0,2 kg	0,5 kg	0,4 kg
Colour	white				black	white	black
Kit Security Lock	○	○	●	○			
Security Grip	●	●	●	●			

● Standard ○ Optional

For product features see p.148

## Deluxe



Description	Deluxe DJ Ducato	Deluxe DJ Ducato DB	Deluxe DJ Ducato H3	Deluxe DJ Ducato H3 - DB	Deluxe Sprinter	Deluxe Sprinter DB	Deluxe 8	Deluxe 5D	Safe Ladder	Deluxe 4B	Deluxe 5B
Item No.	02426-09A	02426A09A	02426-17A	02426A17A	02426-19A	02426A19A	02426-02A	02426-08A	98656-480	02426-12-	02426-13-
Weight	6,5 kg		6,9 kg		7,0 kg		5,5 kg	4,9 kg	1,3 kg	2,4 kg	2,6 kg
Colour	aluminium	black	aluminium	black	aluminium	black	aluminium	aluminium	aluminium	aluminium	aluminium
Number of steps	6		7		8		8	10	-	4	5
Folding					●	●	●	●			

## COMFORT

### Cover

Description	Cover Premium M (up to 7,1 m)	Cover Premium L (up to 8 m)	Cover Top
Item No.	07916-01-	07917-01-	04932-01-
Weight	10,0 kg	11,0 kg	6,0 kg

Description	Thermoglas XXL Ducato > 2006	Thermoglas Ducato Windscreen	Thermo Wall Ducato Cabin >2006
Item No.	06344A01-	08041-01-	06585A01-
Weight	11,0 kg	5,0 kg	1,8 kg

Description	Coverglas XL Ducato > 2006	Coverglas VW T5/T6	Coverglas Ford Transit
Item No.	06344-01-	06344B01-	06344C01-
Weight	3,5 kg	3,5 kg	3,5 kg

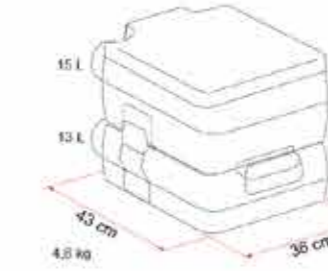
For product features see p. 154

### Bi-Pot

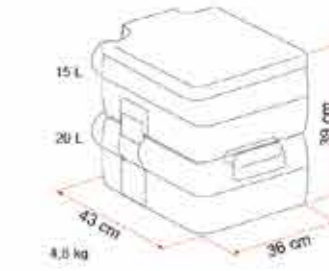
Bi-Pot 30 SMALL



Bi-Pot 34 MEDIUM



Bi-Pot 39 LARGE



Description	Bi-Pot 30	Bi-Pot 34	Bi-Pot 39
Item No.	01356-01-	01354-01-	01355-01-
Weight	4,0 kg	4,3 kg	4,4 kg
Upper tank	10 l	15 l	15 l
Lower tank	11 l	13 l	20 l
Dimensions	43x34x30h cm	43x36x34h cm	43x36x39h cm
Colour	white		

For product features see p. 152

### Hygiene

Description	Super Kem Blue	Super Kem Sachets	Super Rinse	Soft 6
Item No.	97310-022	97310-023	97310-080	97312-010
Weight	2,0 kg	0,5 kg	0,7 kg	0,7 kg
Quantity	2 l	15 sachets	1 l	6 roll pack

Pocket Kassett	Dispenser	Toilet Brush Pro	Toilet Brush	Bidet Universal	Bidet 200
06339-01-	04777-01-	98659-035	98659-025	03483-01-	03483A01-
0,2 kg	0,2 kg	0,2 kg	0,1 kg	0,3 kg	0,3 kg
-	0,2 l	-	-	-	-

For product features see p. 152



COMFORT

## Miscellaneous

Description	Moskito Net Pro	Moskito Net	Drip Stop 75			Drip Stop 200	Drip Stop 300		Drip Stop 500	Drip Stop 1000	
Item No.	07485-01-	03508-01-	03922-01-	03922-01G	03922-01A	03922E01A	03922A01-	03922A01G	03922F01A	03922D01-	03922D01G
Colour	-	-	white	grey	black	black	white	grey	black	white	grey
Weight	0,6 kg	0,5 kg	0,2 kg			0,6 kg	0,8 kg		1,2 kg	2,5 kg	

Description	Tube Pro	Tripod Pro	Conic Connection	Recessed Connection	Cap	Adapter Tube Pro	Mud Flap Front	Mud Flap Rear	Door Holder	Omni Stop
Item No.	06375A01-	06362-01-	C5063-01-	C0331-01-	02411-01B	98655-605	06606-01-	06607-01-	04663-01A	04912-01-
Weight	0,7 kg	1,0 kg	0,2 kg	0,1 kg			1,2 kg	1,2 kg	0,1 kg	0,1 kg

- [Awnings](#)
- [Panels and Enclosures](#)
- [Bike Carriers](#)
- [Motorhome](#)
- [Caravan](#)
- [Campervan](#)
- [Van Conversion](#)
- [SUV](#)
- [Garage](#)
- [Accessories](#)
- [Rear Boxes](#)
- [Comfort](#)
- [Rooflights](#)
- [Lighting](#)
- [Water](#)
- [Level Systems](#)
- [Organisation](#)
- [Safety](#)
- [Ladders](#)
- [Hygiene](#)
- [Vehicle Covers](#)
- [Miscellaneous](#)